

ARBORTECH™

MULTI PURPOSE TOOL

POWER CARVING UNIT ANGLE GRINDER

INSTRUCTION MANUAL

PWC.SA.900.60



Double Insulated



Nos produits et emballages se recyclent, ne les jetez pas!
Trouvez où les déposer sur le site
www.quefairedemesdechets.fr



PAP
Raccolta differenziata.
Verifica le disposizioni
del tuo Comune

TABLE OF CONTENTS

ENGLISH	1
CZECH	8
DANISH	15
DUTCH	22
FRENCH	30
GERMAN	37
ITALIAN	44
POLISH.....	51
SLOVENIA	58
SPANISH	65



Fig. B

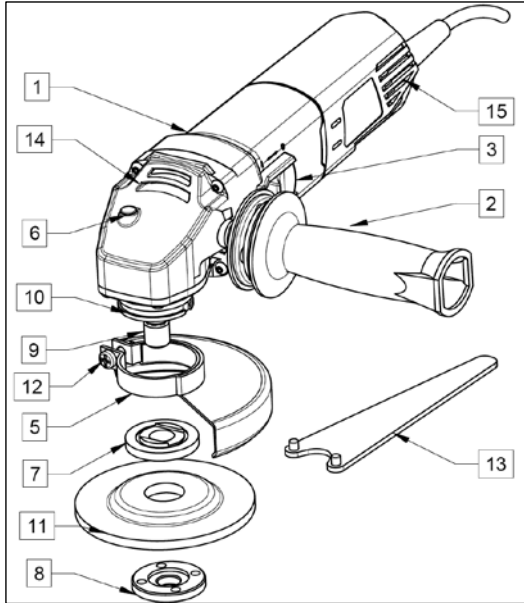


Fig. A

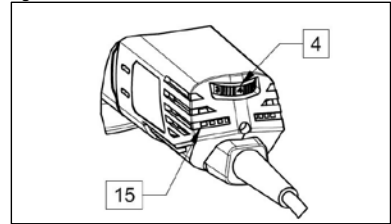


Fig. C

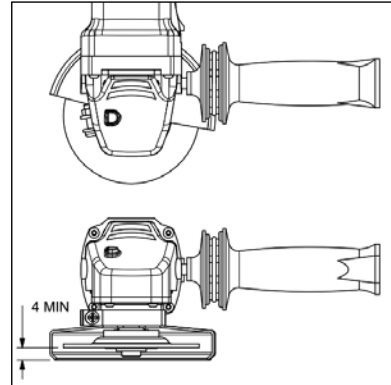


Fig. E

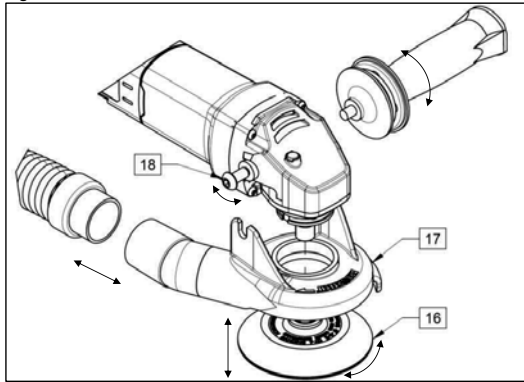
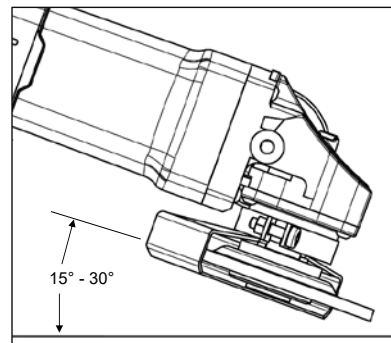


Fig. D



1	Angle Grinder Body	7	Backing Flange	13	Pin Spanner
2	Auxiliary Handle	8	Locking Nut	14	Front Vents
3	On/Off Switch	9	Spindle	15	Rear Vents
4	Speed Setting Dial	10	Grinder Collar	16	Sanding Pad
5	Metal Guard	11	Grinding Disc	17	Chip Catcher
6	Spindle Lock Button	12	Guard Clamping Screw	18	Side Screw



GENERAL POWER TOOL SAFETY WARNINGS



WARNING - READ ALL SAFETY WARNINGS, INSTRUCTIONS, ILLUSTRATIONS AND SPECIFICATIONS PROVIDED WITH THIS POWER TOOL.

Failure to follow all instructions listed below, may result in electric shock, fire and/or personal injury.

SAVE ALL WARNINGS AND INSTRUCTIONS FOR FUTURE REFERENCE.

The term "power tool" in the warnings refers to your mains-operated (corded) power tool or battery-operated (cordless) power tool.

1) WORK AREA SAFETY

- Keep work area well ventilated, clean and well lit.** Cluttered or dark areas invite accidents.
- Do not operate power tools in explosive atmospheres, such as in the presence of flammable liquids, gases or dust.** Power tools create sparks which may ignite the dust or fumes.
- Keep children and bystanders away while operating a power tool.** Distractions can cause you to lose control.

2) ELECTRICAL SAFETY

- Power tool plugs must match the outlet.** Never modify the plug in any way. Do not use any adapter plugs with earthed (grounded) power tools. Unmodified plugs and matching outlets will reduce risk of electric shock.
- Avoid body contact with earthed or grounded surfaces, such as pipes, radiators, ranges and refrigerators.** There is an increased risk of electric shock if your body is earthed or grounded.
- Do not expose power tools to rain or wet conditions. Water entering a power tool will increase the risk of electric shock.**
- Do not abuse the cord. Never use the cord for carrying, pulling, or unplugging the power tool. Keep cord away from heat, oil, sharp edges or moving parts.** Damaged or entangled cords increase the risk of electric shock.

- When operating a power tool outdoors, use an extension cord suitable for outdoor use.** Use of a cord suitable for outdoor use reduces the risk of electric shock.
- If operating a power tool in a damp location is unavoidable, use a residual current device (RCD) protected supply.** Use of an RCD reduces the risk of electric shock.

3) PERSONAL SAFETY

- Stay alert, watch what you are doing and use common sense when operating a power tool. Do not use a power tool while you are tired or under the influence of drugs, alcohol or medication.** A moment of inattention while operating power tools may result in serious personal injury.
- Use personal protective equipment. Always wear eye protection.** Protective equipment such as dust mask, non-skid safety shoes, hard hat or hearing protection used for appropriate conditions will reduce personal injuries.
- Prevent unintentional starting. Ensure the switch is in the off-position before connecting to a power source and/or battery pack, picking up or carrying the tool.** Carrying power tools with your finger on the switch or energizing power tools that have the switch on invites accidents.
- Remove any adjusting key or wrench before turning the power tool on.** A wrench or a key left attached to a rotating part of the power tool may result in personal injury.
- Do not overreach. Keep proper footing and balance at all times.** This enables better control of the power tool in unexpected situations.
- Dress properly. Do not wear loose clothing or jewellery. Keep your hair, clothing and gloves away from moving parts.** Loose clothes, jewellery or long hair can be caught in moving parts.
- If devices are provided for the connection of dust extraction and collection facilities, ensure these are connected and properly used.** Use of dust collection can reduce dust-related hazards.
- Do not let familiarity gained from frequent use of tools allow you to become complacent and ignore tool safety.** A careless action can cause severe injuries within a fraction of a second.

4) POWER TOOL USE AND CARE

- Do not force the power tool. Use the correct tool for your application.** The correct power tool will do the job better and safer at the rate for which it was designed.
- Do not use the tool if the switch does not turn it on and off.** Any power tool that cannot be controlled with the switch is dangerous and must be repaired.

- c. **Disconnect the plug from the power source and/or the battery pack from the power tool before making any adjustments, changing accessories, or storing power tools.** Such preventative safety measures reduce the risk of starting the power tool accidentally.
 - d. **Store idle power tools out of the reach of children and do not allow persons unfamiliar with the power tool or these instructions to operate the power tool.** Power tools are dangerous in the hands of untrained users.
 - e. **Maintain power tools and accessories. Check for misalignment or binding of moving parts, breakage of parts and any other condition that may affect the power tools operation. If damaged, have the power tool repaired before use.** Many accidents are caused by poorly maintained power tools.
 - f. **Keep cutting tools sharp and clean.** Properly maintained cutting tools with sharp edges are less likely to bind and are easier to control.
 - g. **Use the power tool, accessories and tool bits etc. in accordance with these instructions, taking into account the working conditions and the work to be performed.** Use of the power tool for operations different from those intended could result in a hazardous situation.
 - h. **Keep handles and grasping surfaces dry, clean and free from oil and grease.** Slippery handles and grasping surfaces do not allow for safe handling and control of the tool in unexpected situations.
- c. **Do not use accessories which are not specifically designed and recommended by the tool manufacturer.** Just because the accessory can be attached to your power tool, it does not assure safe operation.
 - d. **The rated speed of the accessory must be at least equal to the maximum speed marked on the power tool.** Accessories running faster than their rated speed can break and fly apart.
 - e. **The outside diameter and the thickness of your accessory must be within the capacity rating of your power tool.** Incorrectly sized accessories cannot be adequately guarded or controlled.
 - f. **Threaded mounting of accessories must match the grinder spindle thread. For accessories mounted by flanges, the arbour hole of the accessory must fit the locating diameter of the flange.** Accessories that do not match the mounting hardware of the power tool will run out of balance, vibrate excessively and may cause loss of control.
 - g. **Do not use a damaged accessory. Before each use inspect the accessory such as abrasive wheels for chips and cracks, backing pad for cracks, tear or excess wear. If power tool or accessory is dropped, inspect for damage or install and undamaged accessory. After inspecting and installing an accessory, position yourself and bystanders away from the plane of the rotating accessory and run the power tool at maximum no-load speed for one minute.** Damaged accessories will normally break apart during this test time.

5) SERVICE

- a. **Have your power tool serviced by a qualified repair person using only identical replacement parts.** This will ensure that the safety of the power tool is maintained.

ANGLE GRINDER SAFETY WARNINGS

6) SAFETY WARNINGS COMMON FOR GRINDING AND SANDING OPERATIONS:

- a. **This power tool is intended to function as a grinder or sander. Read all safety warnings, instructions, illustrations and specifications provided with this power tool.** Failure to follow all instructions listed below may result in electric shock, fire and/or serious injury.
- b. **Operations such as wire brushing or cut-off operations are not recommended to be performed with this power tool.** Operations for which the power tool was not designed may create a hazard and cause personal injury.
- h. **Wear personal protective equipment. Depending on application, use face shield, safety goggles or safety glasses. As appropriate, wear dust mask, hearing protectors, gloves and workshop apron capable of stopping small abrasive or workpiece fragments.** The eye protection must be capable of stopping flying debris generated by various operations. The dust mask or respirator must be capable of filtering particles generated by your operation. Prolonged exposure to high intensity noise may cause hearing loss.
- i. **Keep bystanders a safe distance away from work area. Anyone entering the work area must wear personal protective equipment.** Fragments of workpiece or of a broken accessory may fly away and cause injury beyond immediate area of operation.
- j. **Hold the power tool by insulated gripping surfaces only, when performing an operation where the cutting accessory may contact hidden wiring or its own cord.** Cutting accessory contacting a "live" wire may make exposed metal parts of the power tool "live" and could give the operator an electric shock.

- k. **Position the cord clear of the spinning accessory.** If you lose control, the cord may be cut or snagged and your hand or arm may be pulled into the spinning accessory.
 - l. **Never lay the power tool down until the accessory has come to a complete stop.** The spinning accessory may grab the surface and pull the power tool out of your control.
 - m. **Do not run the power tool while carrying it at your side.** Accidental contact with the spinning accessory could snag your clothing, pulling the accessory into your body.
 - n. **Regularly clean the power tool's air vents.** The motor's fan will draw the dust inside the housing and excessive accumulation of powdered metal may cause electrical hazards.
 - o. **Do not operate the power tool near flammable materials.** Sparks could ignite these materials.
 - p. **Do not use accessories that require liquid coolants.** Using water or other liquid coolants may result in electrocution or shock.
- d. **Use special care when working corners, sharp edges etc. Avoid bouncing and snagging the accessory.** Corners, sharp edges or bouncing have a tendency to snag the rotating accessory and cause loss of control or kickback.
 - e. **Do not attach a saw chain wood carving blade or toothed saw blade.** Such blades create frequent kickback and loss of control.
 - f. **Do not attach reinforced abrasive cut-off wheel.** Such tools can break-off and cause injuries.

8) SAFETY WARNINGS SPECIFIC FOR GRINDING OPERATIONS:

- a. **Use only wheel types that are recommended for your power tool and the specific guard designed for the selected wheel.** Wheels for which the power tool was not designed cannot be adequately guarded and are unsafe.
- b. **The grinding surface of centre depressed wheels must be mounted below the plane of the guard lip.** An improperly mounted wheel that projects through the plane of the guard lip cannot be adequately protected.
- c. **The guard must be securely attached to the power tool and positioned for maximum safety, so the least amount of wheel is exposed towards the operator.** The guard helps to protect the operator from broken wheel fragments, accidental contact with wheel and sparks that could ignite clothing.
- d. **Wheels must be used only for recommended applications. For example: do not grind with the side of cut-off wheel.** Abrasive cut-off wheels are intended for peripheral grinding, side forces applied to these wheels may cause them to shatter.
- e. **Always use undamaged wheel flanges that are of correct size and shape for your selected wheel.** Proper wheel flanges support the wheel thus reducing the possibility of wheel breakage. Flanges for cut-off wheels may be different from grinding wheel flanges.
- f. **Do not use worn down wheels from larger power tools.** Wheel intended for larger power tool is not suitable for the higher speed of a smaller tool and may burst.

9) ADDITIONAL SAFETY WARNINGS SPECIFIC FOR SANDING OPERATIONS:

- a. **Do not use excessively oversized sanding disc paper.** Follow manufacturers recommendations, when selecting sanding paper. Larger sanding paper extending beyond the sanding pad presents a laceration hazard and may cause snagging, tearing of the disc or kickback.

7) KICKBACK AND RELATED WARNINGS

Kickback is a sudden reaction to a pinched or snagged rotating wheel, backing pad, brush or any other accessory. Pinching or snagging causes rapid stalling of the rotating accessory which in turn causes the uncontrolled power tool to be forced in the direction opposite of the accessory's rotation at the point of the binding.

For example, if an abrasive wheel is snagged or pinched by the workpiece, the edge of the wheel that is entering into the pinch point can dig into the surface of the material causing the wheel to climb out or kick out. The wheel may either jump toward or away from the operator, depending on direction of the wheel's movement at the point of pinching. Abrasive wheels may also break under these conditions. Kickback is the result of power tool misuse and/or incorrect operating procedures or conditions and can be avoided by taking proper precautions as given below.

- a. **Maintain a firm grip on the power tool and position your body and arm to allow you to resist kickback forces. Always use auxiliary handle, if provided, for maximum control over kickback or torque reaction during start-up.** The operator can control torque reactions or kickback forces, if proper precautions are taken.
- b. **Never place your hand near the rotating accessory.** Accessory may kickback over your hand.
- c. **Do not position your body in the area where power tool will move if kickback occurs.** Kickback will propel the tool in direction opposite to the wheel's movement at the point of snagging.

- b. **Adjust the speed as recommended for sanding applications.** High speed sanding presents laceration and burning hazard.

ADDITIONAL SAFETY WARNINGS



Wear hearing protection; Wear eye protection; Wear dust mask; Wear protective gloves.

- a. **Use suitable detectors to determine if utility lines are hidden in the work area or call the local utility company for assistance.** Contact with electric lines can lead to fire and electric shock. Damaging a gas line can lead to explosion. Penetrating a water line causes property damage or may cause an electric shock.
- b. **Release the On/Off switch and set it to the off position when the power supply is interrupted,** e. g., in case of a power failure or when the mains plug is pulled.
- c. **Do not touch grinding and cutting discs before they have cooled down.** The discs can become very hot while working.
- d. **Secure the workpiece.** A workpiece clamped with clamping devices or in a vice is held more secure than by hand.

PRODUCT DESCRIPTION AND SPECIFICATIONS



Read all safety warnings and all instructions. Failure to follow the warnings and instructions may result in electric shock, fire and/or serious injury.

INTENDED USE

The machine is designed for grinding and sanding applications. The machine is designed and constructed for use with attachments supplied by the manufacturer. The machine can only be used for dry applications without use of water.


10) CE - DECLARATION OF CONFORMITY:

Arbortech declares that the product PWC.FG.900.60 described in this manual under "Technical Specifications" is manufactured in compliance with EN 60745 standardised documents, EMC 2014/30/EU and RoHS 2011/65/EU directives.

Technical file in conformity with Machinery Directive 2006/42/EC at: Arbortech PTY LTD | 67 Westchester Road, Malaga, WA 6090


Sven Bliks
General Manager

Voltage	230-240	V
Power Rating	1000	W
Frequency	50	Hz
Protection Class	II	II
Rated Speed	2 000 – 12 000	rpm
Tool Max. Diameter	115	mm
Mounting Bore Size	22.2	mm
Mounting Thread Size	M14	-
Weight	2.35	kg
Vibration Emission (k=1.5)	9.58	m/s ²
Sound Pressure Level	$L_{WA} = 90$ $K_{WA} = 3$	dB(A)
Sound Power Level	$L_{WA} = 101$ $K_{WA} = 3$	dB(A)

 **WARNING:** The declared vibration emission level represents the main applications of the tool. However if the tool is used for different applications, with different accessories or insertion tools or is poorly maintained, the vibration emission may differ. This may significantly increase the exposure level over the total working period.

An estimation of the level of exposure to vibration should also take into account the times when the tool is switched off or when it is running but not actually doing the job. This may significantly reduce the exposure level over the total working period. Identify additional safety measures to protect the operator from the effects of vibration.

ASSEMBLY

 **WARNING:** To reduce the risk of serious personal injury, turn the tool off and disconnect from the power source before making any adjustments or removing/installing tools or accessories.

AUXILIARY HANDLE

Screw the handle (2) into one of the side holes on the head of the grinder as shown in Fig. B. Ensure the handle is secure before use.

METAL GUARD

When using a grinding wheel, first install the metal guard (5) over the collar (10) and rotate the guard on the tool so that the closed side of the guard always points toward the operator as shown in Fig. C. Tighten the screw (12) so the guard cannot move out of position.

FLANGES AND WHEELS


Mount the backing flange (7) onto the spindle (9) with the slot orientated so that it interlocks with the spindle. Fit the disc, ensuring it sits correctly onto the flange, then screw on the lock nut (8). Press the spindle lock (6) and tighten the lock nut using the pin spanner (13).

For installation and operation of other Arbortech accessories please refer to their dedicated instructions.

CHIP CATCHER AND SANDING PAD


When using a Sanding pad, first install the Chip catcher (17) over the collar (10), then tighten up the auxiliary handle (2) and side screw (18). Tighten up the sanding pad (16) over the spindle without the backing flange.

OPERATION

 **WARNING:** Always read the safety instructions and applicable regulations. To reduce the risk of injury, turn the tool off and disconnect from power source before making any adjustments or removing/installing accessories

- The electric motor has been designed for the voltage stated on the label.** Always check the power supply corresponds to the voltage marked on the motor.
- Always wear correct safety clothing, including ear, eye and lung protection.**
- Follow local government safety regulations when working on materials treated with or containing toxic substances.**
- Do not use this tool in wet conditions or in the presence of flammable liquids and gases.**
- Check tool before using.** The grinding disc must be mounted properly and be able to move freely. Test run the power tool with no load prior to use. Do not use damaged, out of centre or vibrating tools.
- Do no exert pressure or strain the machine so heavily that it comes to a standstill.** After heavily straining the power tool, continue to run it at no load for a minute to cool down the accessory.
- Do not touch cutting tools before they have**

cooled down. The discs can become very hot while working.

 **WARNING:** Always use two hands to operate this power tool, placing the left hand on the auxiliary handle and the right on the tool body so you can switch the motor on and off at any time. Always use protective gloves while operating this tool.


Ensure an appropriate speed setting is selected for the application from the table below. Support and secure the workpiece to prevent movement and loss of control.

Ensure the machine is running before contacting the work piece. Approach the workpiece with caution to avoid sudden grabbing and gently push against it. Hold the grinder at an angle of 15°-30° for grinding and 5°-30° for sanding, as shown in Fig. D. Move the tool in the desired direction, keeping contact between the workpiece and the disc.


Accessory	Speed Setting	Application
Grinding Disc	5 – 6	Grinding
Sanding Pad	1 – 3	Sanding wood, metal and other materials. Use lower speed with higher grit sand paper

SWITCHING ON AND OFF

To start the power tool, push the On/Off switch (3) forward. To lock the switch, press it down at the front until it latches. To switch off the tool, release the On/Off switch or, if it is locked, briefly push down the back of the switch and release.

 **WARNING:** The tool includes a restart prevention feature, which prevents uncontrolled restarting after an interruption to the power supply. To resume operation, switch the tool to the off position and start the machine again.

MAINTENANCE

 **WARNING:** Before any adjustment, cleaning or maintenance work on the machine itself, disconnect from the power supply.

Inspect the accessories for damage and maintain them as specified in their user manual. If the guard is broken or parts of the guard become loose and can be detached, replace damaged parts. Do not use the tool without the appropriate guard specified for the intended application.

For your safety and the reliability of this product, all electrical repair and maintenance of the internal parts, other than maintaining accessories and attachments, should be carried out by Arbortech authorised service centres.

CLEANING THE AIR VENTS AND SWITCH

Regularly check to see if any dust or foreign matter has entered the air vents, positioned on the front and back of the motor (14 and 15), or under the On/Off switch. If so, use a soft brush to remove any accumulated dust to clean the air vents and switch. Clean the accessories from dust to prevent build up and avoid incorrect mounting, setup and adjustments.

OPTIONAL ACCESSORIES

To avoid the risk of injuries or damaging your tool, use only Arbortech recommended accessories and attachments. Consult your dealer for availability of optional accessories.

Fig. B

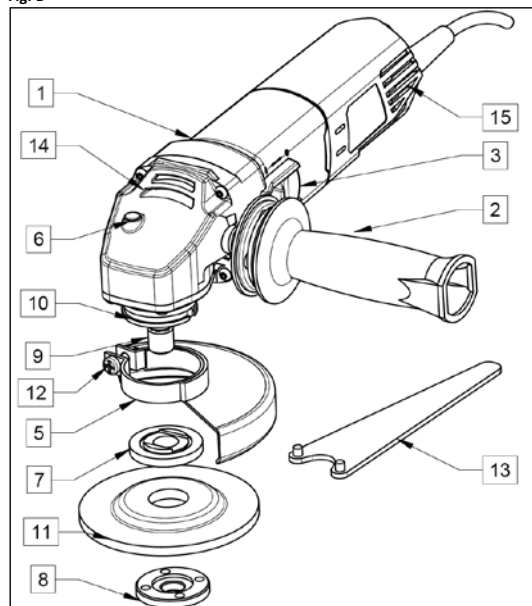


Fig. E

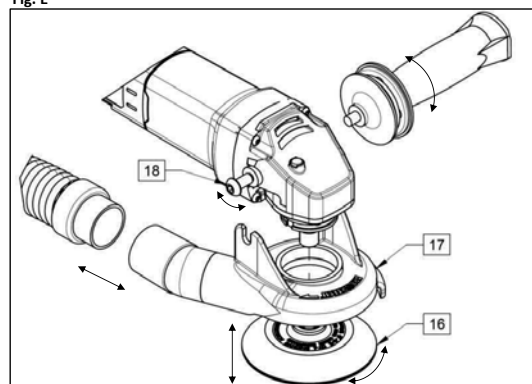


Fig. A

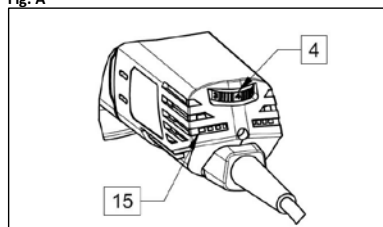


Fig. C

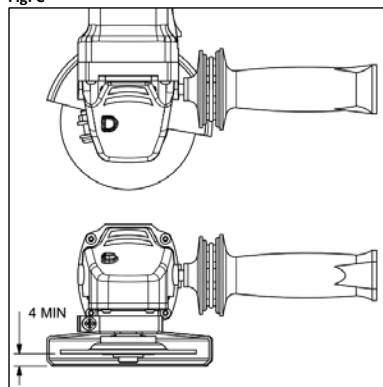
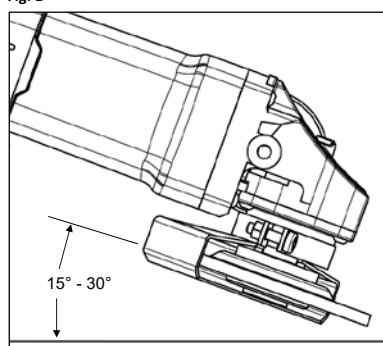


Fig. D



1	Hlavní část (tělo) úhlové brusky	7	Podpůrná příruba	13	Kolíkový klíč
2	Pomocná rukojeť	8	Pojistná matice	14	Přední větrací otvory
3	Spínač zap./vyp.	9	Vřeteno	15	Zadní větrací otvory
4	Číselník pro nastavení rychlosti	10	Objímka brusky	16	Brusná podložka
5	Kovový ochranný kryt	11	Brusný kotouč	17	Chip Catcher
6	Tlačítko zámku vřetena	12	Ochranný upínací šroub	18	Boční šroub



VŠEOBECNÁ BEZPEČNOSTNÍ VAROVÁNÍ PRO ELEKTRICKÉ NÁŘADÍ



**UPOZORNĚNÍ -
PŘOSTUDUJTE SI
VŠECHNA BEZPEČNOSTNÍ
UPOZORNĚNÍ, POKYNY,
ILUSTRACE A SPECIFIKACE
DODÁVANÉ S TÍMTO
ELEKTRICKÝM NÁSTROJEM.**

Nedodržení všech níže uvedených pokynů může mít za následek úraz elektrickým proudem, požár anebo zranění osob.

USCHOVEJTE SI VŠECHNA VAROVÁNÍ A POKYNY PRO BUDOUCÍ POUŽITÍ

Termín "elektrické nářadí" ve varováních se týká elektrického nářadí napájeného ze sítě (pomocí napájecího kabelu) nebo elektrického nářadí napájeného prostřednictvím bateriového modulu (bez kabelu).

1) BEZPEČNOST PRACOVNÍHO PROSTORU

- Pracovní prostor udržujte dobře větraný, čistý a dobře osvětlený.** Tam, kde je nepořádek nebo neosvětlená místa, dochází často k úrazům.
- Neppracujte s elektrickým nářadím ve výbušném prostředí, například v přítomnosti hořlavých kapalin, plynů nebo prachu.** Elektrické nářadí vytváří jiskry, které mohou zapálit prach nebo výpary.
- Při práci s elektrickým nářadím dávejte pozor, aby děti a okolostojící osoby byly v bezpečné vzdálenosti.** Rozptýlení může způsobit, že ztratíte kontrolu

2) ELEKTRICKÁ BEZPEČNOST

- Zástrčky elektrického nářadí musí odpovídat zásuvce. Nikdy zástrčku žádným způsobem neupravujte. U uzemněného (ukostřeného) elektrického nářadí nepoužívejte zásuvkové adaptéry (rozbočovací zásuvky).** Neupravené zástrčky a odpovídající zásuvky snižují riziko úrazu elektrickým proudem.
- Vyhnete se kontaktu těla s uzemněnými povrchy, jako jsou potrubí, radiátory, sporáky a chladničky.** Existuje zvýšené riziko úrazu elektrickým proudem, pokud je vaše tělo uzemněno.

- Nevystavujte elektrické nářadí dešti ani vlhkému prostředí.** Vniknutí vody do elektrického nářadí zvýší riziko úrazu elektrickým proudem
- Nepoužívejte kabel k jinému účelu. Kabel nikdy nepoužívejte k přenášení, tahání nebo odpojování elektrického nářadí. Chraňte kabel před horkem, olejem, ostrými hranami nebo pohyblivými díly.** Poškozené nebo zapletené kabely zvyšují riziko úrazu elektrickým proudem.
- Při práci s elektrickým nářadím ve venkovním prostředí používejte prodlužovací kabel vhodný pro venkovní použití.** Použití kabelu vhodného pro venkovní použití snižuje riziko úrazu elektrickým proudem.
- Pokud je použití elektrického nářadí ve vlhkém prostředí nevyhnutelné, použijte napájecí zdroj chráněný proti zbytkovému proudu (RCD).** Použití zdroje chráněného proti zbytkovému proudu (RCD) snižuje riziko úrazu elektrickým proudem.

3) OSOBNÍ BEZPEČNOST

- Při používání elektrického nářadí buďte opatrní, sledujte, co děláte a používejte zdravý rozum. Nepoužívejte elektrické nářadí, pokud jste unavení/a nebo pod vlivem drog, alkoholu nebo léků.** Chvilka nepozornosti při používání elektrického nářadí může způsobit vážné zranění.
- Používejte osobní ochranné pomůcky. Vždy používejte ochranu očí.** Ochranné prostředky, jako je ochranná maska proti prachu, protiskluzová bezpečnostní obuv, ochranný klobouk nebo ochrana sluchu používaná pro vhodné podmínky, snižují riziko poranění.
- Zabraňte náhodnému spuštění. Před připojením k napájecímu zdroji a/nebo bateriovému modulu, zvedáním nebo přenášením nářadí se ujistěte, že je přepínač nářadí v poloze vypnuto.** Přenášení elektrického nářadí s prstem na přepínači nebo napájení elektrického nářadí se zapnutým spínačem může způsobit úraz.
- Před zapnutím elektrického nářadí z něho odstraňte všechny seřizovací nebo uťahovací klíče.** Klíč, který zůstává připevněn k rotující části elektrického nářadí, může způsobit zranění.
- Nesnažte se pracovat s nářadím na příliš vzdáleném místě. Stále udržujte správný postoj a rovnováhu.** To umožňuje lepší kontrolu nad nářadím v nečekaných situacích.
- Vhodně se oblékejte. Nenoste volné oblečení nebo šperky. Snažte se, aby se vaše vlasy, oděv a rukavice nedostaly do pohyblivých částí.** Volné oblečení, šperky nebo dlouhé vlasy mohou být zachyceny pohyblivými díly.

- g. **Pokud jsou k nářadí připojena zařízení na odsávání a sběr prachu, ujistěte se, že jsou správně připojena a používána.** Použití zařízení k odsávání prachu může snížit nebezpečí související s prachem.
- h. **Nedopusťte, abyste vlivem častého používání nářadí přestal/a být tak obezřetný/a a ignoroval/a bezpečnost při používání nářadí.** Neopatrná akce může způsobit vážná zranění během zlomku sekundy.

4) POUŽÍVÁNÍ A OŠETŘOVÁNÍ NÁŘADÍ

- a. **Nepřetěžujte elektrické nářadí. Pro danou aplikaci použijte správné nářadí.** Svou práci provedete lépe a bezpečněji, když budete používat nářadí pouze v tom rozsahu, pro který je určeno.
- b. **Nepoužívejte nářadí, pokud jej není možno spínačem zapnout a vypnout.** Každé elektrické nářadí, které nelze ovládat přepínačem, je nebezpečné a musí být opraveno.
- c. **Před provedením jakýchkoli úprav/seřizování, výměnou příslušenství nebo ukládáním elektrického nářadí vytáhněte zástrčku od napájecího zdroje a/nebo bateriového modulu elektrického nářadí.** Tato preventivní bezpečnostní opatření snižují riziko náhodného spuštění nářadí.
- d. **Nepoužívané elektrické nářadí uložte mimo dosah dětí a nedovoďte osobám, které nejsou obeznamenány s tímto nářadím, ani s těmito pokyny, aby s elektrickým nářadím pracovaly.** Elektrické nářadí je v rukou nequalifikovaných uživatelů nebezpečné.
- e. **Provádějte údržbu elektrického nářadí a příslušenství. Kontrolujte nesouosost nebo spoje pohyblivých částí, poškození dílů a jiné okolnosti, které mohou ovlivnit funkci elektrického nářadí.** Pokud je nářadí poškozeno, nechte jej před použitím opravit. Mnoho úrazů je způsobeno špatně udržovaným elektrickým nářadím
- f. **Udržujte řezné nástroje ostré a čisté.** Správně udržované řezné nástroje s ostrými hranami se tak snadno nezadřou a lépe se s nimi pracuje.
- g. **Elektrické nářadí, příslušenství a břitové destičky/nože/vrtáky apod.** používejte v souladu s těmito pokyny, s přihlédnutím k pracovním podmínkám a práci, která má být provedena. Použití elektrického nářadí pro jiné než určené činnosti může vést k nebezpečným situacím.
- h. **Udržujte rukojeti a uchopovací povrchy suché, čisté a bez oleje a mastnoty.** Kluzké rukojeti a uchopovací povrchy neumožňují bezpečnou manipulaci s nářadím a kontrolu nad nářadím v nečekávaných situacích

5) SERVIS

- a. **Opravu vašeho elektrického nářadí svěřte kvalifikovanému servisnímu technikovi, který používá pouze originální náhradní díly.** Tím se zajistí, že bude zachována bezpečnost elektrického nářadí.



BEZPEČNOSTNÍ VAROVÁNÍ PRO ÚHLOVOU BRUSKU

6) BEZPEČNOSTNÍ UPOZORNĚNÍ SPOLEČNÁ PRO BROUŠENÍ, SMIRKOVÁNÍ A ŘEZÁNÍ DŘEVA

- a. **Tento elektrický nástroj je určen pro použití jako bruska a smirkovací bruska. Prostudujte si všechna bezpečnostní upozornění, pokyny, ilustrace a specifikace dodávané s tímto elektrickým nástrojem.** Nedodržení níže uvedených pokynů může vést k elektrickému šoku, požáru a/nebo vážnému zranění.
- b. **S tímto elektrickým nářadím se nedoporučuje provádět operace jako například broušení drátěným kartáčem nebo odřezávání.** Pracovní operace, které pro které toto nářadí nebylo navrženo, může představovat riziko a může mít za následek zranění osob.
- c. **Nepoužívejte příslušenství, které není konkrétně navrženo a doporučeno výrobcem nářadí.** Jen proto, že příslušenství lze připojit k elektrickému nářadí, není zárukou bezpečného provozu.
- d. **Jmenovité otáčky příslušenství se musí alespoň rovnat maximálním otáčkám vyznačeným na elektrickém nářadí.** Příslušenství, které by se otáčelo rychlostí vyšší než jsou jeho jmenovité otáčky, by mohlo prasknout a rozletět se.
- e. **Vnější průměr a tloušťka vašeho příslušenství musí odpovídat jmenovitému výkonu vašeho elektrického nářadí.** Nesprávně dimenzované příslušenství nemůže být dostatečně chráněno nebo kontrolováno.
- f. **Závitové montážní díly příslušenství musí odpovídat závitů vřetena brusky. U příslušenství namontovaném pomocí příruby musí být otvor na příslušenství odpovídat upevňovacímu průměru příruby.** Příslušenství, která neodpovídá upevňovacímu dílům elektrického nářadí, je při chodu nevyvážené, nadměrně vibruje a může způsobit ztrátu kontroly.
- g. **Nepoužívejte poškozené příslušenství. Před každým použitím zkontrolujte příslušenství, jako například naštipnutí nebo trhliny brusného kotouče, trhliny nebo známky nadměrného opotřebení opěrného kotouče, nebo uvolněné nebo ulomené drátky drátěného kartáče. Pokud vám elektrické nářadí nebo příslušenství spadne na zem, zkontrolujte, zda nedošlo k jeho**

poškození, popřípadě nainstalujte nepoškozené příslušenství. Zkontrolujte, zda nejsou uvolněné nebo ulomené drátky na drátěném kartáči.

Pokud vám elektrické nářadí nebo příslušenství spadne na zem, zkontrolujte, zda nedošlo k jeho poškození, popřípadě nainstalujte nepoškozené příslušenství. Jakmile provedete kontrolu a nasadíte příslušenství, musíte vy i ostatní přítomné osoby zaujmout polohu mimo rovinu otáčení příslušenství. Pak zapněte elektrické nářadí na maximální volnoběžné otáčky na dobu jedné minuty. Poškozené příslušenství se v průběhu této testovací doby obvykle rozpadne.

- o. **Elektrické nářadí nepoužívejte v blízkosti hořlavých materiálů.** Jiskry by mohly tyto materiály zapálit.
- p. **Nepoužívejte příslušenství, která vyžadují použití chladicí kapaliny.** Použití vody nebo jiných chladících kapalin může mít za následek usmrcení nebo úraz elektrickým proudem.

7) ZPĚTNÝ RÁZ A ODPOVÍDAJÍCÍ VAROVÁNÍ

Zpětný ráz je náhlá reakce na sevření nebo zaseknutí otáčejícího se kotouče, opěrného kotouče, brusného kartáče nebo jiného příslušenství. Sevření nebo zaseknutí způsobí prudké zastavení rotujícího nástroje příslušenství, což má za následek vynucený pohyb nekontrolovaného elektrického nářadí proti směru otáčení nástroje příslušenství v místě uvíznutí. Například, pokud dojde k zaseknutí nebo sevření brusného kotouče obrobkem, okraj kotouče, který vnikne do místa sevření, se může zaseknout do povrchu materiálu a způsobit vylétnutí nebo vyskočení kotouče. Kotouč může vyskočit směrem k obsluze nebo od obsluhy, v závislosti na směru pohybu kotouče v místě sevření. Za těchto podmínek může také dojít k prasknutí brusných kotoučů. Zpětný ráz je výsledkem nesprávného použití elektrického nářadí a/nebo nesprávných pracovních postupů nebo podmínek a lze mu zamezit pomocí níže uvedených vhodných opatření.

- h. **Používejte osobní ochranné pomůcky. V závislosti na konkrétní aplikaci používejte ochranný obličejový štít, ochranné brýle nebo bezpečnostní ochranné brýle. Podle potřeby používejte protiprašnou masku, chrániče sluchu, rukavice a zástěru schopnou zastavit drobné částice brusiva nebo úlomky obrobku.** Ochrana očí musí být schopná zastavit letící úlomky vznikající při různých operacích. Protiprašná maska nebo respirátor musí být schopné odfiltrovat částice vznikající při vaší práci. Dlouhá expozice vysoce intenzivnímu hluku může způsobit ztrátu sluchu.
 - i. **Okolostojící osoby musí být bezpečně vzdálenosti od pracoviště. Každý, kdo vstupuje do pracovního prostoru, musí být vybaven osobními ochrannými pomůckami.** Úlomky obrobku nebo prasklého příslušenství mohou odletnout a způsobit zranění i mimo bezprostřední místo provozu.
 - j. **V případech, kdy se může řezný nástroj dostat do kontaktu se skrytým elektrickým vedením nebo vlastním napájecím kabelem, držte elektrické nářadí při provádění pracovních operací pouze za izolované části rukojeti.** Kontakt řezných nástrojů s „živým“ vodičem může způsobit, že neizolované kovové části elektrického nářadí budou pod napětím a způsobí obsluze úraz elektrickým proudem.
 - k. **Přívodní kabel vedte v dostatečné vzdálenosti od rotujícího příslušenství.** Pokud byste ztratili/a kontrolu nad nářadím, mohli/a byste kabel přefíznot nebo zachytit a vaše ruka nebo rameno by se mohla přitáhnout k rotujícímu příslušenství.
 - l. **Nikdy neodkládejte elektrické nářadí, dokud se příslušenství úplně nezastaví.** Otáčející se příslušenství se může zakousnout do povrchu a způsobit, že ztratíte kontrolu nad elektrickým nářadím.
 - m. **Při přenašání elektrického nářadí po svém boku jej nenechávejte běžet.** Při náhodném kontaktu s rotujícími příslušenstvími by mohlo dojít k zachycení vašeho oblečení a přitažení příslušenství k vašemu tělu.
 - n. **Pravidelně čistěte větrací otvory elektrického nářadí.** Ventilátor motoru nasává prach dovnitř skříně motoru a nadměrná akumulace kovového prášku může způsobit úraz elektrickým proudem
- a. **Elektrické nářadí při práci pevně držte a zaujměte takovou polohu těla a paží, abyste mohli vzdorovat silám zpětnému rázu. Pro maximální zvládnutí zpětného rázu nebo reakce krotícího momentu při průběhu výzvy používejte pomocnou rukojeť, pokud je k dispozici.** Při zajištění vhodných opatření může obsluha reakční momenty a síly zpětného rázu zvládnout.
 - b. **Nikdy nedávejte ruce do blízkosti rotujícího příslušenství.** Příslušenství může odskočit zpět přes vaše ruce.
 - c. **Nestůjte svým tělem v místě, kam se elektrické nářadí v případě zpětného rázu posune.** Zpětný ráz nástroj vystřelí opačným směrem, než je otáčení kotouče v místě zaseknutí.
 - d. **Nestůjte svým tělem v místě, kam se elektrické nářadí v případě zpětného rázu posune.** Zpětný ráz nástroj vystřelí opačným směrem, než je otáčení kotouče v místě zaseknutí.
 - e. **Nenasazuje pilový řetěz na dřevo nebo ozubený pilový kotouč.** Takové kotouče způsobují zpětný ráz a ztrátu kontroly.
 - f. **Nepřipojujte vyztužený odřezávací brusný kotouč.** Tyto nástroje se mohou odломit a způsobit zranění.

8) BEZPEČNOSTNÍ VAROVÁNÍ SPECIFICKÉ PRO BROUŠENÍ:

- Používejte pouze takové typy kotoučů, které jsou doporučeny pro vaše elektrické nářadí, a speciální kryt určený pro zvolený kotouč.** Kotouče, pro které nebylo elektrické nářadí určeno, nelze odpovídajícím způsobem zabezpečit, a proto jsou nebezpečné.
- Brusný povrch středově stlačených kotoučů musí být namontován pod rovinou ochranné lišty.** Nesprávně namontovaný kotouč, které vyčnívá přes rovinu ochranné lišty, nemůže být dostatečně chráněn.
- Ochranný kryt musí být bezpečně upevněn k elektrickému nářadí a pro maximální bezpečnost umístěn tak, aby co nejmenší část kotouče byla odkryta směrem k obsluze.** Ochranný kryt pomáhá chránit obsluhu před úlomky prasklého kotouče, náhodným dotykem s kotoučem a před jiskrami, které by mohly způsobit vznícení oděvu.
- Kotouče mohou být používány pouze pro doporučené aplikace. Například: Neprovádějte broušení boční stranou řezacího kotouče.** Abrazivní rozbrušovací kotouče jsou určeny k obvodovému broušení, boční síly působící na tyto kotouče mohou způsobit jejich roztržení.
- Vždy používejte nepoškozené příruby, které mají správný rozměr a tvar pro váš vybraný kotouč. Právě příruby podepírají kotouče a tím snižují možnost prasknutí kotouče.** Příruby pro abrazivní rozbrušovací kotouče se mohou lišit od přírub pro brusné kotouče.
- Nepoužívejte opotřeбенé kotouče z většího elektrického nářadí.** Kotouče určené pro větší elektrické nářadí nejsou vhodné pro vyšší otáčky menšího nářadí a mohou se roztrhnout.

9) BEZPEČNOSTNÍ VAROVÁNÍ SPECIFICKÉ PRO BROUŠENÍ DŘEVA BRUSNÝM PAPIREM

- Nepoužívejte brusné kotouče s nadměrnou velikostí zrna.** Při výběru brusného papíru postupujte podle doporučení výrobce. Brusný papír přečnávající přes přitlačný brusný talíř představuje riziko tržného poranění a může způsobit zaseknutí, roztržení kotouče nebo zpětný ráz.
- Nastavte rychlost na rychlost doporučenou pro smirkování.** U vysokorychlostního smirkování je nebezpečí tržných ran a popálenin.

⚠ DALŠÍ BEZPEČNOSTNÍ UPOZORNĚNÍ



Používejte ochranu sluchu; Používejte ochranu očí; Používejte ochrannou masku; Používejte ochranné rukavice.

- Pro zjištění přítomnosti vedení v pracovní oblasti použijte vhodné detektory nebo kontaktujte místní provozovatele infrastruktury.** Kontakt s elektrickým vedením může způsobit požár a elektrický šok. Poškození plynového vedení může vést k výbuchu. Poškození vodovodního řádu vede k poškození majetku nebo může způsobit elektrický šok.
- Při přerušení napájení uvolněte hlavní vypínač a nastavte jej do polohy vypnutu, např. při přerušení dodávky proudu nebo při vytažení hlavní zástrčky.**
- Brusných a řezacích disků se nedotýkejte dokud nevychladnou.** Při práci se disky mohou zahřát na velmi vysokou teplotu.
- Upevněte pracovní materiál.** Materiál upevněný ve svorkách nebo ve vteráku je bezpečněji upevněný než v ruce.

POPIS A SPECIFIKACE PRODUKTU



Prostudujte si všechna bezpečnostní upozornění a pokyny. Nedodržení těchto upozornění a pokynů může vést k elektrickému šoku, požáru a/nebo vážnému zranění.

ÚČEL POUŽITÍ

Stroj je určen pro broušení a obrušování. Stroj je určen a konstruován pro použití s příslušenstvím dodaným výrobcem. Stroj lze používat pouze pro suché aplikace bez použití vody.

10) CE - Declaration of conformity:

Společnost Arbortech prohlašuje, že produkt PWC. SA.600.40 a PWC.FG.900.60 popsány v „Technických specifikacích“ tohoto manuálu se vyrábí v souladu s dokumenty podle normy EN 60745, Směrnice EMC 2014/30/EU a RoHS 2011/65/EU.

Technický soubor podle Směrnice o strojních zařízeních 2006/42/ES je k dispozici na: Arbortech PTY LTD | 67 Westchester Road, Malaga, WA 6090

Sven Blicks
General Manager

Výkon	230-240	V
Klasifikace výkonu	1000	W
Frekvence	50	Hz
Třída ochrany	II	II
Udaná rychlost	2 000 – 12 000	rpm
Průměr nástroje	115	mm
Velikost upevňovacího vrtáku	22.2	mm
Velikost upevňovacího šroubu	M14	-
Váha	2.35	kg
Vibrace (k=1,5)	9.58	m/s ²
Hladina akustického tlaku	$L_{pA} = 90$ $K_{pA} = -3$	dB(A)
Hladina akustického výkonu	$L_{WA} = 101$ $K_{WA} = -3$	dB(A)

UPOZORNĚNÍ: Uvedené vibrace se vztahují k hlavnímu použití tohoto nástroje. Nicméně, pokud je nástroj používán pro jiné účely s jiným příslušenstvím, nebo pokud jsou přidavné nástroje špatně udržovány, úroveň vibrací může být jiná. Tím se může úroveň vystavení vibracím v průběhu práce výrazně zvýšit.

Odhad úrovně vystavení vibracím by měl rovněž brát v potaz čas, kdy je nástroj vypnutý, nebo kdy je zapnutý, ale nepracuje. Tím se může úroveň vystavení vibracím v průběhu práce výrazně snížit. Hledejte doplňující bezpečnostní opatření, abyste tak chránili uživatele před účinky vibrace

MONTÁŽ

VÝSTRAHA: Abyste předešli nebezpečí vážného zranění, vypněte nářadí a odpojte od zdroje napájení před prováděním jakýchkoli úprav nebo demontáže / montáže nářadí nebo příslušenství.

POMOCNÁ RUKOJET'

Rukojeť (2) našroubujte do jednoho z bočních otvorů na hlavě brusky podle obrázku Fig. A. Před použitím se ujistěte, že rukojeť je bezpečná.

KOVOVÝ OCHRANNÝ KRYT

Při použití brusného kotouče nejprve namontujte kovový ochranný kryt (5) přes objímku (10) a otočte kryt na nářadí tak, aby uzavřená strana krytu směřovala vždy k operátorovi, jak je znázorněno na obr. C. Utáhněte šroub (12) tak, aby se ochranný kryt nemohl dostat ze své polohy.

PŘÍRUBY A KOLA

Namontujte opěrnou přírubu (7) na vřeteno (9) s drážkou orientovanou tak, aby se spojila s vřetenem. Namontujte kotouč tak, aby byl správně usazen na přírubě a poté našroubujte pojistnou matici (8). Stiskněte pojistku vřetena (6) a pojistnou matici utáhněte pomocí klíče (13).

Informace o instalaci a provozu dalšího příslušenství Arbortech naleznete v příslušných pokynech.

LAPAČ TRÍPEK A BRUSNÁ PODLOŽKA

Při použití brusného talíře nejprve nainstalujte lapač třísek (17) přes objímku (10), poté utáhněte pomocnou rukojeť (2) a boční šroub (18). Utáhněte brusný talíř (16) přes vřeteno bez opěrné příruby.

PROVOZ

VAROVÁNÍ: Vždy si přečtěte bezpečnostní pokyny a platné předpisy. Aby nedošlo ke zranění, vypněte nářadí a odpojte jej od zdroje napájení před prováděním jakýchkoli úprav nebo demontáže / montáže příslušenství

- Elektromotor byl zkonstruován pro napětí uvedené na štítku.** Vždy zkontrolujte, zda napájecí napětí odpovídá napětí na motoru.
- Vždy používejte vhodný ochranný oděv, včetně ochrany uší, očí a plíe.**
- Při práci s materiály ošetřenými toxickými látkami nebo obsahujícími toxické látky dodržujte místní bezpečnostní předpisy.**
- Nepoužívejte tento nástroj ve vlhkém prostředí nebo v přítomnosti hořlavých kapalin a plynů.**
- Před použitím zkontrolujte nástroj. Brusný kotouč musí být správně namontován a musí se volně pohybovat.** Před použitím otestujte elektrické nářadí bez zatížení. Nepoužívejte poškozené, nevycentrované nebo vibrační nástroje.
- Na stroj neaplikujte tak velký tlak nebo sílu, kvůli které by se zastavil.** Po silném namáhání nářadí pokračujte v chodu bez zatížení po dobu jedné minuty, aby se příslušenství ochladilo.
- Nedotýkejte se řezných nástrojů dřívě, než vychladnou.** Kotouče se mohou při práci velmi zahřát.

VAROVÁNÍ: Při práci s tímto elektrickým nářadím vždy používejte dvě ruce - levou ruku položte na pomocnou rukojeť a pravou ruku na hlavní část (tělo) nástroje, abyste mohli motor kdykoliv zapnout a vypnout. Při práci s tímto nástrojem vždy používejte ochranné rukavice.

Z níže uvedené tabulky zkontrolujte, zda je pro aplikaci zvoleno odpovídající nastavení rychlosti. Podepřete a zajistěte obrobek, abyste zabránili pohybu a ztrátě kontroly.

Před vytvořením kontaktu stroje s obrobkem se ujistěte, že stroj běží. K obrobku přistupujte opatrně, aby nedošlo k náhlému uchopení, a na obrobek jemně přitlačte. Držte brusku v úhlu 15°-30° pro obrušování a 5°-30° pro broušení, jak je znázorněno na obr. D. Nástrojem pohybujte v požadovaném směru a udržujte kontakt mezi obrobkem a kotoučem.

Příslušenství	Nastavení rychlosti	Aplikace
Brusný kotouč	5-6	Broušení
Brusná podložka	1-3	Broušení dřeva, kovu a jiných materiálů. Použijte nižší rychlost při práci s brusným papírem s vyšší zrnitostí

ZAPNUTÍ A VYPNUTÍ

Pro zapnutí nářadí potlačte vypínač pro zapnutí/vypnutí (3) směrem dopředu. Chcete-li spínač uzamknout, zatlačte jej směrem dolů ve přední části, dokud nezapadne. Chcete-li nářadí vypnout, uvolněte vypínač nebo, pokud je zamknutý, krátce zatlačte zadní část spínače a uvolněte jej.



VÝSTRAHA: Nástroj obsahuje funkci prevence opětovného spuštění, která zabraňuje nekontrolovanému restartu po přerušení napájení. Chcete-li obnovit provoz, přepněte přístroj do polohy vypnuto a stroj znovu zapněte.

ÚDRŽBA



VÝSTRAHA: Před prováděním seřizovacích, čistících a údržbářských prací na samotném stroji odpojte stroj od zdroje elektrické energie.

Zkontrolujte příslušenství, zda není poškozené, a udržujte je tak, jak je uvedeno v návodu k použití. Pokud je ochranný kryt rozbitý nebo dojde ke ztrátě částí ochranného krytu a může se odpojit, vyměňte poškozené díly. Nepoužívejte nářadí bez příslušného ochranného krytu určeného pro zamýšlené použití.

Pro vaši bezpečnost a spolehlivost tohoto výrobku by veškeré elektrické opravy a údržba vnitřních částí, kromě údržby příslušenství a nástavců, měly být prováděny autorizovanými servisními střediský Arbortech.

ČIŠTĚNÍ VĚTRACÍCH OTVORŮ A SPÍNAČŮ

Pravidelně kontrolujte, zda se ve větracích otvorech, umístěných na přední a zadní straně motoru (14 a 15) nebo pod vypínačem, nevyskytly žádné nečistoty nebo prach. V takovém případě použijte měkký kartáč, abyste odstranili veškerý nahromaděný prach a vyčistili větrací otvory a spínač. Vyčistěte příslušenství od prachu, aby nedošlo k jeho usazování a zamezení nesprávné montáže, nastavení a seřízení.

DOPLŇKOVÉ PŘÍSLUŠENSTVÍ

Abyste se vyhnuli nebezpečí zranění nebo poškození vašeho nářadí, používejte pouze příslušenství a nástavce doporučené společností Arbortech. Informace o doplňkovém příslušenství získáte u svého prodejce

Fig. B

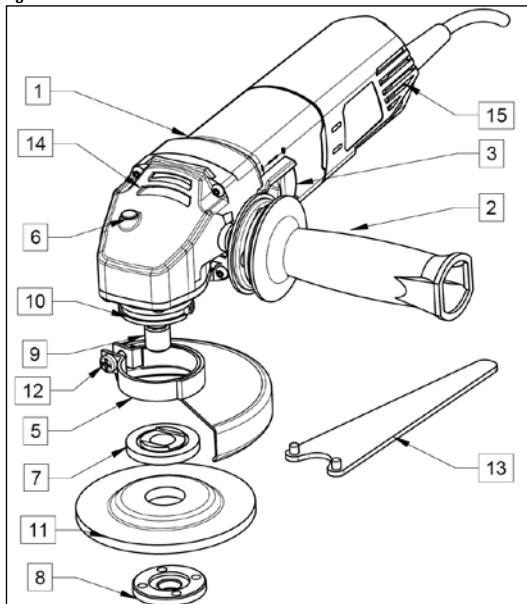


Fig. A

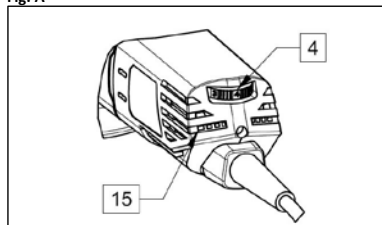


Fig. C

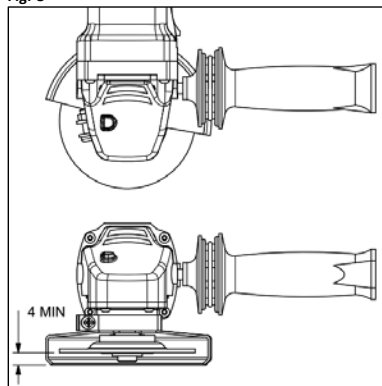


Fig. E

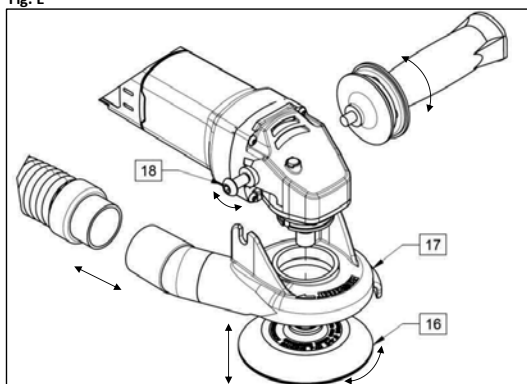
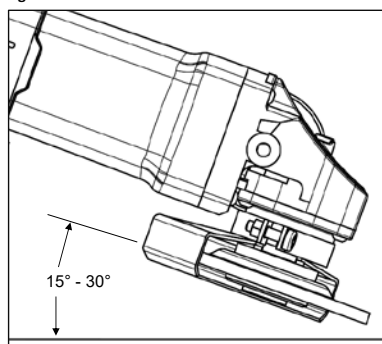


Fig. D



1	Vinkelsliberskaft	7	Støtteflange	13	Stiftnøgle
2	Ekstra håndtag	8	Låsemøtrik	14	Frontventiler
3	Tænd-/ Sluk-Knap	9	Axel	15	Bagsideventiler
4	Indstilling af hastighed	10	Slibekrave	16	Slibepude
5	Metalbeskytter	11	Slibeskive	17	Chip Catcher
6	Spindellås	12	Klemmeskrue-beskytter	18	Sideskrue



GENERELLE SIKKERHEDSVÆRKTØJS SIKKERHEDSADVARSLER



**ADVARSEL: LÆS ALLE
SIKKERHEDSADVARSLER,
INSTRUKTIONER,
ILLUSTRATIONER OG
SPECIFIKATIONER, DER
FØLGER MED DETTE
ELVÆRKTØJ.**

Manglende overholdelse af nedenstående vejledninger kan resultere i elektrisk stød, brand og/eller alvorlig personskade.

Gem alle advarsler og instruktioner til fremtidig reference.

Udtrykket "elværktøj" i advarslerne henviser til dit netværksdrevne (ledningsnet) elværktøj eller batteridrevne (trådløse) elværktøj.

1) ARBEJDSOMRÅDES SIKKERHED

- Hold arbejdsområdet godt ventileret, rent og godt oplyst.** Rodede eller mørke områder inviterer til ulykker.
- Benyt ikke elværktøj i eksplosive omgivelser, såsom i tilstedeværelsen af brændbare væsker, gasser eller støv.** Elværktøj skaber gnister, der kan antænde støvet eller dampene.
- Hold børn og tilskuere væk, mens du bruger et elværktøj.** Distraction kan få dig til at miste kontrollen.

2) ELEKTRISK SIKKERHED

- Strømværktøjsstikket skal passe til stikkontakten.** Modificer aldrig stikket på nogen måde. Brug ikke noget adapterstik med jordforbindelse sammen med elværktøj. Uændrede stik og matchende udgange reducerer risikoen for elektrisk stød.
- Undgå kropskontakt med jordede eller jordforbundne overflader, som rør, radiatorer, intervaller og køleskabe.** Der er en øget risiko for elektrisk stød, hvis din krop er jordet eller har jordforbindelse.
- Udsæt ikke elværktøj for regn eller våde forhold.** Vand, der løber ind i et elværktøj, vil øge risikoen for elektrisk stød.

- Overbelast ikke ledningen. Brug aldrig ledningen til at bære, trække eller tage stikket ud af stikkontakten. Hold ledningen væk fra varme, olie, skarpe kanter og bevægelige dele.** Beskadede eller indviklede ledninger øger risikoen for elektrisk stød.
- Når du bruger et elværktøj udendørs, skal du bruge en forlængerledning, der er egnet til udendørs brug.** Brug af en ledning til udendørs brug reducerer risikoen for elektrisk stød.
- Hvis det ikke kan undgås at betjene et elværktøj på et fugtigt sted, skal du bruge en anordning beskyttet med en fejlstrømsafbryder.** Brug af en fejlstrømsafbryder reducerer risikoen for elektrisk stød.

3) PERSONLIG SIKKERHED

- Forbliv opmærksom, se hvad du laver og brug almindelig fornuft, når du bruger et elværktøj. Brug ikke et elværktøj, når du er træt eller under påvirkning af stoffer, alkohol eller medicin.** Et øjeblik af uopmærksomhed, mens du bruger elværktøj, kan medføre alvorlig personskade.
- Brug personligt beskyttelsesudstyr Bær altid beskyttelsesbriller.** Beskyttelsesudstyr som skummaske, beskyttelsessko, hård hat eller høreværn, der anvendes under passende forhold, vil reducere personskader.
- Forhindre utilsigtet start. Sørg for, at kontakten er i slukket position, før du tilslutter værktøjet til en strømkilde og / eller batteripakke, når du henter værktøjet.** Bærende elværktøjer med fingerringen på kontakten eller energibesparende elværktøjer, der har tændingen på, inviterer til ulykker.
- Fjern enhver justeringstast eller -nøgle, inden du tænder for elværktøjet.** En skruenøgle eller nøgle, der efterlades fastgjort til en roterende del af elværktøjet, kan medføre personskade.
- Ræk ikke for højt. Hold ordentlig fodfæste og balance hele tiden.** Dette muliggør bedre styring af elværktøjet i uventede situationer.
- Bær korrekt påklædning Bær ikke løst tøj eller smykker. Hold dit hår og tøj væk fra bevægelige dele.** Løst tøj, smykker eller langt hår kan blive fanget i bevægelige dele.
- Hvis der medfølger enheder til tilslutning af støvfilter og opsamling, skal du sikre, at disse er tilsluttet og anvendes korrekt.** Brug af støvopsamling kan reducere støv-relaterede risici.
- Lad ikke kendskab hidrørende fra hyppig brug af værktøjer lade dig at blive selvtilfreds og ignorere værktøjernes sikkerhedsprincipper.** En uforsigtig handling kan forårsage alvorlige skader inden for en brøkdels af et sekund.

4) BRUG AF ELVÆRKTØJ OG PLEJE

- Tving ikke kraftværktøjet. Brug det korrekte værktøj til din anvendelse.** Det korrekte elværktøj vil gøre arbejdet bedre og mere sikkert ved den hastighed, som det er udformet til.
- Værktøjet må ikke benyttes, hvis afbryderen ikke tænder eller slukker det.** Ethvert elværktøj, som ikke kan styres med kontakten, er farligt og skal repareres.
- Afbryd stikket fra strømkilden og/eller fjern batteripakken, hvis det er aftageligt, fra elværktøjet, inden der foretages justeringer, udskiftning af tilbehør eller opbevaring af elværktøj.** Sådanne forebyggende sikkerhedsforanstaltninger nedsætter risikoen for at starte elværktøjet ved et uheld.
- Opbevar tomgangsværktøj uden for børns rækkevidde, og lad ikke personer være uvidende om elværktøjet eller disse instruktioner for at betjene elværktøjet.** Elværktøj er farligt i hænderne på uop lærte brugere.
- Vedligeholdelse af elværktøj og tilbehør. Kontroller forkert justering eller binding af bevægelige dele, brud på dele og enhver anden tilstand, som kan påvirke elværktøjets funktion. Hvis det er beskadiget, skal værktøjet repareres for brug.** Mange ulykker skyldes dårligt vedligeholdte elværktøjer.
- Hold skæreværktøj skarpe og rene.** Korrekt vedligeholdt skæreværktøj med skarpe kanter er mindre tilbøjeligt til at binde og er lettere at kontrollere.
- Brug elværktøjet, tilbehør og værktøjsbits mv. i overensstemmelse med disse instruktioner under hensyntagen til arbejdsvilkårene og det arbejde, der skal udføres.** Brug af elværktøjet til andre operationer end de tilsigtede kan medføre en farlig situation.
- Hold håndtag og gribeoverfladerne tørre, rene og fri for olie og fedt.** Løse håndtag og gribeoverflader tillader ikke sikker håndtering og kontrol af værktøjet i uventede situationer.

5) SERVICE

- Få dit elværktøj serviceeret af en autoriseret reparatør, der kun bruger identiske reservedele.** Dette sikrer, at elværktøjets sikkerhed opretholdes.



VINKELSLIBERS SIKKERHEDSADVARSLER

6) SIKKERHEDSADVARSLER ALMINDELIG FOR SLIBNING OG SLIBNING

- Dette elværktøj er beregnet til at fungere som en slibemaskine eller sliber. Læs alle sikkerhedsadvarsler, instruktioner,**

illustrationer og specifikationer, der følger med dette elværktøj. Manglende overholdelse af nedenstående vejledninger kan resultere i elektrisk stød, brand og/eller alvorlig personskade.

- Funktioner som trådbørstning, polering eller afskæring anbefales ikke at udføres med dette elværktøj.** Drift, hvor elværktøjet ikke var designet, kan skabe fare og forårsage skade.
- Brug ikke tilbehør, der ikke er specielt designet og anbefalet af værktøjsfabrikanten.** Bare fordi tilbehøret kan monteres på dit elværktøj, garanterer det ikke sikker drift.
- Tilbehørets nominelle hastighed skal mindst svare til den maksimale hastighed, der er angivet på elværktøjet.** Tilbehør, der kører hurtigere end deres nominelle hastighed, kan gå i stykker og flyve fra hinanden.
- Udvendig diameter og tykkelse af dit tilbehør skal være inden for kapacitetsværdien af dit elværktøj.** Tilbehør af forkert størrelse kan ikke overvåges eller kontrolleres tilstrækkeligt.
- Gevindmontering af tilbehør skal være i overensstemmelse med slibespindelrødråden. Til tilbehør monteret af flanger skal tilbehørsboringen i tilbehøret passe til flangens lokaliserende diameter.** Tilbehør, som ikke svarer til monteringsværktøjet på elværktøjet, løber ud af balance, vibrerer for højt og kan forårsage tab af kontrol.
- Brug ikke et beskadiget tilbehør. Inden hver brug inspiceres tilbehør som slibeskiver til chips og revner, bagsidepude til revner, flænger eller for meget slitage. Hvis elværktøjet eller tilbehøret tabes, skal du kontrollere om det er beskadiget eller installeret og ubeskadiget tilbehør. Når du har inspiceret og installeret et tilbehør, skal du placere dig selv og tilskuere væk fra det roterende tilbehørs plan og køre elværktøjet med maksimal tomgangshastighed i et minut.** Beskadigede tilbehør brydes normalt fra hinanden i løbet af denne testtid.
- Bær personligt beskyttelsesudstyr. Afhængigt af anvendelse skal du bruge ansigtsskærm, beskyttelsesbriller eller sikkerhedsbriller. Brug som passende støvmaske, hørebeskyttelse, handsker og værkstedsforklæde, der kan standse små slibemidler eller arbejdsfragmenter.** Øjenbeskyttelsen skal kunne standse flyvende affald, som genereres af forskellige operationer. Støvmasken eller respiratoren skal være i stand til at filtrere partikler, der genereres ved din drift. Langvarig udsættelse for højintensiv støj kan forårsage høretab.
- Hold tilskuere på en sikker afstand væk fra arbejdsområdet. Enhver, der kommer ind på arbejdsområdet, skal bære personligt beskyttelsesudstyr.** Fragmenter af arbejdsstykker eller et itugæet tilbehør kan flyve væk og forårsage skade uden for det umiddelbare driftsområde.

- j. **Hold elværktøjet kun ved hjælp af isolerede gribeplader, når der udføres en operation, hvor skæredstyret kan komme i kontakt med skjulte ledninger eller dets egen ledning.** Skærettilbehør, der kontakter en "live" ledning, kan gøre udsatte metaldele af elværktøjet "live" og kunne give operatøren et elektrisk stød.
 - k. **Placer ledningen fri for spindeltilbehøret.** Hvis du mister kontrollen, kan ledningen blive skåret eller hindret, og din hånd eller arm kan blive trukket ind i spindeltilbehøret.
 - l. **Læg aldrig værktøjet ned, før tilbehøret er fuldstændigt færdigt.** Spindeltilbehøret kan tage fat i overfladen og trække elværktøjet ud af din kontrol.
 - m. **Kør ikke strømværktøjet, mens du bærer det ved din side.** Utilsigtet kontakt med spindeltilbehøret kan hænge i dit tøj og trække tilbehøret ind i din krop.
 - n. **Renøg elværktøjets luftventiler regelmæssigt.** Motorens ventilator trækker støvet inde i huset, og overdreven ophobning af pulveriseret metal kan forårsage elektriske risici.
 - o. **Brug ikke elværktøjet i nærheden af brandbare materialer.** Gnister kan antænde disse materialer.
 - p. **Brug ikke tilbehør, der kræver flydende kølemidler.** Brug af vand eller andre flydende kølemidler kan resultere i elektroktion eller stød.
- b. **Anbring aldrig din hånd i nærheden af det roterende tilbehør.** Tilbehør kan slå tilbage over din hånd.
 - c. **Anbring ikke din krop i det område, hvor elværktøjet vil bevæge sig, hvis tilbageslag finder sted.** Tilbageslag vil fremdrive værktøjet i retning modsat hjulets bevægelse ved hindring.
 - d. **Vær særlig opmærksom når du arbejder med hjørner og skarpe kanter mv. Undgå at hoppe og fange tilbehøret.** Hjørner, skarpe kanter eller hopper har en tendens til at hænge det roterende tilbehør og forårsage tab af kontrol eller tilbageslag.
 - e. **Vedhæft ikke savklinge eller savklinge med savklinge.** Sådanne blade skaber hyppig tilbageslag og tab af kontrol.
 - f. **Tilsæt ikke forstærket slibeskive.** Sådanne værktøjer kan gå i stykker og forårsage skader.

8) SIKKERHEDSADVARSLER SPECIFIKKE FOR SLIBEDRIFT

- a. **Brug kun hjul typer, der anbefales til dit elværktøj og den specifikke vagt, der er designet til det valgte hjul.** Hjul, for hvilke elværktøjet ikke var designet, kan ikke være tilstrækkeligt beskyttede og er usikkert.
- b. **Slibefluden af centertrykhjul skal monteres under beskyttelseslappens plan.** Et ukorrekt monteret hjul, der løber gennem vagtlappens plan, kan ikke beskyttes tilstrækkeligt.
- c. **Beskyttelsen skal være sikkert fastgjort til elværktøjet og placeres for maksimal sikkerhed, så den mindste mængde hjul er afsløret for operatøren.** Beskytteren hjælper med at beskytte operatøren mod ødelagte hjulfragmenter, utilsigtet kontakt med hjulet og gnister, der kan antænde tøj.
- d. **Hjul må kun bruges til anbefalede applikationer. For eksempel: Slib ikke med siden af afskæringshjulet.** Slibeskiver er beregnet til perifer slibning, sidekræfter, der påføres sejhulene, kan få dem til at knuse.
- e. **Brug altid ubeskadigede hjulflanger, der er af korrekt størrelse og form til dit valgte hjul.** Korrekte hjulflanger støtter hjulet og reducerer dermed risikoen for hjulbrud. Flanger til afskæringshjul kan være anderledes end slibeskiveflanger.
- f. **Brug ikke nedrevne hjul fra større elværktøjer.** Hjul beregnet til større elværktøj er ikke egnet til højere hastighed for et mindre værktøj og kan bryde.

7) TILBAGESLAG OG TILHØRENDE ADVARSLER

Tilbageslag er en pludselig reaktion på et klemt eller hindret roterende hjul, bagsidepude, børste eller ethvert andet tilbehør. Klemning eller hindring forårsager hurtig standsning af det roterende tilbehør, som igen får det ukontrollerede elværktøj til at blive tvunget i retningen modsat af tilbehørets rotation på bindingspunktet.

For eksempel, hvis et slibeskive hindres eller klemmes af emnet, kan kanten af hjulet, der går ind i knivpunktet, grave ind i overfladen af materialet, hvilket får hjulet til at klatre ud eller sparke ud. Hjulet kan enten springe mod eller væk fra operatøren afhængigt af retningen af hjulets bevægelse ved klemningspunktet. Slibeskiver kan også gå i stykker under disse forhold.

Tilbageslag er resultatet af misbrug af elværktøj og/eller forkerte driftsprocedurer eller -betingelser og kan undgås ved at tage de nødvendige forholdsregler som angivet herunder.

- a. **Vedligehold et fast greb på elværktøjet og placer din krop og arm for at modstå tilbageslagskræfter. Brug altid hjælpestangen, hvis den leveres, for maksimal kontrol over tilbageslag eller drejningsmomentreaktion under opstart.** Operatøren kan styre drejningsmomentreaktioner eller tilbageslagskræfter, hvis der træffes passende forholdsregler.

9) SIKKERHEDSADVARSLER SPECIFIKKE TIL SLIBEOPERATIONER

- Brug ikke overdreven overdimensioneret slibepapir.** Følg producentens anbefalinger, når du vælger slibepapir. Større slibepapir, der strækker sig ud over slibepladen, frembyder en lacerationsrisiko og kan forårsage ulempe, revning af disken eller tilbageslag.
- Juster hastigheden som anbefalet til slibning.** Højhastighedsslibning præsenterer laceration og brandrisiko.

DYDERLIGERE SIKKERHEDSADVARSLER



Brug hørebeskyttelse; Brug øjenbeskyttelse; Brug støvmaske; Brug beskyttelseshandsker.

- Brug egnede detektorer til at afgøre, om brugsledninger er skjult i arbejdsområdet eller ring til det lokale hjælpeværktøjsfirma for at få hjælp.** Kontakt med elektriske ledninger kan føre til brand og elektrisk stød. Skader en gasledning kan føre til eksplosion. Penetrering af en vandledning forårsager skade på ejendommen eller kan forårsage elektrisk stød.
- Slip ON-OFF-kontakten, og sæt den i slukket position, når strømforsyningen afbrydes** f.eks. i tilfælde af strømsvigt eller når stikket trækkes.
- Rør ikke ved slibningS- og skæringsplader, før de er afkølede.** Pladerne kan blive meget varme under arbejdet.
- Fastgør emnet.** Et emne, der er fastspændt med fastspændingsanordninger eller i en skruestik, holdes mere sikkert end med hånden.

PRODUKTBESKRIVELSE OG SPECIFIKATIONER



Læs brugsanvisningen, inden du bruger værktøjet

Læs alle sikkerhedsadvarsler og alle instruktioner. Manglende overholdelse af advarsler og instruktioner kan medføre elektrisk stød, brand og/eller alvorlig skade.

TILSIGTET BRUG

Maskinen er designet til slibning og sandslibning. Maskinen er designet og konstrueret til brug af løselede fra producenten. Maskinen kan kun anvendes til tør-elementer uden brug af vand.

10) CE - OVERENSSTEMMELSESERKLÆRING

Arbortech erklærer, at produktet PWC.FG.900.60 beskrevet i denne manual under "Tekniske specifikationer" er fremstillet i overensstemmelse med EN 60745 standardiserede dokumenter, EMC 2014/30/ EU og RoHS 2011/65/EU direktiver.

Teknisk fil i overensstemmelse med Maskindirektiv 2006/42 / EF ved: Arbortech PTY LTD | 67 Westchester Road, Malaga, WA 6090

Sven Blicks
General Manager

Spænding	230-240	V
koblingseffekt	1000	W
Frekvens	50	Hz
Beskyttelsesklasse:	II	II
Mærkehastighed	2 000 – 12 000	rpm
Værktøj maks. Diameter	115	mm
Monteringsbrestørrelse	22.2	mm
Monteringsstrådstørrelse	M14	-
Vægt	2.35	kg
Vibrationsemission (k = 1,5)	9.58	m/s2
Lydtrykniveau	$L_{WA} = 90$ $K_{WA} = 3$	dB(A)
Lydeffektniveau	$L_{WA} = 101$ $K_{WA} = 3$	dB(A)

 **ADVARSEL:** Det angivne vibrationsemissionsniveau repræsenterer værktøjets vigtigste anvendelser. Men hvis værktøjet bruges til forskellige applikationer, med forskellige tilbehør eller indsætningsværktøjer eller er dårligt vedligeholdt, kan vibrationsemissionen være forskellig. Dette kan øge eksponeringsniveauet over den samlede arbejdstid betydeligt.

Et estimat af niveauet for eksponering for vibrationer bør også tage højde for de tidspunkter, hvor værktøjet er slukket eller når det kører, men ikke rent faktisk gør jobbet. Dette kan reducere eksponeringsniveauet over den samlede arbejdstid betydeligt. Identifier yderligere sikkerhedsforanstaltninger for at beskytte operatøren mod virkningerne af vibrationer.

MONTERING

⚠ ADVARSEL: For at reducere risikoen for alvorlig personskade skal du slukke for apparatet og afbryde strømforsyningen, inden du foretager justeringer eller fjerner / installerer værktøjer eller tilbehør.

EKSTRA HÅNDTAG

Skrub håndtaget (2) ind i et af sidehullerne på slibehovedet som vist iFig. A. Sørg for, at håndtaget er sikret før brug.

METALBESKYTTER

Når du bruger en slibeskive, skal du først montere metalbeskytteren (5) over kraven (10) og dreje beskytteren på værktøjet, så den lukkede side af beskytteren altid vender mod operatøren som vist i figur C. Stram skruen (12), så beskytteren ikke kan komme ud af position.

FLANGER OG HJUL

Monter bagflangen (7) på akslen (9) med kærven vendt, så den sammenkobles med akslen. Monter disken, og sørg for, at den sidder korrekt på flangen, og skru derefter på låsemøtrikken (8). Tryk spindellåsen (6) og spænd låsemøtrikken med stiftnøglen (13).

Til installation og betjening af andet Arbortech tilbehør henvises til deres special-instruktioner.

SPÅNFANGER OG SLIBEPUDE

Når du bruger en slibepude, skal du først installere spånfangeren (17) over kraven (10), og derefter spænde hjælpehåndtaget (2) og sideskruen (18). Spænd slibeskiven (16) op over spindlen uden støtteflangen.

DRIFT

⚠ ADVARSEL: Læs altid sikkerhedsanvisningerne og gældende regler. For at nedsætte risikoen for personskade skal du slukke for værktøjet og afbryde strømforsyningen, inden enhver justering foretages eller tilbehør fjernes/installes

- Elmotoren er designet til den spænding, som er angivet på etiketten.** Kontroller altid, at strømforsyningen svarer til den spænding, der er markeret på motoren.
- Bær altid korrekt sikkerhedsbeklædning, herunder øre-, øjen- og lungebeskyttelse.**
- Følg de lokale sikkerhedsforskrifter, når du arbejder med materialer, som er behandlet med eller indeholder giftige stoffer.**

d) **Brug ikke dette værktøj i våde betingelser eller i nærheden af brandfarlige væsker og gasser.**

e) **Kontroller værktøjet inden brug.** Slibeskiven skal monteres korrekt og have fri bevægelighed. Testkør værktøjet uden belastning før brug. Brug ikke beskadede, ikke-justerede eller vibrerende værktøjer.

f) **Udsæt ikke maskinen for så stærke tryk eller belastninger, at den stopper.** Efter kraftig belastning af elværktøjet skal du fortsat have det tændt et minut uden belastning for at afkøle tilbehøret.

g) **Rør ikke ved skæreværktøjer, før de er afkølet.** Diskene kan blive meget varme under arbejdet.

⚠ ADVARSEL: Brug altid to hænder til at betjene dette elværktøj, og placer venstre hånd på hjælpehåndtaget og højre på værktøjets skaft, så du altid kan tænde og slukke for motoren. Brug altid beskyttelseshandsker, når du anvender dette værktøj.

Sørg for, at en passende hastighedsindstilling er valgt i den nedenstående tabels program. Støt og fastgør elementet for at undgå bevægelse og tab af kontrol.

Sørg for, at maskinen kører, før elementet forbindes. Anbring elementet med forsigtighed for at undgå pludselige bevægelser, og tryk forsigtigt på den. Hold slibemaskinen i en vinkel på 15 ° -30 ° til slibning og 5 ° -30 ° til sandslibning som vist i figur D. Flyt værktøjet til den ønskede retning, og fasthold kontakten mellem elementet og disken.

Tilbehør	Indstilling af hastighed	Program
Slibeskive	5 - 6	Slibning
Slibepude	1 - 3	Slibning af træ, metal og andre materialer. Brug lavere hastighed ved grovere sandpapir

SÅDAN TÆNDES OG SLUKKES APPARATET

For at starte elværktøjet skal du trykke på tænd/sluk-knappen (3) fremad. For at låse omskifteren skal du trykke den ned fortil, indtil den låses. For at slukke for værktøjet skal du slippe tænd/sluk-knappen eller, hvis den er låst, trykke let ned på bagsiden af kontakten og slippe igen.

⚠ ADVARSEL: Værktøjet har en forebyggende genstartsfunction, som forhindrer en ukontrolleret genstart efter en afbrydelse af strømforsyningen. For at genoptage operationen skal du sætte værktøjet i sluk-position og starte maskinen igen.

MAINTENANCE



ADVARSEL: For enhver justering, rensning eller vedligeholdelse af selve maskinen, skal du afbryde strømforsyningen.

Undersøg tilbehøret for skader, og vedligehold det som angivet i deres brugervejledning. Hvis beskytteren er beskadiget, eller dele af beskytteren bliver tabt og kan løsnes, skal du udskifte de beskadigede dele. Brug ikke værktøjet uden den rette beskytter, der er angivet til den påtænkte anvendelse.

For din sikkerhed og dette produkts pålidelighed skal al reparation og vedligeholdelse af de indvendige dele, bortset fra vedligeholdelse af tilbehør og løsele udføres af Arbortechns autoriserede servicecentre.

RENGØRING AF LUFTVENTILATORERNE OG OMSKIFTEREN

Kontroller regelmæssigt, om der er kommet støv eller fremmedlegemer ind i luftventilerne, placeret på forsiden og bagsiden af motoren (14 og 15) eller under tænd/sluk-knappen. Hvis det er tilfældet, så brug en blød børste til at fjerne eventuelt akkumuleret støv for at rengøre luftåbningerne og omskifteren. Rengør tilbehøret for støv for at forhindre ophobning, og undgå ukorrekt montering, opsætning og justeringer.

VALGFRIT TILBEHØR

For at undgå risikoen for personskader eller beskadigelse af dit værktøj, så brug udelukkende Arbortechns anbefalede tilbehør og udstyr. Kontakt din forhandler for at få adgang til ekstraudstyr

Fig. B

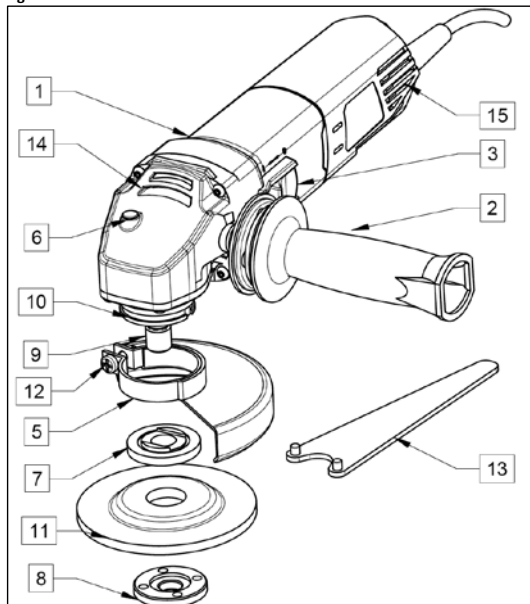


Fig. E

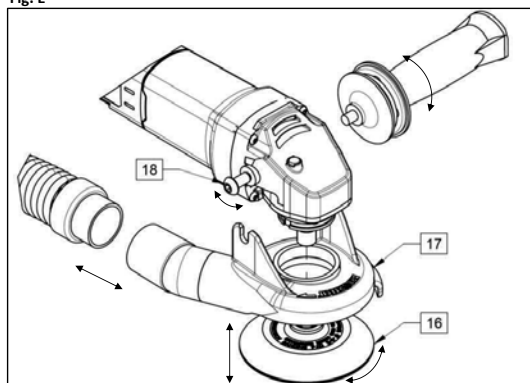


Fig. A

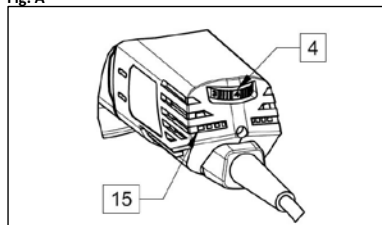


Fig. C

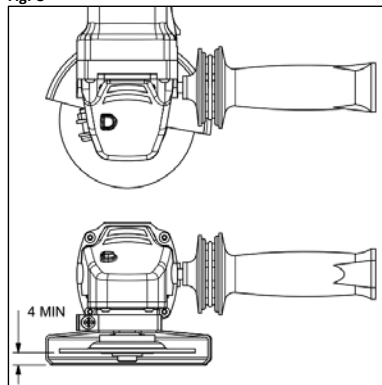
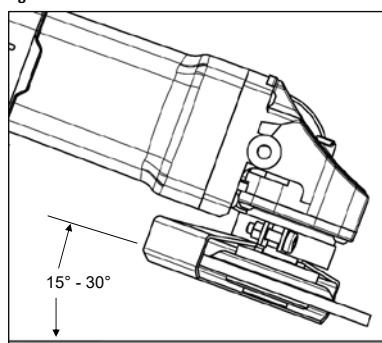


Fig. D



1	Haakse slijper behuizing	7	Steunflens	13	pensleutel
2	Hulphandvat	8	Borgmoer	14	Voorste ventilatieopeningen
3	Aan/Uit schakelaar	9	Spindel	15	Achter ventilatieopeningen
4	Snelheidsinstellingknop	10	Sijperkraag	16	schuurblok
5	Metalen afscherming	11	slijpschijf	17	Chip Catcher
6	Spilknop	12	Beschermende klem Schroef	18	Zijschroef:



ALGEMENE VEILIGHEIDSWAARSCHUWINGEN VOOR ELEKTRISCH GEREEDSCHAP



Het niet opvolgen van de waarschuwingen en instructies kan leiden tot een elektrische schok, brand en/of ernstig persoonlijk letsel.

BEWAAR ALLE WAARSCHUWINGEN EN INSTRUCTIES ALS TOEKOMSTIG REFERENTIEMATERIAAL

De term „elektrisch gereedschap“ in de waarschuwingen verwijst naar uw (met een snoer) op de netspanning aangesloten elektrische gereedschap of naar (draadloos) elektrisch gereedschap met een accu.

1) VEILIGHEID WERKPLAATS

- Houd het werkgebied schoon en goed verlicht.**
Rommelige of donkere gebieden zorgen voor ongelukken.
- Bedien elektrische gereedschappen niet in een explosieve omgeving, zoals in de nabijheid van ontvlambare vloeistoffen, gassen of stof.** Elektrische gereedschappen veroorzaken vonken die het stof of de dampen kunnen doen ontbranden.
- Houd kinderen en omstanders op een afstand terwijl u een elektrisch gereedschap bedient.**
Als u wordt afgeleid kunt u de controle over het gereedschap verliezen.

2) ELEKTRISCHE VEILIGHEID

- Stekkers van elektrisch gereedschap moeten in het stopcontact passen. Pas de stekker nooit op enige manier aan.** Gebruik geen adapterstekkers samen met geaard elektrisch gereedschap. Niet aangepaste stekkers en passende contactdozen verminderen het risico op een elektrische schok.
- Vermijd lichamelijk contact met geaarde oppervlaktes zoals buizen, radiatoren, fornuizen en ijskasten.** Er bestaat een verhoogd risico op een elektrische schok als uw lichaam geaard is.

- Behandel het stroomsnoer voorzichtig. Gebruik het stroomsnoer nooit om het elektrische gereedschap te dragen of te trekken, of de stekker uit het stopcontact te halen.** Houd het snoer uit de buurt van warmte, olie, scherpe randen, of bewegende onderdelen. Beschadigde snoeren of snoeren die in de war zijn verhogen het risico op een elektrische schok.
- Als u een elektrisch gereedschap buitenshuis gebruikt, gebruikt u een verlengsnoer dat geschikt is voor gebruik buitenshuis.** Het gebruik van een verlengsnoer dat geschikt is voor buitenshuis, vermindert het risico op een elektrische schok.
- Als het gebruik van een elektrisch gereedschap op een vochtige locatie onvermijdelijk is, gebruikt u een stroomvoorziening die beveiligd is met een aardlekschakelaar.** Het gebruik van een aardlekschakelaar vermindert het risico op een elektrische schok.

3 PERSOONLIJKE VEILIGHEID

- Blijf alert, kijk wat u doet en gebruik uw gezonde verstand als u een elektrisch gereedschap bedient. Gebruik het gereedschap niet als u vermoeid bent of onder de invloed van drugs, alcohol of medicatie bent.** Een moment van onoplettendheid tijdens het bedienen van elektrische gereedschappen kan leiden tot ernstig persoonlijk letsel.
- Gebruik een beschermende uitrusting. Draag altijd oogbescherming.** Beschermende uitrusting zoals een stofmasker, antislip veiligheidsschoenen, een helm, of gehoorbescherming gebruikt in de juiste omstandigheden zal het risico op persoonlijk letsel verminderen.
- Vermijd onbedoeld starten. Zorg ervoor dat de schakelaar in de „off“ (uit) stand staat voordat u het gereedschap aansluit op de stroombron en/ of accu, het oppakt of ronddraagt.** Het rondragen van elektrische gereedschappen met uw vinger op de schakelaar of het aanzetten van elektrische gereedschappen waarvan de schakelaar aan staat, zorgt voor ongelukken.
- Verwijder alle stelsleutels of moersleutels voordat u het elektrische gereedschap aan zet.** Een moersleutel of stelsleutel die in een ronddraaiend onderdeel van het elektrische gereedschap is achtergelaten kan leiden tot persoonlijk letsel.
- Rek u niet te ver uit. Blijf altijd stevig en in balans op de grond staan.** Dit zorgt voor betere controle van het elektrische gereedschap in onverwachte situaties.
- Draag geschikte kleding. Draag geen loszittende kleding of sieraden. Houd uw haar, kleding en handschoenen uit de buurt van bewegende onderdelen.** Loszittende kleding, sieraden of lang haar kunnen door bewegende delen worden gegrepen.

- g. **Als er in apparaten wordt voorzien voor het aansluiten van stofverwijdering- of verzamelapparatuur, zorg er dan voor dat deze correct worden aangesloten en gebruikt.** Het gebruik van een stofverzamelaar kan aan stofgerelateerde gevaren verminderen.

- h. **Veronachtzaam de veiligheid niet, als u door veelvuldig gebruik van het gereedschap een ervaren gebruiker geworden bent en slordig wordt.** Een onvoorzichtige handeling in een oogwenk ernstige verwondingen veroorzaken

4) GEBRUIK EN VERZORGING VAN ELEKTRISCH GEREEDSCHAP

- a. **Forceer het gereedschap niet. Gebruik het juiste elektrische gereedschap voor uw toepassing.** Het juiste elektrische gereedschap voert de werkzaamheden beter en veiliger uit waarvoor het is ontworpen.
- b. **Gebruik het gereedschap niet als de schakelaar het niet aan en uit kan zetten.** Ieder gereedschap dat niet met de schakelaar kan worden bediend is gevaarlijk en moet worden gerepareerd.
- c. **Haal de stekker uit het stopcontact en/of neem de accu uit het gereedschap voordat u aanpassingen uitvoert, accessoires verwisselt, of het elektrische gereedschap opbergt.** Dergelijke preventieve veiligheidsmaatregelen verminderen het risico dat het elektrische gereedschap per ongeluk opstart.
- d. **Bewaar gereedschap dat niet wordt gebruikt buiten het bereik van kinderen en laat niet toe dat personen die onbekend zijn met het elektrische gereedschap of deze instructies het gereedschap bedienen.** Elektrische gereedschappen zijn gevaarlijk in handen van ongetrainde gebruikers
- e. **Onderhoud elektrische gereedschappen. Controleer op verkeerde uitlijning en het grijpen van bewegende onderdelen, breuk van onderdelen en andere omstandigheden die de werking van het gereedschap nadelig kunnen beïnvloeden.** Zorg dat het gereedschap voor gebruik wordt gerepareerd als het beschadigd is. Veel ongelukken worden veroorzaakt door slecht onderhouden gereedschap.
- f. **Houd snijgereedschap scherp en schoon.** Correct onderhouden snijgereedschappen met scherpe snijranden lopen minder snel vast en zijn gemakkelijker te beheersen.
- g. **Gebruik het elektrische gereedschap, de accessoires en gereedschapsonderdelen enz. in overeenstemming met deze instructies, waarbij u rekening houdt met de werkomstandigheden en de werkzaamheden die dienen te worden uitgevoerd.** Gebruik van het elektrische gereedschap voor werkzaamheden die anders zijn dan het bedoelde gebruik, kunnen leiden tot een gevaarlijke situatie.

- h. **Houd handgrepen en grijppoppervlakken droog, schoon, vet- en olie vrij.** Gladde handgrepen en grijppoppervlakken zijn niet veilig om het gereedschap in onverwachte situaties te hanteren.

5) SERVICE

- a. **Zorg dat u gereedschap wordt onderhouden door een erkende reparateur die uitsluitend identieke vervangende onderdelen gebruikt. Dit zorgt ervoor dat de veiligheid van het gereedschap blijft gegarandeerd**



VEILIGHEIDSWAARSCHUWINGEN OP DE HAAKSE SLIJMACHINE

6) VEILIGHEIDSWAARSCHUWINGEN DIE ZE VOOR SLIJPMACHINES EN SCHUREN WORDEN GEBRUIKT

- a. **Dit elektrische gereedschap is bedoeld om gebruikt te worden als slijpmachine, schuurmachine of als houtsnijgereedschap** Lees alle veiligheidswaarschuwingen, instructies, illustraties en specificaties die bij dit elektrisch gereedschap zijn meegeleverd. Het niet naleven van alle onderstaande instructies kan een elektrische schok, brand en/of ernstig letsel tot gevolg hebben.
- b. **Het wordt niet aanbevolen werkzaamheden zoals polijsten met dit elektrisch gereedschap uit te voeren.** Werkzaamheden waarvoor het elektrische gereedschap niet is ontworpen, kunnen leiden tot gevaarlijke situaties en lichamelijk letsel.
- c. **Gebruik geen accessoires die niet speciaal ontworpen en aanbevolen zijn door de fabrikant van het gereedschap.** Het feit dat een accessoire aan uw gereedschap kan worden bevestigd wil nog niet zeggen dat dit een veilige bediening garandeert.
- d. **Het nominale toerental van het accessoire moet tenminste gelijk zijn aan het maximale toerental zoals dit op het gereedschap staat vermeld.** Accessoires die sneller draaien dan hun nominale toerental kunnen breken en wegschieten.
- e. **De buitendiameter en de dikte van uw accessoire moeten binnen het nominale vermogen van uw gereedschap liggen.** Accessoires met een onjuiste grootte kunnen niet voldoende worden vastgemaakt of beheerst.
- f. **Wanneer u accessoires monteert door middel van schroefdraad moet de schroefdraad overeenkomen met die van de as van de slijpmachine. Voor accessoires die zijn gemonteerd door middel van flenzen moet het drevelgat van het accessoire passen bij de plaatsingsdiameter van de flens.** Accessoires die niet passen op de bevestigingshardware van

het gereedschap zullen uit balans raken en/of extreem trillen en kunnen u de controle over het gereedschap doen verliezen.

- g. **Gebruik een accessoire niet als ze beschadigd is. Controleer het accessoire zoals een schuurwiel voor gebruik op schilfers en barstjes, steunkussens op barstjes, scheurtjes of excessieve slijtage, staalborstels op losse of gespleten draden.** Als het gereedschap of het accessoire is gevallen, controleert u dit op schade of plaatst u een onbeschadigd accessoire. Na het controleren en plaatsen van een accessoire zorgt u dat u en omstanders uit de buurt

van het bereik van het ronddraaiende accessoire blijft en zet u het gereedschap gedurende een minuut aan op maximale snelheid zonder weerstand. Beschadigde accessoiren breken gewoonlijk af tijdens deze testtijd.

- h. **Draag persoonlijke beschermende kleding. Afhankelijk van de toepassing gebruikt u gezichtsbedekking en een beschermende of veiligheidsbril.** Indien van toepassing draagt u een stofmasker, gehoorbescherming, handschoenen en een werkschort die kleine afgeschuurde deeltjes of deeltjes van het werkstuk tegenhouden. De oogbescherming moet rondvliegende brokstukken die door de diverse werkzaamheden vrijkomen tegen kunnen houden. Het stofmasker e.d. moet in staat zijn om partikeltjes die door uw werkzaamheden vrijkomen te filteren. Langdurige blootstelling aan intense geluiden kan gehoorverlies veroorzaken.
- i. **Houd omstanders op een veilige afstand van het werkgebied. Iedereen die het werkgebied betreedt moet persoonlijke beschermende kleding dragen.** Brokstukken van het werkstuk of van een afgebroken accessoire kunnen wegvliegen en letsel buiten het directe werkgebied veroorzaken.
- j. **Houd het elektrisch gereedschap alleen vast aan geïsoleerde oppervlakten wanneer u een handeling uitvoert waarbij het snijgereedschap in contact kan komen met verborgen bedrading of het eigen stroomsnoer.** Accessoires van snijgereedschap die in contact komen met bedrading die onder stroom staat, kunnen metalen onderdelen van het gereedschap onder stroom zetten en de gebruiker een elektrische schok geven.
- k. **Plaats het stroomsnoer buiten het bereik van het ronddraaiende accessoire.** Als u de controle verliest, wordt het snoer mogelijk doorgesneden of gegrepen en kan uw hand of arm in het draaiende accessoire worden getrokken.
- l. **Leg het gereedschap nooit neer voordat het accessoire volledig tot stilstand is gekomen.** Het ronddraaiende accessoire kan mogelijk in contact met de oppervlakte komen waardoor u de controle over het gereedschap verliest.

- m. **Gebruik het gereedschap niet terwijl u het aan uw zijde draagt.** Per ongeluk contact met het ronddraaiende accessoire kan uw kleding grijpen waardoor het accessoire naar uw lichaam wordt getrokken.
- n. **Maak de luchtgaten van het gereedschap regelmatig schoon.** De ventilator van de motor zuigt het stof in de behuizing en extreme ophoping van metaaldeeltjes kan een elektrische schok veroorzaken.
- o. **Bedien het gereedschap niet in de buurt van ontvlambare materialen.** Vonken kunnen deze materialen doen ontbranden.
- p. **Gebruik geen accessoires die koelvloeistof nodig hebben.** Het gebruik van water of andere koelvloeistoffen kan leiden tot elektrocutie of een elektrische schok.

7) OORZAKEN EN VOORKOMING VAN TERUGSLAG

Terugslag is een plotselinge reactie op een ronddraaiend wiel, steunkussens, borstel of ander accessoire dat bekneld of gegrepen wordt. Beknelling of grijpen zorgt voor het snel vastlopen van het ronddraaiende accessoire dat op zijn beurt zorgt dat het onbeheersbare gereedschap in de tegenovergestelde richting van de draaiing van het accessoire wordt gedwongen op het bevestigingspunt. Als bijvoorbeeld een schuurwiel wordt gegrepen of bekneld raakt door het werkstuk, kan de rand van het wiel die er bij het beknellingpunt ingaat in het oppervlak van het materiaal slaan waardoor het wiel naar buiten loopt of terugslaat. Het wiel kan ofwel naar de operator toe of van hem vandaan springen, afhankelijk van de richting van de wielbeweging op het beknellingpunt. Schuurwielen kunnen onder deze omstandigheden ook afbreken. Terugslag is het gevolg van een verkeerd gebruik en/of onjuiste gebruiksomstandigheden van het gereedschap en kan wordenvoorkomen door geschikte voorzorgsmaatregelen te nemen zoals hieronder vermeld:

- a. **Houd het gereedschap voortdurend stevig vast en plaats uw lichaam en arm zo dat u terugslagkrachten kunt weerstaan.** Gebruik altijd een hulphandgreep indien meegeleverd voor maximale beheersing van terugslag of torsiereactie tijdens het opstarten. De operator kan torsiereactie of terugslagkrachten beheersen als de juiste voorzorgsmaatregelen worden genomen.
- b. **Plaats uw handen nooit in de buurt van het ronddraaiende accessoire.** Het accessoire kan over uw hand terugslaan.
- c. **Plaats uw lichaam niet in het gebied waar het gereedschap naartoe zal gaan als zich terugslag voordoet.** Terugslag zorgt dat het gereedschap wegschiet in de tegenovergestelde richting van de wielbeweging op het beknellingpunt.

- d. **Wees extra voorzichtig als u hoeken, scherpe randen, enz. bewerkt.** Voorkom dat het accessoire stuitert of blijft hangen. Hoeken, scherpe randen en stuiteren kunnen er vaak toe leiden dat het ronddraaiende accessoire blijft hangen en kunnen verlies van controle of terugslag veroorzaken.
- e. **Bevestig geen houtsnijzaag of getand zaagblad aan het gereedschap.** Dergelijke zaagbladen kunnen herhaaldelijke terugslag en verlies van controle veroorzaken.
- f. **Bevestig geen versterkte slijpschijf aan het gereedschap.** Dergelijke gereedschappen kunnen afbreken en verwondingen veroorzaken.

8) VEILIGHEIDSWAARSCHUWINGEN SPECIAAL VOOR SCHUURWERKZAAMHEDEN

- a. **Gebruik uitsluitend wieltypes die zijn aanbevolen voor uw elektrische gereedschap en de specifieke beveiliging die is ontworpen voor het gekozen wiel.** Wielen waarvoor het elektrische gereedschap niets is ontwikkeld kunnen niet adequaat worden beveiligd en zijn onveilig.
- b. **Het slijpoppervlak van de in het midden ingedrukte schijven moet worden gemonteerd onder het vlak van de beveiligingslip.** Een schijf die niet goed is gemonteerd en uitsteekt door het vlak van de beveiligingslip heen, kan niet naar behoren worden afgeschermd.
- c. **De beschermkap moet voor maximale veiligheid stevig zijn vastgemaakt aan en geplaatst zijn op het elektrisch gereedschap, zodat het gedeelte dat onafgeschermd is voor de gebruiker zo klein mogelijk is.** De beschermkap helpt de gebruiker te beschermen tegen afgebroken deeltjes van de schijf en voorkomt dat de gebruiker in contact komt met de schijf en met vonken die kleding in brand kunnen zetten.
- d. **Wielen mogen uitsluitend worden gebruikt voor de aanbevolen toepassingen. Bijvoorbeeld: slijp niet met de zijkant van een snijdwiel.** Schurende snijdwielen zijn bedoeld voor perifeer slijpen; zijwaartse krachten kunnen ervoor zorgen dat deze wielen barsten.
- e. **Gebruik altijd onbeschadigde wielflenzen van de juiste grootte en vorm voor het wiel van uw keuze.** De juiste wielflenzen ondersteunen het wiel en verminderen zo de mogelijkheid dat het wiel breekt. Flenzen voor snijdwielen kunnen verschillen van wielflenzen voor slijpen.
- f. **Gebruik geen versleten wielen van grotere elektrische gereedschappen.** Een wiel dat is bedoeld voor een groter elektrisch gereedschap is niet geschikt voor de hogere snelheid van een kleiner gereedschap en kan barsten.

9) VEILIGHEIDSWAARSCHUWINGEN SPECIAAL VOOR SCHUURWERKZAAMHEDEN

- a. **Gebruik geen schuurpapier dat veel te groot is. Volg de aanbevelingen van de fabrikant op bij het uitkiezen van schuurpapier.** Groter schuurpapier dat uit het schuurkussen steekt, veroorzaakt gevaar van openrijten en kan beknelling of scheuren van de schijf of terugslag veroorzaken.
- b. **Pas de snelheid van de aan zoals aanbevolen is voor schuurtoepassingen.** Schuren met hoge snelheid veroorzaakt risico op verwonding en brandgevaar.

AANVULLENDE VEILIGHEIDSWAARSCHUWINGEN



Draag gehoorbescherming; Draag oogbescherming; Draag een stofmasker; Draag beschermende handschoenen.

- a. **Gebruik geschikte detectoren om te bepalen of er elektriciteitsleidingen in het werkgebied zijn verborgen of bel het lokale energiebedrijf voor assistentie.** Contact met elektrische leidingen kan brand veroorzaken en elektrische schokken tot gevolg hebben. Beschadiging van een gasleiding kan tot ontploffing leiden. Het binnendringen van water veroorzaakt schade aan eigendommen of kan een elektrische schok veroorzaken.
- b. **Laat de aan/ uit-schakelaar los en zet hem in de uit-stand als de stroomvoorziening wordt onderbroken, bijvoorbeeld bij een stroomstoring of als de stekker uit het stopcontact wordt getrokken.**
- c. **Raak de slijp- en snijdschijven niet aan voordat ze zijn afgekoeld.** De schijven kunnen tijdens het werk erg heet worden.
- d. **Bevestig het werkstuk.** Een werkstuk dat is vastgeklemd met kleinrichtingen of in een bankschroef is stabielere dan als het met de hand wordt vastgehouden.

PRODUCTBESCHRIJVING EN SPECIFICATIES



Lees alle veiligheidswaarschuwingen en alle instructies. Het negeren van de waarschuwingen en instructies kan een elektrische schok, brand en/ of ernstig letsel tot gevolg hebben.

BEOOGD GEBRUIK

De machine is ontworpen voor slijp- en schuurtoepassingen. De machine is ontworpen en gebouwd voor gebruik met hulpstukken die door de fabrikant zijn geleverd. De machine kan alleen worden gebruikt voor droge toepassingen zonder gebruik van water.

10) CE - VERKLARING VAN OVEREENSTEMMING:

Arbortech verklaart dat het product PWC. FG.900.60 dat in deze handleiding onder "Technische Specificaties" wordt beschreven, is vervaardigd in overeenstemming met de EN 60745-gestandaardiseerde documenten, EMC 2014/30/EU en RoHS 2011/65/EU richtlijnen.

Technisch bestand in overeenstemming met Machineryrichtlijn 2006/42/EG op: Arbortech PTY LTD | 67 Westchester Road, Malaga, WA 6090

Sven Blicks
General Manager

Vermogen	230-240	V
Vermogen	1000	W
Frequentie	50	Hz
Beschermingsklasse	II	II
Nominale snelheid	2 000 - 12 000	rpm
Gereedschapsdiameter	115	mm
Maat boorbevestiging	22.2	mm
Bevestigingsschroefmaat	M14	-
Gewicht	2.35	kg
Trillingsemisatie (k = 1,5)	9.58	m/s ²
Geluidsdruk niveau	$L_{wA} = 90$ $K_{wA} = 3$	dB(A)
Geluidsvermogens niveau	$L_{wA} = 101$ $K_{wA} = 3$	dB(A)

WAARSCHUWING: The Het aangegeven trillingsemissieniveau vertegenwoordigt de belangrijkste toepassingen van het gereedschap. Als het gereedschap echter voor verschillende toepassingen, met verschillende accessoires of inbrenggereedschap wordt gebruikt of slecht wordt onderhouden, kan de trillingsemisatie verschillen. Dit kan het blootstellingsniveau tijdens de totale werkperiode aanzienlijk verhogen.

Bij een schatting van het niveau van blootstelling aan trillingen moet ook rekening worden gehouden met de tijdstippen waarop het gereedschap is uitgeschakeld of wanneer het draait, maar niet daadwerkelijk wordt gebruikt. Dit kan het blootstellingsniveau tijdens de totale werkperiode aanzienlijk verminderen. Bepaal aanvullende veiligheidsmaatregelen om de gebruiker te beschermen tegen de gevolgen van trillingen.

MONTAGE



WAARSCHUWING: om het risico op ernstig persoonlijk letsel te verminderen, schakelt u het gereedschap uit en ontkoppelt u het van de stroombron voordat u aanpassingen aanbrengt of gereedschap of accessoires verwijderd / installeert.

HULPHANDVAT

Schroef de hendel (2) in een van de zijopeningen op de kop van de molen, zoals getoond in Fig. B. Zorg ervoor dat het handvat veilig is voor gebruik.

METALEN AFSCHERMING

Wanneer u een slijpschijf gebruikt, installeert u eerst de metalen bescherming (5) over de kraag (10) en draait u de beschermkap op het gereedschap zodat de gesloten zijde van de afscherming altijd naar de gebruiker wijst, zoals weergegeven in Afb. C. Draai de schroef vast (12) zodat de beschermer niet uit positie kan komen.

FLENZEN EN WIELEN

Monteer de steunflens (7) op de spil (9) met de gleuf georiënteerd zodat deze vergrendelt met de spil. Monteer de schijf en zorg ervoor dat deze goed op de flens rust en schroef vervolgens de borgmoer (8) vast. Druk de spindelvergrendeling (6) in en draai de borgmoer vast met de steeksleutel (13).

SPAANVANGER EN SCHUURPLAAT

Bij gebruik van een schuurzool eerst de spanenvanger (17) over de kraag (10) monteren, daarna de extra handgreep (2) en de zijschroef (18) vastdraaien. Draai de schuurzool (16) vast over de as zonder de steunflens.

Raadpleeg de bijbehorende instructies voor installatie en gebruik van andere Arbortech-accessoires.

SPAANVANGER EN SCHUURPLAAT

Bij gebruik van een schuurzool eerst de spanenvanger (17) over de kraag (10) monteren, daarna de extra handgreep (2) en de zijschroef (18) vastdraaien. Draai de schuurzool (16) vast over de as zonder de steunflens.

SPAANVANGER EN SCHUURPLAAT

Bij gebruik van een schuurzool eerst de spanenvanger (17) over de kraag (10) monteren, daarna de extra handgreep (2) en de zijschroef (18) vastdraaien. Draai de schuurzool (16) vast over de as zonder de steunflens.

GEBRUIK



WAARSCHUWING: Lees altijd de veiligheidsinstructies en toepasselijke voorschriften. Om het risico op letsel te verminderen, schakelt u het apparaat uit en ontkoppelt u van de stroombron voordat u aanpassingen aanbrengt of accessoires verwijderd of installeert

- a) **De elektromotor is ontworpen voor de spanning die op het etiket staat vermeld.** Controleer altijd of de voedingsspanning overeenkomt met de spanning aangegeven op de motor.
- b) **Draag altijd correcte veiligheidskleding, inclusief oor-, oog- en longbescherming.**
- c) **Volg de veiligheidsvoorschriften van de lokale overheid bij het werken aan materialen die zijn behandeld met of die giftige stoffen bevatten.**
- d) **Gebruik dit gereedschap niet in natte omstandigheden of in de buurt van ontvlambare vloeistoffen en gassen.**
- e) **Controleer het gereedschap voor gebruik. De slijpschijf moet correct worden gemonteerd en moet vrij kunnen bewegen.** Test eerst het elektrische gereedschap zonder belasting voor gebruik. Gebruik geen beschadigd, ongebalanceerd of trillend gereedschap.
- f) **Oefen geen druk uit of zet de machine niet zo zwaar onder druk dat deze tot stilstand komt.** Na een zware belasting van het elektrische gereedschap, laat het gedurende een minuut onbelast draaien om het accessoire te laten afkoelen.
- g) **Raak snijgereedschappen niet aan voordat ze zijn afgekoeld.** De schijven kunnen tijdens het werk erg heet worden.



WAARSCHUWING: gebruik altijd twee handen om dit elektrische gereedschap te bedienen, plaats de linkerhand op de extra handgreep en rechts op de behuizing van het gereedschap, zodat u de motor op elk moment kunt in- en uitschakelen. Gebruik altijd beschermende handschoenen tijdens het gebruik van dit gereedschap.

Zorg dat een geschikte snelheidsinstelling is geselecteerd voor de toepassing uit de onderstaande tabel. Ondersteun en beveilig het werkstuk om

beweging en verlies van controle te voorkomen.

Zorg ervoor dat de machine loopt alvorens het werkstuk aan te sluiten. Benader het werkstuk voorzichtig, vermijd plotseling grijpen en druk het voorzichtig aan. Houd de molen onder een hoek van 15 ° -30 ° voor het slijpen en 5 ° -30 ° voor het schuren, zoals weergegeven in Afb. D. Verplaats het gereedschap in de gewenste richting, waarbij u contact houdt tussen het werkstuk en de schijf.

Accessoire	Snelheidsinstelling	Toepassing
slijpschijf	5 – 6	Malen
schuurblok	1 – 3	Hout, metaal en an-dere materialen schuren. Gebruik een lagere snelheid met grotere korrel schuurpapier

UIT- EN INSCHAKELEN

Om het elektrische gereedschap te starten, druk de Aan / Uit-schakelaar (3) naar voren. Om de schakelaar te vergrendelen, druk het aan de voorkant naar beneden totdat het vergrendelt. Om het gereedschap uit te schakelen, laat de aan / uit-schakelaar los of, als het vergrendeld is, druk kort op de achterkant van de schakelaar en laat het los.



WAARSCHUWING: het gereedschap bevat een herstartpreventie-functie, die ongecontroleerd herstarten na een onderbreking van de stroomvoorziening voorkomt. Om de werking te hervatten, schakel het gereedschap naar de uitstand en start de machine opnieuw.

ONDERHOUD



WAARSCHUWING: Koppel de machine los van het elektriciteitsnet voordat u de machine instelt, reinigt of onderhoudt.

Inspecteer de accessoires op beschadiging en onderhoud ze zoals gespecificeerd in de gebruikershandleiding. Als de afscherming kapot is of delen van de afscherming losraken en kunnen worden losgemaakt, vervang dan beschadigde onderdelen. Gebruik het gereedschap niet zonder de juiste bescherming die is gespecificeerd voor de beoogde toepassing.

Voor uw veiligheid en de betrouwbaarheid van dit product, moeten alle elektrische reparaties en onderhoud van de interne onderdelen, met uitzondering van het onderhoud van accessoires en hulpstukken, worden uitgevoerd door geautoriseerde servicecentra van Arbortech.

REINIGING VAN DE VENTILATIEOPENINGEN EN SCHAKELAAR

Controleer regelmatig of er stof of vreemde deeltjes in de ventilatieopeningen zijn gekomen, die zich aan de voor- en achterkant van de motor (14 en 15) of onder de aan / uit-schakelaar bevinden. Gebruik in dat geval een zachte borstel om opgehoopt stof te verwijderen om de ventilatieopeningen te reinigen en om te schakelen. Reinig de accessoires van stof om opbouw te voorkomen en vermijd onjuiste montage, opstelling en afstellingen.

OPTIONELE ACCESSOIRES

Gebruik alleen de door Arbortech aanbevolen accessoires en hulpstukken om verwondingen te voorkomen of uw gereedschap te beschadigen. Raadpleeg uw dealer voor de beschikbaarheid van optionele accessoires

Fig. B

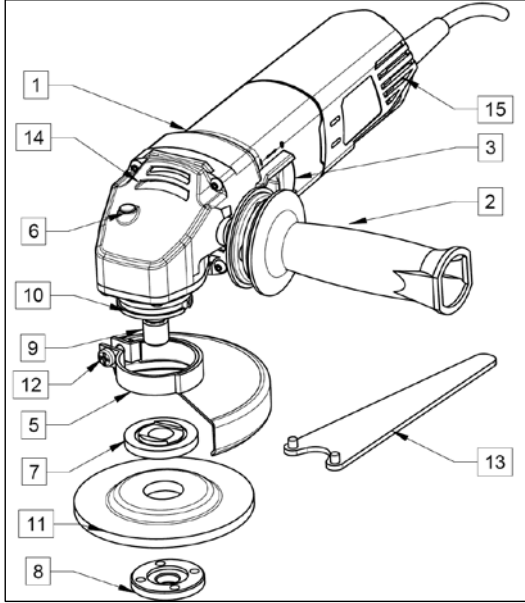


Fig. E

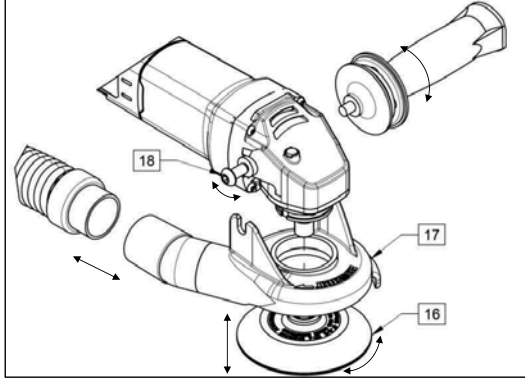


Fig. A

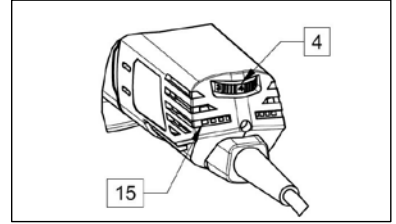


Fig. C

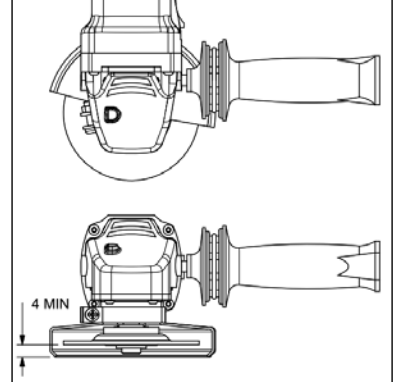
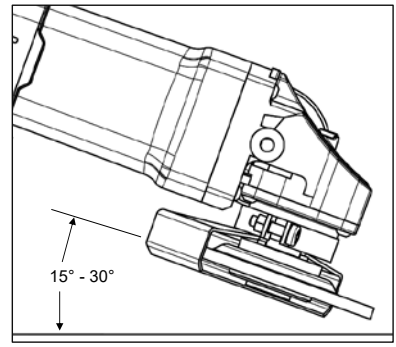


Fig. D



1	Meuleuse d'angle	7	Bride de support	13	Clé à ergots
2	Manche auxiliaire	8	Écrou de blocage	14	Évents avant
3	Interrupteur marche/arrêt	9	Broche	15	Évents arrière
4	Cadran de réglage de la vitesse	10	Collier de la meuleuse	16	Patin de ponçage
5	Protection métallique	11	Meule	17	Chip Catcher
6	Bouton de blocage de la broche	12	Vis de serrage de garde	18	Vis latérale



CONSIGNES DE SÉCURITÉ GÉNÉRALES PROPRES AUX OUTILS ÉLECTRIQUES



AVERTISSEMENT - VEUILLEZ CONSULTER TOUTES LES ILLUSTRATIONS ET LIRE TOUTES LES INSTRUCTIONS, TOUTES LES SPÉCIFICATIONS ET TOUS LES AVERTISSEMENTS DE SÉCURITÉ FOURNIS AVEC CET OUTIL ÉLECTRIQUE..

Tout manquement aux directives et consignes ci-incluses comporte des risques de décharges électriques, d'incendie et/ou de dommages corporels graves.

CONSERVER TOUTES CES DIRECTIVES ET CONSIGNES À TITRE DE RÉFÉRENCE

Le terme « outil électrique » mentionné dans les avertissements ci-après se rapporte aux outils alimentés sur secteur (avec fil) ou par piles (sans fil).

1) SÉCURITÉ – AIRE DE TRAVAIL

- Maintenir l'aire de travail propre et bien éclairée.** Les lieux sombres ou encombrés sont propices aux accidents.
- Ne pas utiliser un outil électrique dans un milieu déflagrant, comme en présence de liquides, gaz ou poussières inflammables.** Les outils électriques peuvent produire des étincelles qui pourraient enflammer toute émanation ou poussière ambiante.
- Maintenir à l'écart les enfants, ou toute autre personne, lors de l'utilisation d'un outil électrique.** Toute distraction pourrait faire perdre la maîtrise de l'appareil.

2) SÉCURITÉ – ÉLECTRICITÉ

- La fiche électrique de l'outil doit correspondre à la prise murale.** Ne modifier la fiche en aucune façon. Ne pas utiliser de fiche d'adaptation avec un outil électrique mis à la terre (masse). L'utilisation de fiches d'origine et de prises appropriées réduira tout risque de décharges électriques
- Éviter tout contact corporel avec des éléments mis à la terre comme : tuyaux, radiateurs, cuisinières ou réfrigérateurs.** Les risques de décharges électriques augmentent lorsque le corps est mis à la terre.
- Ne pas exposer les outils électriques à la pluie ou à l'humidité.** Tout contact d'un outil

électrique avec un liquide augmente les risques de décharges électriques.

- Ne pas utiliser le cordon de façon abusive.** Ne jamais utiliser le cordon pour transporter, tirer ou débrancher un outil électrique. Protéger le cordon de toute source de chaleur, de l'huile, et de tout bord tranchant ou pièce mobile. Les cordons endommagés ou emmêlés augmentent les risques de décharges électriques
- En cas d'utilisation d'un outil électrique à l'extérieur, utiliser systématiquement une rallonge conçue à cet effet.** Cela diminuera tout risque de décharges électriques.
- Si on ne peut éviter d'utiliser un outil électrique en milieu humide, utiliser un circuit protégé par un dispositif de courant résiduel (RCD).** Cela réduira tout risque de décharges électriques.

3) SÉCURITÉ INDIVIDUELLE

- Rester systématiquement vigilant et faire preuve de jugement lorsqu'on utilise un outil électrique.** Ne pas utiliser d'outil électrique en cas de fatigue ou sous l'influence de drogues, d'alcool ou de médicaments. Tout moment d'inattention pendant l'utilisation d'un outil électrique comporte des risques de dommages corporels graves.
- Porter un équipement de protection individuel. Porter systématiquement un dispositif de protection oculaire.** Le fait de porter un masque anti-poussières, des chaussures antidérapantes, un casque de sécurité ou un dispositif de protection auditive, lorsque la situation le requiert, réduira les risques de dommages corporels.
- Prévenir tout démarrage accidentel. S'assurer que l'interrupteur est en position d'arrêt avant de brancher l'outil sur le secteur et/ou à la batterie, ou de le ramasser ou le transporter.** Transporter un outil le doigt sur l'interrupteur ou brancher un outil électrique alors que l'interrupteur est en position de marche invite les accidents.
- Retirer toute clé de réglage avant de démarrer l'outil.** Une clé laissée sur une pièce rotative d'un outil électrique comporte des risques de dommages corporels.
- Adopter une position stable. Maintenir les pieds bien ancrés au sol et conserver son équilibre en permanence.** Cela permettra de mieux maîtriser l'outil électrique en cas de situations imprévues.
- Porter des vêtements appropriés. Ne porter aucun vêtement ample ou bijou.** Maintenir cheveux, vêtements et gants à l'écart des pièces mobiles, car ils pourraient s'y faire prendre.
- Lorsqu'un dispositif de connexion à un système de dépoussiérage ou d'élimination est fourni, s'assurer qu'il est branché et utilisé correctement.** L'utilisation de ces dispositifs peut réduire les risques engendrés par les poussières.

- h. **Ne laissez pas la familiarité acquise avec l'utilisation des outils vous pousser à sous-estimer leur sécurité.** Une action négligente peut causer des blessures graves en une fraction de seconde.

4) UTILISATION ET ENTRETIEN DES OUTILS ÉLECTRIQUES

- a. **Ne pas forcer un outil électrique.** Utiliser l'outil approprié au travail en cours. L'outil approprié effectuera un meilleur travail, de façon plus sûre et à la vitesse pour laquelle il a été conçu.
- b. **Ne pas utiliser un outil électrique dont l'interrupteur est défectueux.** Tout appareil dont l'interrupteur est défectueux est dangereux et doit être réparé.
- c. **Débrancher la fiche du secteur et/ou la batterie de l'outil électrique avant d'effectuer tout réglage, de changer tout accessoire, ou avant de le ranger.** Ces mesures préventives réduiront tout risque de démarrage accidentel de l'appareil.
- d. **Après utilisation, ranger les outils électriques hors de portée des enfants et ne permettre à aucune personne non familière avec son fonctionnement (ou sa notice d'instructions) de l'utiliser.** Les outils peuvent être dangereux entre des mains inexpérimentées.
- e. **Entretenir les outils électriques. Vérifier les pièces mobiles pour s'assurer qu'elles sont bien alignées et tournent librement, qu'elles sont en bon état et ne sont affectées d'aucune condition susceptible de nuire au bon fonctionnement de l'outil.** En cas de dommage, faire réparer l'outil électrique avant toute nouvelle utilisation. De nombreux accidents sont causés par des outils mal entretenus.
- f. **Maintenir tout organe de coupe propre et bien affûté.** Les outils de coupe bien entretenus et affûtés sont moins susceptibles de se coincer et sont plus faciles à contrôler.
- g. **Utiliser un outil électrique, ses accessoires, mèches, etc., conformément aux présentes directives et suivant la manière prévue pour ce type particulier d'outil électrique, en tenant compte des conditions de travail et de la tâche à effectuer.** L'utilisation d'un outil électrique à des fins autres que celles prévues est potentiellement dangereuse.
- h. **Gardez les poignées et les surfaces de préhension sèches, propres et exemptes d'huile et de graisse.** Les poignées glissantes et les surfaces de préhension ne permettent pas une manipulation et un contrôle sûrs de l'outil dans des situations imprévues.

5) RÉPARATION

- a. **Faire entretenir les outils électriques par un réparateur qualifié en n'utilisant que des pièces de rechange identiques.** Cela permettra de préserver l'intégrité de l'outil électrique et la sécurité de l'utilisateur.



AVERTISSEMENTS RELATIFS À LA SÉCURITÉ DES MEULEUSES

6) AVERTISSEMENTS DE SÉCURITÉ COMMUNS AUX OPÉRATIONS DE MEULAGE ET DE PONÇAGE

- a. **Cet outil électrique est destiné à être utilisé comme outil de meulage, de sablage ou de sculpture sur bois.** Veuillez consulter toutes les illustrations et lire toutes les instructions, toutes les spécifications et tous les avertissements de sécurité fournis avec cet outil électrique. Ne pas respecter l'ensemble des instructions mentionnées ci-dessous pourrait entraîner une décharge électrique, un incendie et/ou de graves blessures.
- b. **Les opérations telles que le polissage ne sont pas recommandées avec cet outil électrique.** Toute opération pour laquelle l'outil n'a pas été conçu comporte des risques de dommages matériels et corporels.
- c. **Ne pas utiliser des accessoires qui n'ont pas été spécifiquement conçus et recommandés par le fabricant de l'outil.** Le fait que l'accessoire peut être rattaché à l'outil électrique ne veut pas automatiquement dire que son utilisation ne posera aucun risque.
- d. **La vitesse nominale des accessoires doit être équivalente ou supérieure à celle recommandée sur l'étiquette d'avertissement de l'outil.** Les accessoires utilisés à une vitesse plus rapide que leur vitesse nominale peuvent éclater ou se détacher de l'outil.
- e. **Le diamètre externe et l'épaisseur de l'accessoire utilisé doivent se conformer aux spécifications de la plaque signalétique de l'outil électrique.** Les accessoires aux spécifications incorrectes ne peuvent être ni maintenus ni contrôlés de façon adéquate.
- f. **Le filetage de montage des accessoires doit correspondre à celui de l'axe de la meuleuse.** Pour les accessoires montés avec des brides, l'alésage de l'accessoire doit correspondre au diamètre de positionnement de la bride. Les accessoires qui ne correspondent pas au dispositif de montage de l'outil électrique ne tournent pas correctement, vibrent de façon excessive et peuvent provoquer la perte de contrôle de l'outil.
- g. **Ne pas utiliser d'accessoires endommagés.**

Avant toute utilisation, vérifier tous les accessoires, par exemple que les meules abrasives ne sont ni ébréchées ni fendues, les tampons de soutien ne sont ni fendus ni usés excessivement, les brosses métalliques ne comportent aucun élément brisé ou lâche.

En cas de chute, vérifier que l'outil n'a pas été endommagé et remplacer tout accessoire abîmé. Après avoir inspecté et installé un accessoire, se situer, soi-même et tout individu présent, hors du plan de rotation de l'accessoire et laisser tourner l'outil une minute à sa vitesse à vide maximale. En général, tout accessoire endommagé se brisera lors du temps d'essai.

- h. **Porter un équipement de protection individuel. Selon l'application, utiliser une protection faciale et des lunettes ou un masque de protection.** Si approprié, porter un masque anti-poussières, une protection auditive, des gants et un tablier d'atelier capables de vous protéger contre toute projection abrasive ou tout fragment. La protection oculaire doit être capable d'arrêter toute projection de débris engendrés par des opérations diverses. Le masque anti-poussières doit être capable de filtrer les particules engendrées par l'opération en cours. Toute exposition prolongée à un haut niveau de décibels peut occasionner une perte de l'acuité auditive
- i. **Maintenir à distance toute personne étrangère au travail en cours.** Toute personne à l'intérieure de l'aire de travail doit porter un équipement de protection individuel. Des débris provenant de la pièce à travailler ou d'un accessoire brisé pourraient être éjectés et causer des dommages corporels au-delà de l'aire de travail immédiate.
- j. **Ne tenez l'outil que par ses surfaces de préhension isolées lorsque vous réalisez une opération pendant laquelle l'accessoire de coupe peut entrer en contact avec des câbles cachés ou son propre cordon électrique.** Tout contact de l'accessoire de coupe avec un fil sous tension peut mettre les parties métalliques exposées de l'outil sous tension et provoquer un choc électrique à l'utilisateur.
- k. **Maintenir le cordon électrique éloigné de la partie rotative de l'outil.** En cas de perte de contrôle, le cordon pourrait être sectionné ou abîmé, et les bras ou mains pourraient entrer en contact avec l'organe rotative
- l. **Attendre systématiquement l'arrêt complet de l'outil avant de le déposer.** L'organe rotatif pourrait s'accrocher à la surface utilisée et rendre l'outil dangereusement imprévisible.
- m. **Ne pas laisser l'outil électrique en marche alors qu'il est accroché à votre côté.** Tout contact accidentel de l'organe rotatif pourrait faire que ce dernier s'accroche aux vêtements et qu'un accessoire entre en contact avec le corps.
- n. **Nettoyer régulièrement les orifices d'aération de l'outil.** Le ventilateur du moteur attirera de la poussière à l'intérieur du boîtier et une accumulation excessive de poussières métalliques pourrait poser des risques d'électrocution/incendie.

- o. **Ne pas utiliser cet outil électrique à proximité de matériaux inflammables, car des étincelles pourraient les enflammer**
- p. **Ne pas utiliser d'accessoires nécessitant l'utilisation d'un réfrigérant fluide.** L'utilisation d'eau ou de tout autre réfrigérant fluide pourrait poser des risques d'électrocution ou de décharges électriques.

7) MISES EN GARDE CONCERNANT LES CHOCS EN RETOUR

Les rebonds sont la conséquence du grippage ou coinçage d'une meule, d'un tampon de soutien, d'une brosse en rotation ou de tout autre accessoire. Tout grippage ou coinçage causera rapidement le blocage de l'accessoire en rotation, ce qui lancera l'outil non contrôlé dans la direction opposée à l'accessoire en rotation au point du grippage. Par exemple, si une meule abrasive reste accrochée ou pincée dans une pièce à travailler, le bord de la meule engagée au point de grippage peut s'enfoncer dans la surface du matériau et faire tressauter ou rebondir la meule. La meule peut alors rebondir vers ou à l'opposé de l'utilisateur, selon la direction du mouvement de la meule au point de grippage. Dans ces conditions, il peut aussi arriver que les meules abrasives se brisent. Les rebonds proviennent d'une utilisation impropre de l'outil ou de conditions ou procédures d'exécution incorrectes, et peuvent être évités en prenant les précautions adéquates énoncées ci-dessous:

- a. **Maintenir la scie fermement en positionnant le corps et les bras de façon à pouvoir résister à toute force de rebonds.** Utiliser systématiquement la poignée latérale, si fournie avec l'outil, pour un contrôle maximal de l'outil en cas de rebonds ou retour de couple au démarrage. L'utilisateur peut contrôler le retour de couple ou les forces de rebonds si des précautions adéquates sont prises
- b. **Ne jamais approcher les mains de l'organe rotatif.** L'accessoire pourrait rebondir sur les mains
- c. **Ne pas positionner le corps dans l'espace que pourrait occuper l'outil en cas de rebonds.** Les rebonds projeteront l'outil dans la direction opposée au mouvement de la meule au point de grippage.
- d. **Prendre des précautions supplémentaires pour travailler des coins, des bords acérés, etc. Éviter que l'accessoire sursaute ou reste accroché.** Les coins, bords acérés ou les sursauts ont tendance à retenir l'accessoire en rotation et causer la perte de contrôle de l'outil, ou des rebonds.
- e. **Ne pas rattacher une lame à chaîne coupante, à sculpter ou une lame dentée.** Ces lames posent des risques de rebonds fréquents et de perte de contrôle de l'outil
- f. **N'attachez pas de meule de tronçonnage abrasive renforcée.** De tels outils peuvent se détacher et entraîner des blessures.

8) CONSIGNES SPÉCIFIQUES DE SÉCURITÉ PROPRES AU POLISSAGE ET AU TRONÇONNAGE ABRASIF

- Utiliser uniquement des types de meules recommandés pour votre outil électrique ainsi que le carter spécifiquement conçu pour la meule choisie.** Les meules non conçues pour un outil électrique ne peuvent être adéquatement protégées et sont dangereuses.
- La surface de meulage des disques à moyeu déporté doit être montée sous le plat de la lèvre du carter.** Un disque mal monté qui dépasse du bord du carter de protection ne peut pas être correctement protégé.
- Le carter doit être soigneusement fixé à l'outil électrique et placé de façon à optimiser la sécurité, afin que l'utilisateur soit le moins possible exposé au disque.** Le carter doit protéger l'utilisateur contre des fragments de disques cassés, le contact accidentel avec ces derniers et des étincelles qui pourraient enflammer les vêtements.
- Les meules ne doivent être utilisées que pour les applications recommandées.** Par exemple : ne pas meuler avec la partie latérale d'une meule à tronçonner. Les meules à tronçonner ont été conçues pour le meulage périphérique, toute force latérale appliquée sur ces meules pourrait les faire éclater.
- Utiliser systématiquement des brides de meules en parfait état, de taille et forme adaptées à la meule choisie.** Les brides de meules servent de support aux meules, réduisant ainsi les possibilités que la meule se brise. Les brides de meules à tronçonner peuvent différer des brides de disques à meuler.
- Ne pas utiliser de meules émoussées lors de leur utilisation sur des outils électriques plus gros.** Les meules conçues pour des outils électriques plus gros ne sont pas adéquates pour les vitesses plus rapides des outils plus petits, et risqueraient d'éclater.

9) MISES EN GARDE CONCERNANT LES SUPPLÉMENTAIRES SPÉCIFIQUES AUX OPÉRATIONS DE PONÇAGE:

- Ne pas utiliser des disques de papier abrasif de taille excessive.** Suivre les recommandations du fabricant lors de la sélection du papier à poncer. Les feuilles de papier abrasif de grande taille, dépassant du tampon ponçeur, posent des risques de lacération, et peuvent faire que le disque s'accroche ou se déchire, ou causer des rebonds.

- Ajustez la vitesse du comme recommandé pour les applications de sablage.** Un sablage à haute vitesse entraîne des risques de lacération et de brûlure.

AVERTISSEMENTS DE SÉCURITÉ SUPPLÉMENTAIRES



Portez une protection auditive, une protection oculaire, un masque anti-poussière et des gants de protection.

- Utilisez des détecteurs appropriés afin de déterminer si des lignes de gaz, d'eau ou autres sont cachées dans la zone de travail, ou appelez le fournisseur local concerné pour obtenir de l'aide.** Entrer en contact avec des lignes électriques peut entraîner un incendie ou une décharge électrique. Endommager une ligne de gaz peut provoquer une explosion. Pénétrer une ligne d'eau peut entraîner des dommages matériels ou une décharge électrique.
- Relâchez l'interrupteur ON/OFF et mettez-le en position OFF si l'alimentation électrique est interrompue, par exemple en cas de coupure d'électricité ou lorsque la prise secteur est débranchée.**
- Ne touchez pas les disques de meulage et de coupe avant qu'ils aient refroidi.** Les disques peuvent devenir très chauds lorsqu'ils fonctionnent.
- Sécurisez la pièce de travail.** Une pièce de travail fixée avec des dispositifs de serrage sera maintenue de façon plus sécuritaire que si vous la maintenez en place à la main.

DESCRIPTION ET SPÉCIFICATIONS DU PRODUIT



Veillez lire tous les avertissements de sécurité et toutes les instructions. Ne pas respecter l'ensemble des avertissements et instructions pourrait entraîner une décharge électrique, un incendie et/ou de graves blessures.

UTILISATION PRÉVUE

La machine est conçue pour les applications de meulage et de ponçage. La machine est conçue et fabriquée pour être utilisée avec les accessoires fournis par le fabricant. La machine ne peut être utilisée que pour des applications sèches sans utilisation d'eau.

10) CE - DÉCLARATION DE CONFORMITÉ/DECLARATION OF CONFORMITY

Arbortech déclare que le produit PWC.FG.900.60 décrit dans le présent manuel, sous « Spécifications techniques », est fabriqué conformément aux normes EN 60745, Directives EMC 2014/30/UE et RoHS 2011/65/UE.

La fiche technique conforme à la Directive 2006/42/CE relative aux machines se trouve à : Arbortech PTY LTD | 67 Westchester Road, Malaga, WA 6090



Sven Blicks
General Manager

Alimentation	230-240	V
Puissance nominale	1000	W
La fréquence	50	Hz
Classe de protection	II	II
Vitesse nominale	2 000 - 12 000	rpm
Diamètre de l'outil	115	mm
Taille de l'alésage	22.2	mm
Taille de la vis de montage	M14	-
Poids	2.35	kg
Émission de vibrations (k=1.5)	9.58	m/s ²
Niveau de pression sonore	$L_{pA} = 90$ $K_{pA} = 3$	dB(A)
Niveau de puissance son-ore	$L_{WA} = 101$ $K_{WA} = 3$	dB(A)

AVERTISSEMENT: le niveau d'émission de vibrations mentionné est celui des applications principales de l'outil. Cependant, si vous utilisez l'outil pour d'autres applications, avec des accessoires différents ou avec des outils d'insertion, ou si le Mini Carver/Mini Grinder Trade est mal entretenu, le niveau d'émission de vibrations pourrait différer. Ceci pourrait augmenter de façon significative le niveau d'exposition pendant la totalité de la période de travail.

Une estimation du niveau d'exposition aux vibrations doit également prendre en considération les périodes pendant lesquelles l'outil est éteint, ou pendant lesquelles il est en marche, mais n'est pas réellement utilisé. Ceci pourrait diminuer de façon significative le niveau d'exposition pendant la totalité de la période de travail. Identifiez des mesures de sécurité supplémentaires pour

MONTAGE

AVERTISSEMENT: pour réduire les risques de blessures graves, mettez l'outil hors tension et débranchez-le de la source d'alimentation avant de procéder à des réglages ou de retirer / installer des outils ou des accessoires.

MANCHE AUXILIAIRE

Visser la poignée (2) dans l'un des trous latéraux de la tête de la meuleuse, comme indiqué dans Fig. A. Assurez-vous que la poignée est sécurisée avant utilisation.

PROTECTION MÉTALLIQUE

Lorsque vous utilisez une meule, commencez par installer la protection métallique (5) sur le collier (10) et faites-la tourner sur l'outil de sorte que le côté fermé du dispositif de protection soit toujours dirigé vers l'opérateur, comme indiqué sur la Fig. C Serrez la vis (12) afin que le dispositif de protection ne puisse pas quitter sa position.

BRIDES ET ROUES

Montez la bride de fixation (7) sur la broche (9) avec la fente orientée de manière à ce qu'elle se bloque avec la broche. Montez le disque en s'assurant qu'il repose correctement sur la bride, puis visser le contre-écrou (8). Appuyez sur le verrou de broche (6) et serrez le contre-écrou à l'aide de la clé à ergot (13).

Pour l'installation et l'utilisation d'autres accessoires Arbortech, veuillez vous reporter aux instructions correspondantes.

RÉCUPÉRATEUR DE COPEAUX À BOIS ET PATIN DE PONÇAGE


Lorsque vous utilisez un patin à ponçage, installez d'abord le récupérateur de copeaux (17) sur le collier de la meuleuse (10), serrez la poignée auxiliaire (2) et la vis latérale (18). Serrez le patin à ponçage (16) sur la broche sans la bride d'appui.

FONCTIONNEMENT

AVERTISSEMENT: lisez toujours les consignes de sécurité et les réglementations en vigueur. Pour réduire les risques de blessures, mettez l'outil hors tension et débranchez-le de la source d'alimentation avant de procéder à des réglages ou de retirer / installer des accessoires

- Le moteur électrique a été conçu pour la tension indiquée sur l'étiquette.** Vérifiez toujours que l'alimentation correspond à la tension indiquée sur le moteur.
- Portez toujours des vêtements de sécurité appropriés, y compris un dispositif de protection des oreilles, des yeux et des poumons.**
- Respectez les réglementations du gouvernement local en matière de sécurité lorsque vous travaillez sur des matériaux traités avec ou contenant des substances toxiques.**

- d) **N'utilisez pas cet outil dans des conditions humides ou en présence de liquides et de gaz inflammables.**
- e) **Vérifiez l'outil avant de l'utiliser. La meule doit être correctement montée et doit pouvoir bouger librement.** Testez l'outil électrique sans charge avant de l'utiliser. N'utilisez pas d'outils endommagés, excentrés ou vibrants.
- f) **Ne pas exercer de pression ou une tension sur la machine au point de l'arrêter.** Après avoir utilisé l'outil électrique pendant longtemps, continuez à le faire tourner à vide pendant une minute pour refroidir l'accessoire.
- g) **Ne touchez pas les outils de coupe avant qu'ils ne soient refroidis.** Les disques peuvent devenir très chauds pendant le travail.

 **AVERTISSEMENT:** utilisez toujours l'outil avec les deux mains, en plaçant la main gauche sur la poignée auxiliaire et la droite sur le corps de l'outil pour pouvoir allumer et éteindre le moteur à tout moment. Toujours utiliser des gants de protection lors de l'utilisation de cet outil.


Assurez-vous qu'un paramètre de vitesse approprié est sélectionné pour l'application dans le tableau ci-dessous. Soutenez et fixez la pièce pour éviter tout mouvement et toute perte de contrôle.

Assurez-vous que la machine est en marche avant de toucher la pièce à travailler. Approchez la pièce avec précaution pour éviter un brouillage soudain et poussez doucement contre elle. Maintenez la meuleuse à un angle de 15° à 30° pour le meulage et de 5° à 30° pour le ponçage, comme illustré à la Fig. D. Déplacez l'outil dans le sens souhaité, en maintenant le contact entre la pièce et le disque.


Accessory	Speed Setting	Application
Meule	5 – 6	Meulage
Patin de ponçage	1 – 3	Ponçage du bois, du métal et d'autres matériaux. Utilisez une vitesse inférieure avec du pa-pier abrasif à grain élevé

ALLUMER ET ÉTEINDRE

Pour démarrer l'outil électrique, appuyez sur l'interrupteur On / Off (3). Pour verrouiller l'interrupteur, appuyez à l'avant jusqu'à ce qu'il se verrouille. Pour éteindre l'outil, relâchez l'interrupteur On / Off ou, s'il est verrouillé, appuyez brièvement sur l'arrière de l'interrupteur et relâchez-le.

 **AVERTISSEMENT:** l'outil comporte une fonction de prévention du redémarrage, qui empêche les redémarrages incontrôlés après une interruption de l'alimentation. Pour reprendre l'utilisation, mettez l'interrupteur en position d'arrêt, puis redémarrez la machine.

ENTRETIEN

 **AVERTISSEMENT:** avant toute opération de réglage, de nettoyage ou de maintenance de la machine, débranchez-la de l'alimentation électrique.

Vérifiez que les accessoires ne sont pas endommagés et entretenez-les comme indiqué dans leur manuel d'utilisation. Si le dispositif de protection est endommagé ou si des éléments de celui-ci se desserrent et peuvent tomber, remplacez les éléments endommagés. N'utilisez pas l'outil sans la protection appropriée spécifiée pour l'application envisagée.

Pour votre sécurité et la fiabilité de ce produit, toutes les réparations électriques et la maintenance des pièces internes, autres que l'entretien des accessoires, doivent être effectuées par des centres de service agréés Arbortech.

NETTOYAGE DES OUVERTURES D'AÉRATION ET DE L'INTERRUPTEUR

Vérifiez régulièrement si des poussières ou des corps étrangers ont pénétré dans les ouvertures d'aération, placés à l'avant et à l'arrière du moteur (14 et 15) ou sous l'interrupteur On / Off. Dans ce cas, utilisez une brosse douce pour enlever toute la poussière accumulée afin de nettoyer les ouvertures d'aération et l'interrupteur. Enlevez de la poussière sur les accessoires pour éviter toute accumulation et éviter un montage, une configuration et des ajustements incorrects.

ACCESSOIRES EN OPTION

Pour éviter tout risque de blessure ou de dommage de votre outil, utilisez uniquement des accessoires recommandés par Arbortech. Contactez votre revendeur pour connaître la disponibilité des accessoires en option

Fig. B

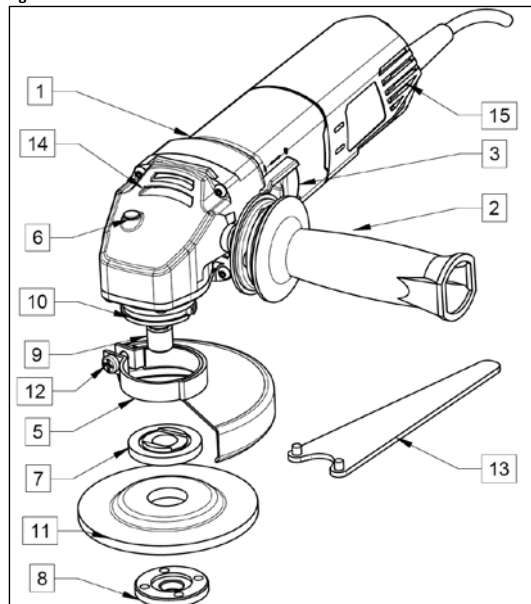


Fig. A

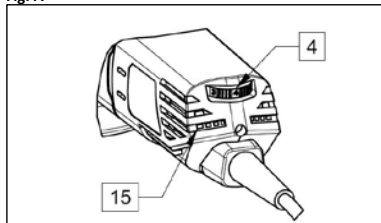


Fig. C

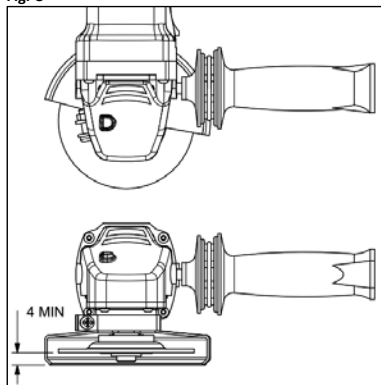


Fig. E

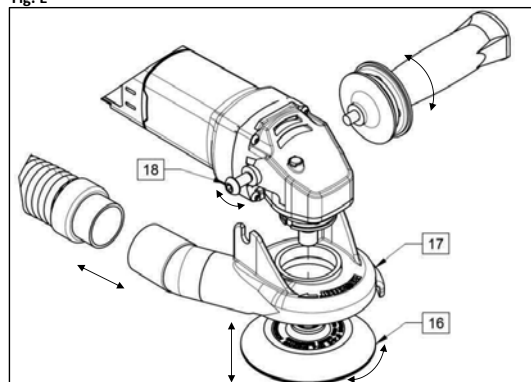
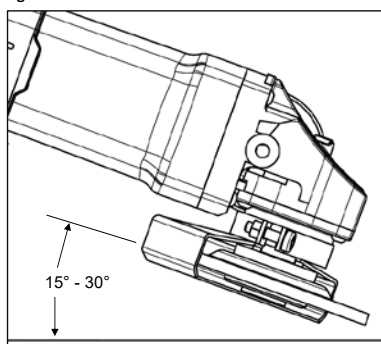


Fig. D



1	Winkelschleifergehäuse	7	Hinterlegeflansch	13	Stiftschlüssel
2	Zusatzhandgriff	8	Sicherungsmutter	14	Vordere Belüftungsöffnungen
3	Ein-/Ausschalter	9	Spindel	15	Hintere Lüftungsöffnungen
4	Einstellung Geschwindigkeit	10	Schleifmaschinenmanschette	16	Schleifkissen
5	Metallschutz	11	Schleifscheibe	17	Chip Catcher
6	Spindelarretierknopf	12	Schutz Feststellschraube	18	Seitenschraube



ALLGEMEINE SICHERHEITSHINWEISE FÜR ELEKTROWERKZEUGE



**WARNUNG - LESEN SIE ALLE
SICHERHEITSHINWEISE
ANWEISUNGEN
ABBILDUNGEN UND
SPEZIFIKATIONEN
ZU DIESEM
ELEKTROWERKZEUG
SORGFÄLTIG DURCH.**

Das Nichtbeachten von Warnhinweisen und Anweisungen kann zu elektrischem Schlag, Brand und/oder schweren Verletzungen führen.

BEWAHREN SIE ALLE WARNHINWEISE UND ANWEISUNGEN ZUM SPÄTEREN NACHSCHLAGEN AUF

Der Begriff „Elektrowerkzeug“ in den Warnhinweisen bezieht sich auf Ihr netzbetriebenes Elektrowerkzeug (mit Kabel) oder auf Ihr akkubetriebenes (kabelloses) Elektrowerkzeug.

1) SICHERHEIT IM ARBEITSBEREICH

- Halten Sie den Arbeitsbereich sauber und gut ausgeleuchtet.** Unaufgeräumte oder dunkle Bereiche begünstigen Unfälle.
- Betreiben Sie das Elektrowerkzeug nicht in explosionsgefährdeten Umgebungen, in denen sich z. brennbare Flüssigkeiten, Gase oder Staub befinden.** Elektrowerkzeuge erzeugen Funken, die den Staub oder die Dämpfe entzünden können.
- Halten Sie Kinder und Zuschauer fern, während Sie ein Elektrogerät betreiben. Ablenkung kann dazu führen, dass Sie die Kontrolle über das Gerät verlieren.**

2) ELEKTRISCHE SICHERHEIT

- Der Stecker des Elektrogerätes muss in die Steckdose passen. Ändern Sie niemals den Stecker in irgendeiner Form.** Verwenden Sie keinerlei Adapterstecker an geerdeten Elektrogeräten. Unveränderte Stecker und passende Steckdosen mindern die Gefahr eines elektrischen Schlages.
- Vermeiden Sie Körperkontakt mit geerdeten Flächen, wie Rohre, Radiatoren, Herde und Kühlgeräte.** Es besteht eine erhöhte Gefahr für einen elektrischen Schlag, wenn Ihr Körper geerdet ist.
- Setzen Sie Elektrogeräte keinem Regen oder feuchter Umgebung aus.** Wenn Wasser in das Elektrogerät eindringt, erhöht sich die Gefahr eines elektrischen Schlages.

- Überlasten Sie das Kabel nicht. Verwenden Sie niemals das Kabel, um das Elektrogerät zu tragen oder durch Ziehen vom Netz zu trennen.** Halten Sie das Kabel fern von Hitze, Öl, scharfen Kanten oder beweglichen Teilen. Beschädigte oder verhedderte Kabel erhöhen die Gefahr eines elektrischen Schlages.
- Wenn Sie ein Elektrogerät im Freien betreiben, verwenden Sie ein für den Außeneinsatz geeignetes Verlängerungskabel.** Die Verwendung von für den Außeneinsatz geeigneten Kabeln mindert die Gefahr eines elektrischen Schlages.
- Wenn der Betrieb eines Elektrogerätes in feuchter Umgebung unumgänglich ist, verwenden Sie eine durch einen Fehlerstromschutzschalter (FI-Schalter oder Rcd) geschützte Stromversorgung.** Der Einsatz eines Fehlerstromschutzschalters mindert die Gefahr eines elektrischen Schlages.

3) SICHERHEIT VON PERSONEN

- Seien Sie aufmerksam, achten Sie darauf, was Sie tun, und gehen Sie mit Vernunft an die Arbeit mit einem Elektrowerkzeug.** Benutzen Sie kein Elektrowerkzeug, wenn Sie müde sind oder unter dem Einfluss von Drogen, Alkohol oder Medikamenten stehen. Ein Moment der Unachtsamkeit beim Betrieb eines Elektrogerätes kann zu schweren Verletzungen führen.
- Tragen Sie persönliche Schutzausrüstung und immer eine Schutzbrille.** Das Tragen persönlicher Schutzausrüstung, wie Staubmaske, rutschfeste Sicherheitsschuhe, Schutzhelm oder Gehörschutz, je nach Art und Einsatz des Elektrowerkzeuges, verringert das Risiko von Verletzungen.
- Vermeiden Sie unbeabsichtigtes Starten. Vergewissern Sie sich, dass der Schalter in der AUS-Position ist, bevor Sie das Gerät an die Stromversorgung und/oder an den Akku anschließen oder wenn Sie das Gerät aufnehmen oder tragen.** Wenn Sie beim Tragen des Elektrowerkzeuges den Finger am Schalter haben oder das Gerät eingeschaltet an die Stromversorgung anschließen, kann dies zu Unfällen führen.
- Entfernen Sie alle Einstellschlüssel oder Werkzeuge, bevor Sie das Elektrogerät einschalten.** Werkzeuge oder Schlüssel, die an rotierenden Teilen des Elektrogerätes angebracht sind, können zu Verletzungen führen.
- Vermeiden Sie eine abnormale Körperhaltung. Sorgen Sie für einen sicheren Stand und halten Sie jederzeit das Gleichgewicht.** Dadurch können Sie das Elektrowerkzeug in unerwarteten Situationen besser kontrollieren.
- Tragen Sie geeignete Kleidung. Tragen Sie keine weite Kleidung und keinen Schmuck.** Halten Sie Ihre Haare, Kleidung und Handschuhe von beweglichen Teilen fern. Lose sitzende Kleidung, Schmuck oder lange Haare können sich in den beweglichen Teilen verfangen.

- g. **Wenn Geräte für den Anschluss an eine Staubabsaugung und Staubsammlung vorgesehen sind, vergewissern Sie sich, dass diese richtig angeschlossen sind und verwendet werden.** Der Einsatz von Staubsaugern kann staubbedingte Gefahren mindern.
- h. **Lassen Sie nicht durch Vertrautheit, gewonnen durch regelmäßigen Gebrauch von Werkzeugen, zu Nachlässigkeit verleiten.** Eine unvorsichtige Handlung kann innerhalb von Sekundenbruchteilen zu schweren Verletzungen führen.

4) VERWENDUNG UND PFLEGE DES ELEKTROGERÄTES

- a. **Überlasten Sie das Elektrogerät nicht. Verwenden Sie das für Ihre Arbeit passende Elektrogerät.** Das richtige Gerät wird die Aufgabe besser und sicherer erledigen, wenn es bestimmungsgemäß verwendet wird.
- b. **Benutzen Sie kein Elektrowerkzeug, dessen Schalter defekt ist.** Ein Elektrowerkzeug, das sich nicht mehr ein- oder ausschalten lässt, ist gefährlich und muss repariert werden.
- c. **Trennen Sie den Stecker vom Netz und/ oder die Akkus vom Elektrogerät, bevor Sie Einstellungen am Gerät vornehmen, Zubehör wechseln oder es aufbewahren.** Diese Vorbeugemaßnahmen mindern die Gefahr, dass das Elektrogerät unbeabsichtigt startet.
- d. **Bewahren Sie nicht verwendete Elektrogeräte für Kinder unerreichbar auf und lassen Sie nicht zu, dass Personen ohne Erfahrung mit dem Elektrogerät oder mit diesen Anweisungen das Elektrogerät bedienen.** Elektrogeräte sind in den Händen nicht geschulter Personen gefährlich.
- e. **Warten Sie die Elektrogeräte. Prüfen Sie, ob bewegliche Teile verzogen oder ausgeschlagen, ob Teile gebrochen oder in einem Zustand sind, der den Betrieb des Elektrogerätes beeinträchtigen kann. Bei Beschädigungen lassen Sie das Elektrogerät reparieren, bevor Sie es verwenden.** Viele Unfälle entstehen wegen mangelnder Wartung der Elektrogeräte.
- f. Halten Sie Schneidwerkzeuge scharf und sauber. Richtig gewartete Schneidwerkzeuge mit scharfen Klingen blockieren seltener und sind leichter unter Kontrolle zu halten.
- g. **Verwenden Sie Elektrogeräte, Zubehör und Einsätze (Bits) usw. gemäß diesen Anweisungen und unter Berücksichtigung der Arbeitsbedingungen und der Aufgabe.** Wenn Sie das Elektrogerät für Aufgaben verwenden, die nicht bestimmungsgemäß sind, kann dies zu gefährlichen Situationen führen.
- h. **Halten Sie Griffe und Griffflächen trocken, sauber und frei von Öl und Fett.** Rutschige Griffe und Griffflächen stellen in unerwarteten Situationen keine sichere Handhabung und Kontrolle des Werkzeugs sicher.

5) SERVICE

- a. **Lassen Sie Ihr Elektrowerkzeug von einem qualifizierten Fachmann warten.** Dadurch wird die Sicherheit des Elektrowerkzeugs gewährleistet.



SICHERHEITSHINWEISE FÜR WINKELSCHLEIFER

6) SICHERHEITSHINWEISE FÜR SCHLEIF- UND SCHLEIFARBEITEN:

- a. **Dieses Elektrowerkzeug ist zum Schleifen oder Schleifen bestimmt. Lesen Sie alle Sicherheitshinweise, Anweisungen, Abbildungen und technischen Daten für dieses Elektrowerkzeug sorgfältig durch.** Das Nichtbefolgen der nachfolgenden Anweisungen kann zu Stromschlägen, Bränden und/oder schweren Verletzungen führen.
- b. **Dieses Elektrowerkzeug ist nicht geeignet zum Polieren.** Verwendungen, für die das Elektrowerkzeug nicht vorgesehen ist, können Gefährdungen und Verletzungen verursachen.
- c. **Verwenden Sie kein Zubehör, das vom Hersteller nicht speziell für dieses Elektrowerkzeug vorgesehen und empfohlen wurde.** Nur weil Sie das Zubehör an Ihrem Elektrowerkzeug befestigen können, garantiert das keine sichere Verwendung.
- d. **Die zulässige Drehzahl des Einsatzwerkzeugs muss mindestens so hoch sein wie die auf dem Elektrowerkzeug angegebene Höchstdrehzahl.** Zubehör, das sich schneller als zulässig dreht, kann zerbrechen und umherfliegen.
- e. **Außendurchmesser und Dicke des Einsatzwerkzeugs müssen den Maßangaben Ihres Elektrowerkzeugs entsprechen.** Falsch bemessene Einsatzwerkzeuge können nicht ausreichend abgeschirmt oder kontrolliert werden.
- f. **Zubehör mit Gewindemontage muss mit dem Gewinde der Schleiferspindel übereinstimmen. Bei Zubehör mit Flanschbefestigung muss das Aufnahmeloch des Zubehörs mit dem Flanschdurchmesser übereinstimmen.** Zubehör, das nicht genau auf die Schleifspindel des Elektrowerkzeugs passt, dreht sich ungleichmäßig, vibriert sehr stark und kann zum Verlust der Kontrolle führen.
- g. **Verwenden Sie keine beschädigten Einsatzwerkzeuge. Kontrollieren Sie vor jeder Verwendung Einsatzwerkzeuge wie Schleifscheiben auf Absplitterungen und Risse, Schleifteller auf Risse, Verschleiß oder starke Abnutzung, Drahtbürsten auf lose oder gebrochene Drähte.** Wenn das Elektrowerkzeug oder das Einsatzwerkzeug herunterfällt, überprüfen Sie, ob es beschädigt ist, oder verwenden Sie ein unbeschädigtes Einsatzwerkzeug. Wenn Sie das Einsatzwerkzeug kontrolliert und eingesetzt haben, halten Sie und in der Nähe befindliche Personen sich außerhalb der Ebene des

rotierenden Einsatzwerkzeugs und lassen Sie das Gerät eine Minute lang mit Höchstzahl laufen. Beschädigte Einsatzwerkzeuge brechen meist in dieser Testzeit.

- h **Tragen Sie persönliche Schutzausrüstung. Verwenden Sie je nach Anwendung Vollgesichtsschutz, Augenschutz oder Schutzbrille. Soweit angemessen, tragen Sie Staubmaske, Gehörschutz, Schuhhandschuhe oder Spezialschürze, die kleine Schleif- und Materialpartikel von Ihnen fernhält.**

Die Augen sollen vor herumfliegenden Fremdkörpern geschützt werden, die bei verschiedenen Anwendungen entstehen. Staub- oder Atemschutzmaske müssen den bei der Anwendung entstehenden Staub filtern. Wenn Sie lange lautem Lärm ausgesetzt sind, können Sie einen Hörverlust erleiden.

- i. **Achten Sie bei anderen Personen auf sicheren Abstand zu Ihrem Arbeitsbereich. Jeder, der den Arbeitsbereich betritt, muss persönliche Schutzausrüstung tragen.** Bruchstücke des Werkstücks oder gebrochener Einsatzwerkzeuge können wegfiegen und Verletzungen auch außerhalb des direkten Arbeitsbereichs verursachen
- j. **Halten Sie das Gerät nur an den isolierten Griffflächen, wenn Sie Arbeiten ausführen, bei denen das Einsatzwerkzeug verborgene Stromleitungen oder das eigene Netzkabel treffen kann.** Der Kontakt des Schneidewerkzeugs mit einer „spannungsführenden“ Leitung kann auch metallene Geräteteile „unter Spannung“ setzen und zu einem elektrischen Schlag führen.
- k. **Halten Sie das Netzkabel von sich drehenden Einsatzwerkzeugen fern.** Wenn Sie die Kontrolle über das Gerät verlieren, kann das Netzkabel durchtrennt oder erfasst werden und Ihre Hand oder Ihr Arm in das sich drehende Einsatzwerkzeug geraten.
- l. **Legen Sie das Elektrowerkzeug niemals ab, bevor das Einsatzwerkzeug völlig zum Stillstandgekommen ist.** Das sich drehende Einsatzwerkzeug kann in Kontakt mit der Ablagefläche geraten, wodurch Sie die Kontrolle über das Elektrowerkzeug verlieren können.
- m. **Lassen Sie das Elektrowerkzeug nicht laufen, während Sie es tragen. Ihre Kleidung kann durch zufälligen Kontakt mit dem sich drehenden Einsatzwerkzeug erfasst werden, und das Einsatzwerkzeug sich in Ihren Körper bohren.**
- n. **Reinigen Sie regelmäßig die Lüftungsschlitze Ihres Elektrowerkzeugs.** Das Motorgebläse zieht Staub in das Gehäuse, und eine starke Ansammlung von Metallstaub kann elektrische Gefahren verursachen.
- o. **Verwenden Sie das Elektrowerkzeug nicht in der Nähe brennbarer Materialien.** Funken können diese Materialien entzünden.

- p. **Verwenden Sie keine Einsatzwerkzeuge, die flüssige Kühlmittel erfordern.** Die Verwendung von Wasser oder anderen flüssigen Kühlmitteln kann zu einem elektrischen Schlag führen.

7) WARNUNGEN VOR RÜCKSCHLAG UND DAMIT ZUSAMMENHÄNGENDEN GEFAHREN

Rückschlag ist die plötzliche Reaktion infolge eines hakenden oder blockierten drehenden Einsatzwerkzeugs, wie Schleifscheibe, Schleifteller, Drahtbürste usw. Verhaken oder Blockieren führt zu einem abrupten Stopp des rotierenden Einsatzwerkzeugs. Dadurch wird ein unkontrolliertes Elektrowerkzeug gegen die Drehrichtung des Einsatzwerkzeugs an der Blockierstelle beschleunigt. Wenn z. B. eine Schleifscheibe im Werkstück hakt oder blockiert, kann sich die Kante der Schleifscheibe, die in das Werkstück eintaucht, verfangen und dadurch die Schleifscheibe ausbrechen oder einen Rückschlag verursachen. Die Schleifscheibe bewegt sich dann auf die Bedienperson zu oder von ihr weg, je nach Drehrichtung der Scheibe an der Blockierstelle. Hierbei können Schleifscheiben auch brechen. Ein Rückschlag ist die Folge eines falschen oder fehlerhaften Gebrauchs des Elektrowerkzeugs. Er kann durch geeignete Vorsichtsmaßnahmen, wie nachfolgend beschrieben, verhindert werden.

- a. **Halten Sie das Elektrowerkzeug gut fest und bringen Sie Ihren Körper und Ihre Arme in eine Position, in der Sie die Rückschlagkräfte abfangen können.** Verwenden Sie immer den Zusatzgriff, falls vorhanden, um die größtmögliche Kontrolle über Rückschlagkräfte oder Reaktionsmomente beim Hochlauf zu haben. Die Bedienperson kann durch geeignete Vorsichtsmaßnahmen die Rückschlag- und Reaktionskräfte beherrschen.
- b. **Bringen Sie Ihre Hand nie in die Nähe sich drehender Einsatzwerkzeuge.** Das Einsatzwerkzeug kann sich beim Rückschlag über Ihre Hand bewegen.
- c. **Meiden Sie mit Ihrem Körper den Bereich, in den das Elektrowerkzeug bei einem Rückschlag bewegt wird.** Der Rückschlag treibt das Elektrowerkzeug in die Richtung entgegengesetzt zur Bewegung der Schleifscheibe an der Blockierstelle.
- d. **Arbeiten Sie besonders vorsichtig im Bereich von Ecken, scharfen Kanten usw. Verhindern Sie, dass Einsatzwerkzeuge vom Werkstück zurückprallen und verklemmen.** Das rotierende Einsatzwerkzeug neigt bei Ecken, scharfen Kanten oder wenn es abprallt, dazu, sich zu verklemmen. Dies verursacht einen Kontrollverlust oder Rückschlag.
- e. **Verwenden Sie kein Ketten- oder gezähntes Sägeblatt.** Solche Einsatzwerkzeuge verursachen häufig einen Rückschlag oder den Verlust der Kontrolle über das Elektrowerkzeug.

- f. **Verwenden Sie keine verstärkten Trennscheiben mit diesem Gerät.** Derartige Werkzeuge können abbrechen und Verletzungen verursachen.

8) BESONDERE SICHERHEITSHINWEISE ZUM SCHLEIFEN UND TRENNSCHLEIFEN

- a. **Verwenden Sie ausschließlich die für Ihr Elektrowerkzeug zugelassenen Schleifkörper und die für diese Schleifkörper vorgesehene Schutzhaube.** Schleifkörper, die nicht für das Elektrowerkzeug vorgesehen sind, können nicht ausreichend abgeschirmt werden und sind unsicher.
- b. **Bringen Sie Ihre Hand nie in die Nähe sich drehender Einsatzwerkzeuge.** Das Einsatzwerkzeug kann sich beim Rückschlag über Ihre Hand bewegen.
- c. **Meiden Sie mit Ihrem Körper den Bereich, in den das Elektrowerkzeug bei einem Rückschlag bewegt wird.** Der Rückschlag treibt das Elektrowerkzeug in die Richtung entgegengesetzt zur Bewegung der Schleifscheibe an der Blockierstelle.
- d. **Arbeiten Sie besonders vorsichtig im Bereich von Ecken, scharfen Kanten usw. Verhindern Sie, dass Einsatzwerkzeuge vom Werkstück zurückprallen und verklemmen.** Das rotierende Einsatzwerkzeug neigt bei Ecken, scharfen Kanten oder wenn es abbrillt, dazu, sich zu verklemmen. Dies verursacht einen Kontrollverlust oder Rückschlag.
- e. **Verwenden Sie kein Ketten- oder gezähntes Sägeblatt.** Solche Einsatzwerkzeuge verursachen häufig einen Rückschlag oder den Verlust der Kontrolle über das Elektrowerkzeug.
- f. **Verwenden Sie keine verstärkten Trennscheiben mit diesem Gerät.** Derartige Werkzeuge können abbrechen und Verletzungen verursachen.

9) SPEZIFISCHE SICHERHEITSWARNHINWEISE FÜR SANDPAPIERSCHLEIFEN

- a. **Benutzen Sie keine überdimensionierten Schleifblätter, sondern folgen Sie die Herstellerangaben zur Schleifblattgröße.** Schleifblätter, die über den Schleifteller hinausragen, können Verletzungen verursachen sowie zum Blockieren, Zerreißen der Schleifblätter oder zum Rückschlag führen.
- b. **Stellen Sie die Drehzahl des wie für Schleifanwendungen empfohlen ein.** Das Schleifen bei hoher Drehzahl kann Verletzungen und/oder Verbrennungen verursachen.

ZUSÄTZLICHE SICHERHEITSHINWEISE



Gehörschutz tragen; Augenschutz tragen; Staubmaske tragen; Schutzhandschuhe tragen.

- a. **Verwenden Sie geeignete Detektoren, um versteckte Leitungen im Arbeitsbereich zu orten oder wenden Sie sich diesbezüglich an ihre örtlichen Versorgungsunternehmen.** Der Kontakt mit Stromleitungen kann zu Bränden und Stromschlägen führen. Die Beschädigung von Gasleitungen kann zu Explosionen führen. Die Beschädigung von Wasserleitungen kann zu Gebäudeschäden oder Stromschlägen führen.
- b. **Lassen Sie den Ein- /Ausschalter los und stellen Sie diesen in Stellung AUS, wenn die Stromversorgung unterbrochen ist, z. B. bei Stromausfall oder bei gezeigtem Netzstecker.**
- c. **Berühren Sie die Schleif- und Trennscheiben nur im abgekühlten Zustand.** Die Scheiben können während des Betriebs sehr heiß werden.
- d. **Sorgen Sie für eine sichere Befestigung des Werkstücks.** Ein mittels Klemmvorrichtungen oder in einem Schraubstock eingespanntes Werkstück ist sicherer als ein von Hand gehaltenes.

PRODUKTBESCHREIBUNG UND SPEZIFIKATIONEN



Lesen Sie alle Sicherheitswarnungen und alle Anweisungen sorgfältig. Das Nichtbefolgen der Warnungen und Anweisungen kann zu Stromschlag, Feuer und/oder schweren Verletzungen führen.

BESTIMMUNGSGEMÄßE VERWENDUNG

Die Maschine ist zum Schleifen und Schmirgeln bestimmt. Die Maschine ist für die Verwendung mit vom Hersteller gelieferten Anbaugeräten ausgelegt und konstruiert. Die Maschine kann nur für trockene Anwendungen ohne Verwendung von Wasser verwendet werden.

10) CE - KONFORMITÄTSERKLÄRUNG:

Arbortech erklärt, dass das in dieser Anleitung unter „Technische Daten“ beschriebene Produkt PWC. FG.900.60 den standardisierten Dokumenten nach EN 60745 entspricht, EMV-Richtlinien 2014/30/EU und RoHS 2011/65/EU.

2006/42 / EG unter: Arbortech PTY LTD | 67
Technisches Datenblatt gemäß Maschinenrichtlinie
Westchester Road, Malaga, WA 6090

Sven Blicks

General Manager

Stromversorgung	230-240	V
Nennleistung	1000	W
Frequenz	50	Hz
Schutzart	II	II
Nenn Drehzahl	2 000 – 12 000	rpm
Werkzeughdurchmesser	115	mm
Größe Befestigungsbohrung	22.2	mm
Größe Befestigungsschraube	M14	-
Gewicht	2.35	kg
Vibrationsemission (k=1.5)	9.58	m/s ²
Schalldruckpegel:	$L_{pA} = 90$ $K_{pA} = 3$	dB(A)
Geräuschleistungspegel	$L_{WA} = 101$ $K_{WA} = 3$	dB(A)

⚠️ WARNUNG: Das angegebene Vibrationspegel bezieht sich auf Hauptanwendungen des Werkzeugs. Wenn das Werkzeug jedoch für abweichende Anwendungen, mit unterschiedlichem Zubehör oder Einsatzwerkzeugen verwendet oder schlecht gewartet wird, kann die Vibrationsemission unterschiedlich sein. Dies kann das Expositionsniveau während der gesamten Arbeitszeit beträchtlich erhöhen.

Eine Abschätzung der Vibrationsbelastung sollte auch die Zeiten berücksichtigen, in denen das Werkzeug ausgeschaltet ist oder läuft, aber nicht für seinen vorgesehenen Zweck verwendet wird. Dies kann das Expositionsniveau über die gesamte Arbeitszeit erheblich reduzieren. Verwenden Sie zusätzliche Sicherheitsmaßnahmen, um den Bediener vor den Auswirkungen von Vibrationen zu schützen.

MONTAGE

⚠️ WARNUNG: Um das Risiko schwerer Körperverletzungen zu verringern, schalten Sie das Werkzeug aus und trennen Sie es von der Stromquelle, bevor Sie Einstellungen vornehmen oder Werkzeuge oder Zubehör entfernen / installieren.

ZUSATZHANDGRIFF

Schrauben Sie den Griff (2) wie in gezeigt in eines der seitlichen Löcher am Kopf der Schleifmaschine Fig. A. Stellen Sie vor dem Gebrauch sicher, dass der Griff fest ist.

METALLSCHUTZ

Bringen Sie bei Verwendung einer Schleifscheibe zuerst die Metallschutzhaube (5) über der Manschette (10) an und drehen Sie die Schutzhaube am Werkzeug so, dass die geschlossene Seite der Schutzhaube immer zum Bediener zeigt, wie in Abb. C gezeigt. Ziehen Sie die Schraube fest (12) Die Schutzvorrichtung kann sich so nicht aus der Position bewegen..

FLANSCH UND RÄDER

Den Hinterlegeflansch (7) so auf die Spindel (9) montieren, dass der Schlitz in die Spindel eingreift. Setzen Sie die Scheibe richtig auf den Flansch und schrauben Sie die Kontermutter (8) auf. Drücken Sie auf die Spindelarreterung (6) und ziehen Sie die Kontermutter mit dem Stiftschlüssel (13) fest.

Informationen zur Installation und zum Betrieb von anderem Arbortech-Zubehör finden Sie in den entsprechenden Anweisungen.

SPÄNEFÄNGER UND SCHLEIFFPAD

Bei Verwendung eines Schleiftellers zuerst den Spänefänger (17) über dem Bund (13) montieren, dann den Zusatzhandgriff (2) und die seitliche Schraube (18) festziehen. Spannen Sie den Schleifschuh (16) über die Spindel ohne den Stützflansch.

BETRIEB

⚠️ WARNUNG: Lesen Sie immer die Sicherheitshinweise und die geltenden Vorschriften. Um das Verletzungsrisiko zu verringern, schalten Sie das Werkzeug aus und trennen Sie es von der Stromquelle, bevor Sie Einstellungen vornehmen oder Zubehör entfernen / installieren

- Der Elektromotor ist für die auf dem Etikett angegebene Spannung ausgelegt.** Überprüfen Sie immer, ob die Stromversorgung der am Motor angelegten Spannung entspricht.
- Tragen Sie immer die richtige Schutzkleidung, einschließlich Ohren-, Augen- und Lungenschutz.**
- Befolgen Sie die örtlichen Sicherheitsbestimmungen, wenn Sie an Materialien arbeiten, die mit giftigen Substanzen behandelt wurden oder diese enthalten.**
- Verwenden Sie dieses Werkzeug nicht in feuchten Umgebungen oder in der Nähe von brennbaren Flüssigkeiten und Gasen.**
- Überprüfen Sie das Werkzeug vor dem Gebrauch.** Die Schleifscheibe muss ordnungsgemäß montiert sein und sich frei bewegen können. Lassen Sie das Elektrowerkzeug vor dem Gebrauch ohne Last laufen. Verwenden Sie keine beschädigten, nicht mittigen oder vibrierenden Werkzeuge.

- f) **Üben Sie keinen Druck aus und belasten Sie die Maschine nicht so stark, dass sie zum Stillstand kommt.** Lassen Sie das Elektrowerkzeug nach einer starken Belastung eine Minute lang ohne Last weiterlaufen, um das Zubehör abzukühlen.
- g) **Berühren Sie die Schneidwerkzeuge nicht, bevor sie abgekühlt sind.** Die Scheiben können während der Arbeit sehr heiß werden.

! WARNUNG: Verwenden Sie zur Bedienung dieses Elektrowerkzeugs immer zwei Hände. Legen Sie die linke Hand auf den Zusatzhandgriff und die rechte auf den Werkzeugkörper, damit Sie den Motor jederzeit ein- und ausschalten können.

Verwenden Sie immer Schutzhandschuhe, wenn Sie dieses Werkzeug bedienen.

Stellen Sie sicher, dass eine geeignete Geschwindigkeitseinstellung für die Anwendung aus der folgenden Tabelle ausgewählt ist. Das Werkstück abstützen und sichern, um Bewegungen und Kontrollverlust zu vermeiden.

Stellen Sie sicher, dass die Maschine läuft, bevor Sie das Werkstück berühren. Nähern Sie sich vorsichtig dem Werkstück, um ein plötzliches Greifen zu vermeiden und drücken Sie vorsichtig dagegen. Halten Sie die Schleifmaschine zum Schmirgeln in einem Winkel von 15 ° -30 ° und zum Schleifen in einem Winkel von 5 ° -30 ° (siehe Abb. D). Bewegen Sie das Werkzeug in die gewünschte Richtung und halten Sie dabei den Kontakt zwischen Werkstück und Scheibe aufrecht.

Zubehör	Einstellung Geschwindigkeit	Anwendung
Schleifscheibe	5 – 6	Schleifen
Schleifkissen	1 - 3	Schleifen von Holz, Metall und anderen Materialien. Verwenden Sie bei Schleifpapier mit höherer Körnung eine niedrigere Geschwindigkeit

EIN-/AUSSCHALTEN

Zum Starten des Elektrowerkzeugs den Ein- / Ausschalter (3) nach vorne drücken. Um den Schalter zu verriegeln, drücken Sie ihn vorne nach unten bis er einrastet. Lassen Sie zum Ausschalten des Geräts den Ein- / Ausschalter los oder drücken Sie, falls er verriegelt ist, kurz auf die Rückseite des Schalters und lassen Sie ihn los.

! WARNUNG: Das Tool verfügt über eine Wiederanlaufsperrung, die einen unkontrollierten Wiederanlauf nach einer Unterbrechung der Stromversorgung verhindert. Um den Betrieb wieder aufzunehmen, schalten Sie das Werkzeug aus und starten Sie die Maschine erneut.

WARTUNG

! WARNUNG: Vor Einstellungs-, Reinigungs- oder Wartungsarbeiten an der Maschine den Netzstecker ziehen.

Überprüfen Sie das Zubehör auf Beschädigungen und warten Sie es gemäß den Angaben in der Bedienungsanleitung. Wenn die Schutzhaube

beschädigt ist oder Teile der Schutzhaube sich lösen und abgenommen werden können, ersetzen Sie beschädigte Teile. Verwenden Sie das Werkzeug nicht ohne die für die vorgesehene Anwendung vorgeschriebene Schutzvorrichtung.

Zu Ihrer Sicherheit und zur Gewährleistung der Zuverlässigkeit dieses Produkts sollten alle elektrischen Reparaturen und Wartungen der Innenteile mit Ausnahme der Wartung von Zubehör und Zusatzgeräten von autorisierten Arbortech-Kundendienstzentren durchgeführt werden.

LÜFTUNGSSCHLITZE UND SCHALTER REINIGEN

Überprüfen Sie regelmäßig, ob Staub oder Fremdkörper in die Lüftungsschlitze an der Vorder- und Rückseite des Motors (14 und 15) oder unter dem Ein- / Ausschalter gelangt sind. Wenn ja, entfernen Sie angesammelten Staub mit einer weichen Bürste, um die Lüftungsschlitze und den Schalter zu reinigen. Reinigen Sie das Zubehör von Staub, um Ablagerungen und falsche Montage, Einrichtung und Einstellungen zu vermeiden.

OPTIONALES ZUBEHÖR

Verwenden Sie nur von Arbortech empfohlenes Zubehör und Zubehör, um Verletzungen oder Schäden an Ihrem Werkzeug zu vermeiden. Informationen zur Verfügbarkeit von optionalem Zubehör erhalten Sie von Ihrem Händler.

Fig. B

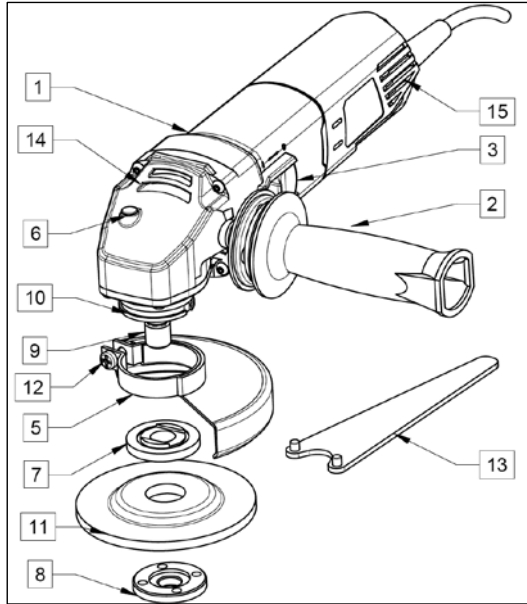


Fig. E

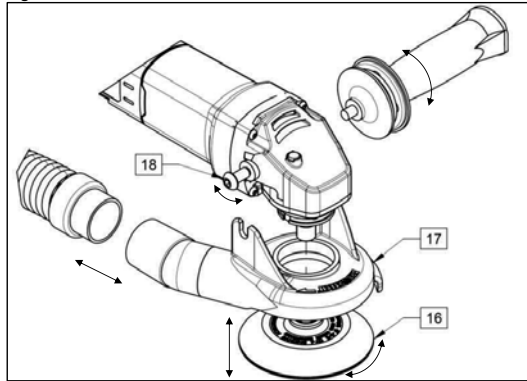


Fig. A

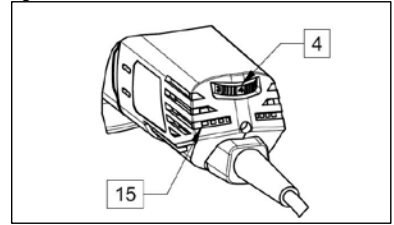


Fig. C

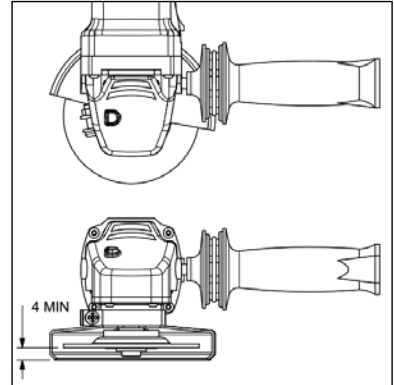
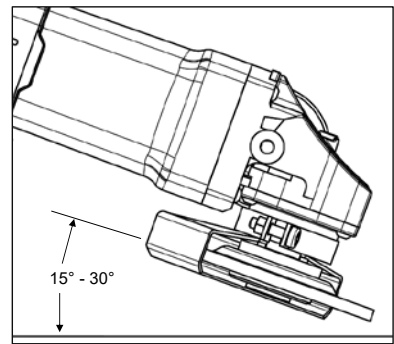


Fig. D



1	Corpo smerigliatrice angolare	7	Flangia di supporto	13	Chiave
2	Maniglia supplementare	8	Dado di bloccaggio	14	Prese d'aria anteriori
3	Interruttore ON/OFF	9	Alberino	15	Prese d'aria posteriori
4	Regolazione della velocità	10	Molatrice	16	Platello
5	Protezione in metallo	11	Disco abrasivo	17	Chip Catcher
6	Pulsante di blocco del mandrino	12	Vite di bloccaggio	18	Vite laterale



AVVERTENZE GENERALI DI SICUREZZA PER APPARATI ELETTRICI



**AVVERTENZA - LEGGERE
TUTTE LE AVVERTENZE DI
SICUREZZA, LE ISTRUZIONI,
LE ILLUSTRAZIONI E LE
SPECIFICHE FORNITE
CON QUESTO UTENSILE
ELETTRICO.**

La mancata osservanza delle istruzioni seguenti può causare scossa elettrica, incendio e/o gravi lesioni personali.

CONSERVARE LE AVVERTENZE E LE ISTRUZIONI PER RIFERIMENTI FUTURI

Il termine "apparato elettrico" utilizzato nelle avvertenze fa riferimento sia agli apparati alimentati a corrente (con cavo elettrico), sia a quelli a batteria (senza cavo).

1) SICUREZZA DELL'AREA DI LAVORO

- Mantenere l'area di lavoro pulita e ben illuminata.** Gli ambienti disordinati o scarsamente illuminati favoriscono gli incidenti.
- Non azionare gli apparati in ambienti con atmosfera esplosiva, come quelli in presenza di liquidi, gas o polveri infiammabili.** Gli apparati elettrici creano scintille che possono incendiare le polveri o i fumi.
- Durante l'uso di un apparato elettrico, tenere lontani i bambini e chiunque si trovi nelle vicinanze.** Le distrazioni possono provocare la perdita di controllo

2) SICUREZZA ELETTRICA

- Le spine dell'apparato elettrico devono essere adatte alla presa di alimentazione. Non modificare la spina in alcun modo.** Non collegare un adattatore alla spina di un apparato elettrico dotato di scarico a terra. Per ridurre il rischio di scossa elettrica evitare di modificare le spine e utilizzare sempre le prese appropriate.
- Evitare il contatto con superfici collegate con la terra, quali tubature, termosifoni, fornelli e frigoriferi.** Se il proprio corpo è collegato con la terra, il rischio di scossa elettrica aumenta.
- Non esporre gli apparati elettrici alla pioggia o all'umidità.** Se l'acqua entra nell'apparato elettrico aumenta il rischio di scossa elettrica.
- Non utilizzare il cavo elettrico in modo improprio.** Non utilizzare mai il cavo per spostare,

tirare o scollegare l'apparato elettrico. Tenere il cavo elettrico lontano da fonti di calore, olio, bordi taglienti o parti in movimento. Se il cavo è danneggiato o impigliato, il rischio di scossa elettrica aumenta

- Quando l'apparato elettrico viene impiegato all'aperto, utilizzare unicamente cavi di prolunga previsti per esterni.** L'uso di un cavo elettrico adatto ad ambienti esterni riduce il rischio di scossa elettrica.
- Se è non è possibile evitare l'uso di un apparato elettrico in ambienti umidi, usare una fonte di corrente protetta da un interruttore differenziale (salvavita).** L'uso di un interruttore differenziale riduce il rischio di scossa elettrica.

3) SICUREZZA PERSONALE

- Quando si utilizza un apparato elettrico evitare di distrarsi.** Prestare attenzione a quello che si sta facendo e utilizzare il buon senso. Non utilizzare l'apparato elettrico quando si è stanchi o sotto l'effetto di droghe, alcool o medicinali. Un solo attimo di distrazione durante l'uso di tali apparati potrebbe provocare gravi lesioni personali.
- Indossare abbigliamento di protezione adeguato.** Utilizzare sempre protezioni oculari. L'uso di abbigliamento di protezione quali mascherine antipolvere, scarpe antinfortunistiche antiscivolo, caschi di sicurezza o protezioni uditive, in condizioni opportune consente di ridurre le lesioni personali.
- Evitare avvii involontari. Assicurarsi che l'interruttore sia in posizione di spento prima inserire l'alimentazione elettrica e/o il blocco batteria e prima di afferrare o trasportare l'apparato.** Il trasporto di apparati elettrici tenendo il dito sull'interruttore o quando sono collegati alla rete elettrica con l'interruttore nella posizione di acceso provoca incidenti.
- Prima di accendere l'apparato elettrico, rimuovere eventuali chiavi o utensili di regolazione.** Un utensile di regolazione o una chiave fissati su una parte rotante dell'apparato elettrico possono provocare lesioni personali.
- Non sporgersi. Mantenere sempre una buona stabilità al suolo ed equilibrio.** Ciò consente un migliore controllo dell'apparato nelle situazioni impreviste.
- Indossare vestiario adeguato. Non indossare abiti lenti o gioielli.** Tenere capelli, vestiti e guanti lontano dalle parti in movimento. Abiti lenti, gioielli o capelli lunghi possono impigliarsi nelle parti in movimento.
- Se i dispositivi sono forniti di collegamento con l'attrezzatura di aspirazione e raccolta delle polveri, assicurarsi che siano collegati e utilizzati correttamente.** La raccolta delle polveri può ridurre i pericoli legati a queste ultime.

- h. **Non lasciate che la familiarità acquisita con l'uso frequente degli utensili vi permetta di diventare compiacenti e di ignorare la sicurezza degli utensili.** Un'azione negligente può causare gravi lesioni in una frazione di secondo.

4) USO E MANUTENZIONE DELL'APPARATO ELETTRICO

- a. **Non forzare l'apparato. Utilizzare un apparato adatto al lavoro da eseguire.** L'apparato lavora meglio e con maggior sicurezza se utilizzato secondo quanto è stato previsto.
- b. **Non utilizzare l'apparato se l'interruttore non permette l'accensione o lo spegnimento.** Qualsiasi apparato elettrico che non possa essere controllato tramite l'interruttore è pericoloso e deve essere riparato
- c. **Staccare la spina dall'alimentazione elettrica e/o il blocco batteria dell'apparato elettrico prima di effettuare qualsiasi tipo di regolazione, prima di cambiare gli accessori o di riporlo.** Queste misure di sicurezza preventive riducono il rischio di azionare l'apparato accidentalmente.
- d. **Riporre gli apparati non utilizzati fuori dalla portata dei bambini ed evitarne l'uso da parte di persone che hanno poca familiarità con l'apparato elettrico e con le presenti istruzioni.** Gli apparati elettrici sono pericolosi in mano a persone inesperte.
- e. **Eseguire una manutenzione adeguata degli apparati elettrici.** Verificare il cattivo allineamento e inceppamento di parti mobili, la rottura di componenti e ogni altra condizione che possa influire sul funzionamento degli apparati. Se danneggiato, far riparare l'apparato elettrico prima dell'uso. Molti incidenti sono provocati da apparati elettrici su cui non è stata effettuata la corretta manutenzione.
- f. **Tenere gli utensili da taglio affilati e puliti. La manutenzione corretta degli utensili da taglio con bordi affilati riduce le probabilità di inceppamento e ne facilita il controllo.**
- g. **Utilizzare l'apparato elettrico, gli accessori, le punte ecc., rispettando le presenti istruzioni e tenendo in considerazione le condizioni di funzionamento e il lavoro da eseguire.** L'utilizzo dell'apparato elettrico per impieghi diversi da quelli previsti può provocare situazioni di pericolo.
- h. **Mantenere le maniglie e le superfici di presa asciutte, pulite e prive di olio o grasso.** Se le maniglie e le superfici di presa sono scivolose, non consentono di manipolare e controllare in modo sicuro l'utensile in situazioni impreviste.

5) ASSISTENZA

- a. **L'apparato elettrico deve essere riparato da personale qualificato, che utilizzi ricambi originali identici alle parti da sostituire.** In questo modo viene garantita la sicurezza dell'apparato elettrico.



REGOLE DI SICUREZZA SPECIFICHE AGGIUNTIVE

6) AVVERTENZE DI SICUREZZA

COMUNI PER LA SMERIGLIATURA; LA CARTEGGIATURA O L'INTAGLIO DEL LEGNO

- a. **Questo utensile elettrico è destinato a funzionare come smerigliatrice, carteggiatrice o intagliatrice per legno.** Leggere tutte le avvertenze di sicurezza, le istruzioni, le illustrazioni e le specifiche fornite con questo utensile elettrico. La mancata osservanza delle istruzioni elencate di seguito può provocare scosse elettriche, incendi e/o lesioni gravi.
- b. **Con questo apparato non è consigliabile eseguire lavorazioni di lucidatura. L'esecuzione di lavorazioni per le quali l'apparato non è stato progettato comporta dei rischi e può causare lesioni personali.**
- c. **Non utilizzare accessori non progettati appositamente o non consigliati dal produttore per questo tipo di apparato.** Anche se un accessorio può essere collegato all'apparato, ciò non ne garantisce la sicurezza di utilizzo.
- d. **La velocità nominale dell'accessorio deve essere pari almeno a quella massima indicata sull'apparato.** Gli accessori fatti funzionare a una velocità superiore rispetto a quella nomi.
- e. **Il diametro esterno e lo spessore dell'accessorio devono rientrare nei limiti previsti per l'apparato.** Non è possibile proteggere o controllare adeguatamente gli accessori di dimensioni errate.
- f. **Il montaggio filettato degli accessori deve corrispondere alla filettatura del mandrino della smerigliatrice.** Per gli accessori montati tramite flange, il foro dell'albero dell'accessorio deve corrispondere al diametro di posizionamento della flangia. Gli accessori che non corrispondono alla struttura di montaggio dell'apparato non mantengono l'equilibrio, vibrano eccessivamente e possono causare la perdita di controllo.
- g. **Non utilizzare accessori danneggiati. Prima di ogni utilizzo controllare gli accessori affinché sui dischi abrasivi non vi siano scheggiature e lesioni, non siano presenti crepe o segni eccessivi di usura sul platello, che le spazzole metalliche non abbiano filamenti metallici staccati o spezzati.** Se l'apparato o l'accessorio

è caduto, verificare eventuali danni o installare un accessorio non danneggiato. Dopo aver ispezionato o installato un accessorio, verificare che l'operatore e le altre persone siano lontane dal piano dell'accessorio rotante e far girare l'apparato a vuoto alla massima velocità per un minuto. Gli accessori danneggiati normalmente si rompono durante questa fase di verifica.

- h. **Indossare abbigliamento di protezione adeguato. A seconda delle lavorazioni, utilizzare una maschera o occhiali di protezione.** Se opportuno, indossare una mascherina antipolvere, protezioni acustiche, guanti e un grembiule da lavoro in grado di arrestare frammenti abrasivi o di lavorazione di piccole dimensioni. La protezione oculare deve impedire a detriti volanti generati dalle varie lavorazioni di raggiungere gli occhi. La maschera antipolvere o il respiratore devono essere in grado di filtrare le particelle generate dalle lavorazioni. L'esposizione prolungata a rumori di alta intensità può causare la perdita dell'udito.
- i. **Tenere le altre persone a distanza di sicurezza dalla zona di lavoro. Chiunque acceda alla zona di lavoro deve indossare abbigliamento di protezione adeguato.** Frammenti del pezzo da lavorare o di un accessorio rotto possono volare via e causare lesioni al di là dell'immediata area di lavoro.
- j. **Sostenere l'apparato unicamente con supporti aventi superfici isolanti quando si eseguono lavorazioni in cui la parte tagliente potrebbe toccare cavi elettrici nascosti o il cavo di alimentazione dell'apparato stesso.** Gli accessori da taglio che vengono a contatto con un cavo sotto tensione trasmettono la corrente elettrica anche alle parti metalliche esposte dell'apparato e possono provocare la folgorazione dell'operatore.
- k. **Posizionare il cavo lontano dall'accessorio rotante. In caso di perdita di controllo, il cavo può essere tagliato o impigliato e potrebbe avere una forza tale da trascinare la mano o il braccio dell'operatore verso l'accessorio rotante.**
- l. **Non appoggiare mai l'apparato finché l'accessorio non si sia completamente arrestato.** L'accessorio rotante potrebbe fare presa sulla superficie e trascinare l'apparato facendone perdere il controllo.
- m. **Non azionare l'apparato mentre lo si trasporta a fianco.** Un contatto accidentale con l'accessorio rotante può farlo impigliare ai vestiti e trascinarlo verso il corpo dell'operatore.
- n. **Pulire regolarmente le prese d'aria dell'apparato. La ventola del motore può attirare la polvere all'interno dell'alloggiamento e l'accumulo eccessivo di metallo polverizzato può causare pericoli elettrici.**
- o. **Non utilizzare l'apparato vicino a materiali infiammabili.** Le scintille possono far prendere fuoco ai materiali.

- p. **Non utilizzare accessori che richiedono refrigeranti liquidi.** L'utilizzo di acqua o altri liquidi refrigeranti può provocare elettrocuzione o scosse elettriche.

7) CONTRACCOLPI E RELATIVI AVVERTIMENTIACK AND RELATED WARNINGS

Il rimbalzo è una reazione improvvisa provocata da mole, platorelli, spazzole o qualsiasi altro accessorio in rotazione che rimanga pinzato o impigliato. Ciò provoca un arresto immediato dell'accessorio rotante che a sua volta provoca la perdita di controllo dell'apparato, che viene spinto nella direzione opposta rispetto alla rotazione dell'accessorio nel punto in cui è stato trattenuto. Ad esempio, se un disco abrasivo è impigliato o pinzato dal pezzo da lavorare, il bordo della mola penetrato nel punto pinzato può scavare nel materiale e causare lo scavalamento o il rimbalzo della mola. la mola può saltare sia verso l'operatore che in direzione opposta a secondo della direzione del movimento della mola nel punto pinzato. In queste condizioni è possibile che i dischi abrasivi si spezzino. Il rimbalzo è il risultato di un uso sbagliato dell'apparato e/o di metodi o condizioni di lavoro scorretti e può essere evitato prendendo le appropriate precauzioni come descritto di seguito.

- a. **amantenerne una salda presa sull'apparato e scegliere una posizione per forze e braccia che sia in grado di resistere alle forze di rimbalzo.** Utilizzare sempre l'impugnatura ausiliaria, se presente, per offrire la massima resistenza al rimbalzo o alla reazione di coppia durante l'avviamento. L'operatore può frenare la reazione di coppia o la forza di rimbalzo se vengono prese le precauzioni adatte
- b. **non porre mai le mani vicino l'accessorio rotante.** L'accessorio può rimbalzare sulle mani dell'operatore.
- c. **l'operatore non deve posizionarsi nel punto in cui si potrebbe dirigere l'apparato in caso di rimbalzo.** Il rimbalzo spinge l'apparato nella direzione opposta al movimento del disco nel punto in cui si impiglia.
- d. **prestare particolare attenzione quando si lavorano angoli, estremità appuntite ecc.** Evitare di far rimbalzare o impigliare l'accessorio. Angoli, estremità appuntite o rimbalzi tendono a fare impigliare l'accessorio rotante e a causare la perdita di controllo o il rimbalzo dell'apparato.
- e. **non collegare una lama da motosega per legno o una lama da sega dentata.** Queste lame creano rimbalzi e perdita di controllo frequenti.
- f. **Non applicare dischi abrasivi rinforzati.** Questi utensili potrebbero rompersi e causare lesioni.

8) AVVERTENZE DI SICUREZZA SPECIFICHE PER LAVORAZIONI DI SMERIGLIATURA E TAGLIO ABRASIVO

- a. **Usare solo i tipi di mola raccomandati per il proprio apparato e le protezioni specifiche progettate per quella mola.** Le mole non omologate per quell'apparato non possono essere protette adeguatamente e non sono sicure.
- b. **La superficie di smerigliatura delle mole premute al centro deve essere montata al di sotto del piano della linguetta di protezione.** Non è possibile fornire una protezione adeguata a una mola non montata correttamente che sporge attraverso il piano della linguetta di protezione.
- c. **La protezione deve essere fissata saldamente all'apparato e posizionata per la massima sicurezza, in modo che la mola sporga il meno possibile verso l'operatore.** La protezione serve per proteggere l'operatore da frammenti di mole spezzate, da un contatto accidentale con la mola e dalle scintille che potrebbero incendiare gli indumenti.
- d. **Le mole vanno usate solo nelle lavorazioni per cui sono raccomandate. Per esempio: non molare con il fianco di una mola da taglio.** Le mole da taglio abrasivo sono progettate per la smerigliatura periferica. Forze laterali applicate a queste mole possono causarne la frantumazione.
- e. **Per le mole utilizzare sempre flange non danneggiate, della dimensione e forma corretta per quella mola.** Se le flange sono appropriate, supportano la mola e ne riducono la possibilità di rottura. Le flange per dischi da taglio possono differire dalle flange per dischi abrasivi.
- f. **Non utilizzare mole consumate dall'uso con apparati più potenti.** Le mole progettate per apparati più potenti non sono adatte alle maggiori velocità degli apparati più piccoli e si possono spaccare.

9) ADVERTENCIAS DE SEGURIDAD ESPECÍFICAS PARA OPERACIONES DE LIJADO

- a. **No utilice papel de disco de lijado de un tamaño excesivamente grande. Siga las recomendaciones del fabricante al seleccionar el papel de lijado.** El papel de lijado grande que sobresalga del disco de lijado presenta un riesgo de laceración y puede ocasionar el enganche o rotura del disco o un rebote.
- b. **Regolare la velocità del come consigliato per le applicazioni di smerigliatura.** La smerigliatura ad alta velocità presenta rischi di lacerazioni e scottature.

! AVVERTENZE DI SICUREZZA AGGIUNTIVEZIONAL



Indossare protezioni per l'udito; Indossare occhiali protettivi; Indossare una maschera antipolvere; Indossare guanti protettivi.

- a. **Utilizzare rilevatori adatti per determinare se le linee di alimentazione nell'area di lavoro sono nascoste o chiamare locale l'azienda di servizi per assistenza. Il contatto con le linee di alimentazione può provocare incendi e scosse elettriche.** Il danneggiamento di una tubazione del gas può provocare esplosioni. La fuoriuscita di acqua da un impianto idrico provoca danni materiali o scosse elettriche.
- b. **Sbloccare l'interruttore On/Off e portarlo in posizione Off quando l'alimentazione è interrotta, ad es. in caso di blackout o quando viene estratta la spina dalla presa di corrente.**
- c. **Non toccare i dischi di smerigliatura o taglio prima che si raffreddino.** I dischi si surriscaldano durante il lavoro.
- d. **Bloccare il pezzo da lavorare.** Un pezzo bloccato con dispositivi di serraggio o in una morsa è tenuto più fermamente che a mano

DESCRIZIONE DEL PRODOTTO E SPECIFICHE



Leggere tutte le avvertenze di sicurezza e tutte le istruzioni. La mancata osservanza delle avvertenze e delle istruzioni può provocare scosse elettriche, incendi e/o lesioni gravi.

DESTINAZIONE D'USO

La macchina è progettata per applicazioni di levigatura e molatura. La macchina è progettata e costruita per essere utilizzata con gli accessori forniti dal produttore. La macchina può essere utilizzata solo per applicazioni a secco senza l'utilizzo di acqua.

10) DICHIARAZIONE DI CONFORMITÀ CE

Arbortech dichiara che il prodotto PWC.FG.900.60 descritto in questo manuale in "Specifiche tecniche" è fabbricato in conformità con la norma EN 60745, Direttive EMC 2014/30/UE e RoHS 2011/65/UE.

Scheda tecnica conforme alla Direttiva sui macchinari 2006/42/CE in: Arbortech PTY LTD | 67 Westchester Road, Malaga, WA 6090



Sven Blicks

Direttore generale

Alimentazione	230-240	V
Potenza	1000	W
Frequenza	50	Hz
Classe di protezione	II	II
Velocità nominale	2 000 – 12 000	rpm
Diametro utensile	115	mm
Dimensioni foro di montaggio	22.2	mm
Dimensioni vite di montaggio	M14	-
Peso	2.35	kg
Emissione di vibrazioni (k = 1,5)	9.58	m/s ²
Livello di pressione acustica	$L_{pA} = 90$ $K_{pA} = 3$	dB(A)
Livello di potenza sonora	$L_{WA} = 101$ $K_{WA} = 3$	dB(A)

AVVERTENZA: Il livello di emissione vibrazioni indicato vale per le principali applicazioni dell'utensile. Tuttavia, se l'utensile viene utilizzato per applicazioni diverse, con diversi accessori o utensili di inserimento, o se non viene sottoposto a corretta manutenzione, l'emissione di vibrazioni potrebbe essere diversa. Ciò potrebbe aumentare sensibilmente il livello di esposizione nell'intero arco di lavoro.

La stima del livello di esposizione alla vibrazione dovrebbe anche tenere conto dei tempi in cui l'utensile è spento o è in funzione ma in effetti non viene impiegato per lavorare. Ciò potrebbe ridurre sensibilmente il livello di esposizione nell'intero arco di lavoro. Identificare ulteriori misure di sicurezza per proteggere l'operatore dagli effetti delle vibrazioni.

MONTAGGIO

AVVERTENZA: per ridurre il rischio di gravi lesioni personali, spegnere lo strumento e scollegarlo dalla fonte di alimentazione prima di eseguire qualsiasi regolazione o rimuovere/installare strumenti o accessori.

MANIGLIA SUPPLEMENTARE

Avvitare la maniglia (2) in uno dei fori laterali sulla testa della smerigliatrice come mostrato in Fig. A. Assicurarsi che la maniglia sia sicura prima dell'uso.

PROTEZIONE IN METALLO

Quando si utilizza una mola, installare prima la protezione in metallo (5) sul collare (10) e ruotare la protezione sull'attrezzo in modo che il lato chiuso della protezione punti sempre verso l'operatore come mostrato in Fig. C. Stringere la vite (12) in modo che la protezione non possa andare fuori posizione.

FLANGE E RUOTE

Montare la flangia di supporto (7) sul mandrino (9) con la fessura orientata in modo che si blocchi con il mandrino. Montare il disco, assicurandosi che si inserisca correttamente sulla flangia, quindi avvitare il controdado (8). Premere il blocco del mandrino (6) e serrare il controdado usando la chiave a perno (13).

Per l'installazione e il funzionamento di altri accessori Arbortech, fare riferimento alle relative istruzioni dedicate.

RACCOGLITRUCIOLI E TAMPONE DI LEVIGATURA


Quando si utilizza un platorello, installare prima il raccoglitore di trucioli (17) sul collare (10), quindi serrare l'impugnatura ausiliaria (2) e la vite laterale (18). Avvitare il platorello (16) sul mandrino senza la flangia di supporto.

FUNZIONAMENTO

AVVERTENZA: leggere sempre le istruzioni di sicurezza e le normative applicabili. Per ridurre il rischio di lesioni, spegnere lo strumento e scollegarlo dalla fonte di alimentazione prima di effettuare qualsiasi regolazione o rimuovere/installare gli accessori

- Il motore elettrico è stato progettato per la tensione indicata sull'etichetta.** Controllare sempre che l'alimentazione corrisponda alla tensione indicata sul motore.
- Indossare sempre indumenti di sicurezza corretti, compresi protezione per orecchio, occhi e vie aeree.**
- Seguire le normative di sicurezza locali quando si lavora su materiali trattati o contenenti sostanze tossiche.**

- d) **Non utilizzare questo strumento in condizioni di bagnato o in presenza di liquidi e gas infiammabili.**
- e) **Controllare lo strumento prima dell'uso. Il platorello deve essere montato correttamente e non avere impedimenti nei movimenti.** Testare l'accensione dello strumento a vuoto prima dell'utilizzo. Non utilizzare strumenti danneggiati, decentrati o vibranti.
- f) **Non esercitare alcuna pressione o sottoporre a sforzi eccessivi la macchina che in arresto.** Dopo aver sottoposto l'utensile a forte sforzo, continuare a farlo funzionare per un minuto senza carico per raffreddare l'accessorio.
- g) **Non toccare gli strumenti da taglio prima che si siano raffreddati.** I dischi possono diventare molto caldi durante il lavoro.

 **AVVERTENZA:** usare sempre entrambe le mani per azionare questo utensile elettrico, posizionando la mano sinistra sulla maniglia ausiliaria e quella destra sul corpo dell'utensile in modo da poter accendere e spegnere il motore in qualsiasi momento. Utilizzare sempre guanti protettivi mentre si utilizza questo strumento.


Assicurarsi che sia selezionata un'appropriata impostazione della velocità per l'applicazione dalla tabella seguente. Sostenere e fissare il pezzo per prevenire movimenti e perdita di controllo.

Assicurarsi che la macchina sia in funzione prima di contattare il pezzo da lavorare. Avvicinarsi al pezzo con cautela evitando prese brusche e avvicinarsi con cautela. Tenere la smerigliatrice con un angolo di 15° -30° per la molatura e di 5° -30° per la levigatura, come mostrato in Fig. D. Spostare l'utensile nella direzione desiderata, mantenendo il contatto tra il pezzo e il disco.


Accessorio	Impostazione della velocità	Applicazione
Disco abrasivo	5 - 6	Smerigliatura
Platorello	1 - 3	Levigatura di legno, metallo e altri materiali. Usare una velocità inferiore con carta abrasiva a grana più alta

ACCENSIONE E SPEGNIMENTO

Per avviare lo strumento, spingere in avanti l'interruttore di accensione/spegnimento (3). Per bloccare l'interruttore, premerlo verso il basso finché non si blocca. Per spegnere lo strumento, rilasciare l'interruttore On/Off o, se è bloccato, spingere brevemente verso il basso il retro dell'interruttore e rilasciare.

 **ATTENZIONE:** lo strumento include una funzione di prevenzione del riavvio, che impedisce il riavvio incontrollato dopo un'interruzione dell'alimentazione. Per riprendere il funzionamento, portare lo strumento in posizione off e riavviare la macchina.

MANUTENZIONE

 **AVVERTENZA:** prima di qualsiasi intervento di regolazione, pulizia o manutenzione sulla macchina stessa, scollegare l'alimentazione.

Ispezionare gli accessori per danni e mantenerli come specificato nel loro manuale utente. Se la protezione è rotta o parti della protezione si perdono e possono essere staccate, sostituire le parti danneggiate. Non utilizzare lo strumento senza la specifica protezione appropriata per l'applicazione prevista.

Per la vostra sicurezza e l'affidabilità di questo prodotto, tutte le riparazioni elettriche e la manutenzione delle parti interne, diverse dal mantenimento degli accessori e degli strumenti, devono essere eseguite dai centri di assistenza autorizzati Arbortech.

PULIZIA DELLE PRESE D'ARIA E INTERRUPTORE

Controllare regolarmente se polvere o corpi estranei sono entrati nelle prese d'aria, posizionate sulla parte anteriore e posteriore del motore (14 e 15) o sotto l'interruttore On/Off. In tal caso, utilizzare una spazzola morbida per rimuovere la polvere accumulata per pulire le prese d'aria e l'interruttore. Pulire gli accessori dalla polvere per evitare accumuli ed evitare montaggi, impostazioni e regolazioni errate.

ACCESSORI OPZIONALI

Per evitare il rischio di lesioni o di danneggiare il tuo utensile, utilizzare solo accessori e strumenti consigliati da Arbortech. Consultare il proprio rivenditore per la disponibilità di accessori opzionali.

Fig. B

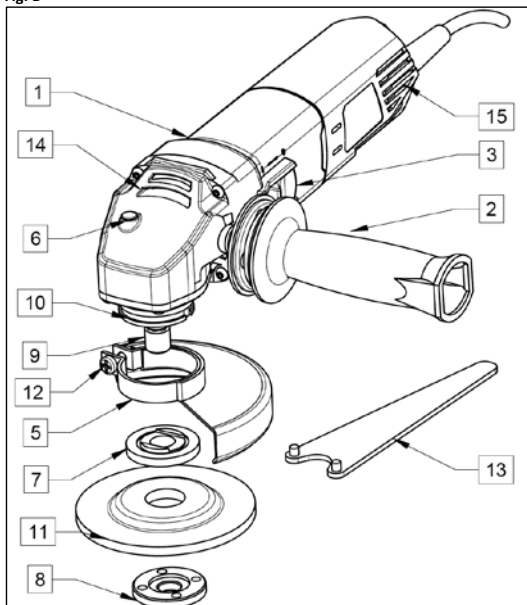


Fig. A

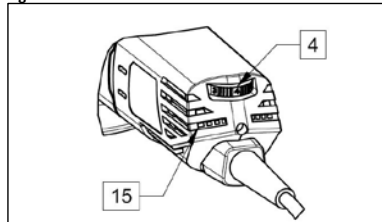


Fig. C

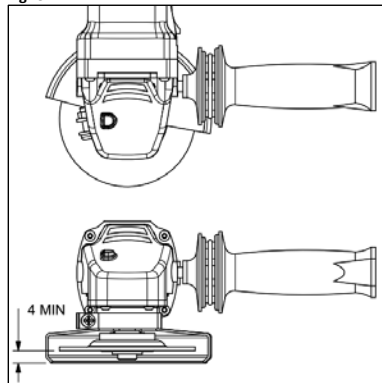


Fig. D

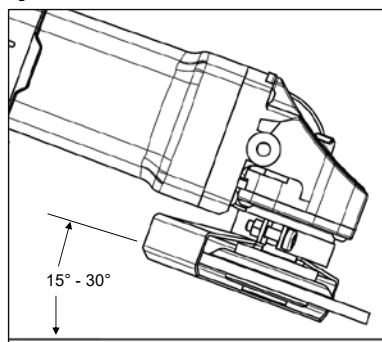
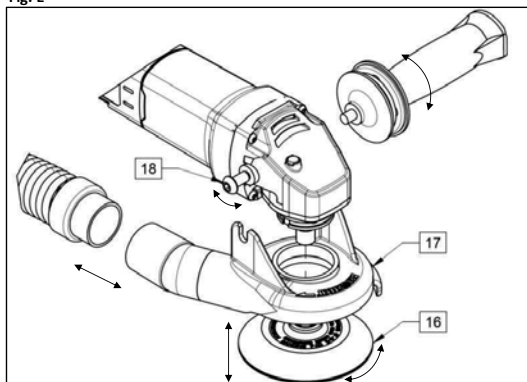


Fig. E



1	Szkielec szlifierki kątovej	7	Kołnier oporowy	13	Klucz nastawny
2	Uchwyt pomocniczy	8	Nakrętka zamykająca	14	Przednie otwory wentylacyjne
3	Przełącznik włącz/wyłącz	9	Wrzeciono	15	Tylne otwory wentylacyjne
4	Pokrętko ustawiania prędkości	10	Kołnier szlifierki	16	Poduszka piaskowa
5	Metalowa osłona	11	Płyta szlifująca	17	Chip Catcher
6	Przycisk blokady wrzeciona	12	Śruba zaciskowa osłony	18	Śruba boczna



PODSTAWOWE OSTRZEŻENIA DOTYCZĄCE PRACY Z ELEKTRONARZĘDZIAMI



**OSTRZEŻENIE -
PRZECZYTAĆ WSZYSTKIE
OSTRZEŻENIA DOTYCZĄCE
BEZPIECZEŃSTWA,
INSTRUKCJE, ILUSTRACJE
I DANE TECHNICZNE
DOSTARCZANE Z TYM
ELEKTRONARZĘDZIEM.**

Niezastosowanie się do wszystkich instrukcji wymienionych poniżej może spowodować porażenie prądem, pożar i/lub obrażenia ciała.

WSZYSTKIE OSTRZEŻENIA I INSTRUKCJE NALEŻY ZACHOWAĆ DO PRZYSZŁEGO WYKORZYSTANIA

Termin „elektronarzędzia” w ostrzeżeniach odnosi się do narzędzi zasilanych z sieci elektrycznej (z kablem zasilającym) lub zasilanych z akumulatorów (bezprowadowych).

1) BEZPIECZEŃSTWO MIEJSCA PRACY

- Miejsce pracy powinno być dobrze wentylowane, czyste i dobrze oświetlone.** Nieporządek i nieoświetlone miejsca sprzyjają wypadkom.
- Nie wolno obsługiwać elektronarzędzi w atmosferze wybuchowej, np.** w obecności cieczy palnych, gazów lub pyłów. Elektronarzędzia generują iskry, które mogą zapalić pył lub opary.
- Podczas pracy dzieci i osoby postronne nie mogą się znajdować w pobliżu elektronarzędzia.** Chwila nieuwagi może spowodować utratę kontroli nad narzędziem.

2) BEZPIECZEŃSTWO ELEKTRYCZNE

- Wtyczki elektronarzędzi muszą pasować do gniazd elektrycznych. W żaden sposób nie wolno modyfikować wtyczek.** Nie używać wtyczek adapterowych z elektronarzędziami ziemionymi. Niezmodyfikowane wtyczki i pasujące gniazda zmniejszają ryzyko porażenia prądem elektrycznym
- Unikać kontaktu ciała z ziemionymi powierzchniami, takimi jak rury, grzejniki, urządzenia kuchenne i chłodnie.** Ryzyko porażenia prądem elektrycznym zwiększa się, gdy ciało jest ziemione.

- Nie narażać elektronarzędzi na deszcz i wilgoć. Woda, która przedostanie się do elektronarzędzia, zwiększa ryzyko porażenia prądem.**
- Nie nadwyrażać przewodu. Nigdy nie przenosić ani nie ciągnąć elektronarzędzia za przewód ani nie wyciągać wtyczki, pociągając za przewód.** Przewód należy trzymać z dala od źródeł ciepła, oleju, ostrych krawędzi i ruchomych części. Uszkodzone lub splątane przewody zwiększają ryzyko porażenia prądem.
- Podczas korzystania z elektronarzędzi na zewnątrz należy korzystać z przedłużacza przeznaczanego do użytku zewnętrznego.** Stosowanie przewodu odpowiedniego do użytku zewnętrznego zmniejsza ryzyko porażenia prądem.
- Jeśli nieuniknione jest korzystanie z elektronarzędzi w miejscach wilgotnych, należy zastosować wyłącznik różnicowoprądowy (RCD) zabezpieczający zasilanie.** Zastosowanie RCD zmniejsza ryzyko porażenia prądem.

3) BEZPIECZEŃSTWO OSÓB

- Podczas obsługi elektronarzędzi należy zachować ostrożność, zwracać uwagę na wykonywane czynności i kierować się zdrowym rozsądkiem. Nie używać elektronarzędzi, gdy jest się zmęczonym lub pod wpływem narkotyków, alkoholu lub leków.** Chwila nieuwagi podczas obsługi elektronarzędzi może skutkować obrażeniami ciała.
- Używać odpowiedniego sprzętu ochrony osobistej.** Zawsze stosować ochronę wzroku. Sprzęt ochronny, taki jak maski przeciwpyłowe, antypoślizgowe obuwy ochronne, kask lub ochrona słuchu używane w wymagających tego warunkach zmniejszają ryzyko obrażeń.
- Zabezpieczyć przed przypadkowym uruchomieniem.** Przed podłączeniem do zasilania sieciowego lub akumulatora, podniesieniem lub przeniesieniem sprawdzić, czy wyłącznik znajduje się w pozycji WYŁ. Przeniesienie elektronarzędzi z palcem znajdującym się na wyłączniku lub podłączenie zasilania przy włączonym wyłączniku może być przyczyną wypadku.
- Przed włączeniem zasilania elektronarzędzia należy usunąć wszelkie klucze regulacyjne.** Klucz pozostawiony w obracającej się części elektronarzędzia może spowodować obrażenia ciała.
- Nie pochylać się zbyt blisko do prądu. Zawsze należy pamiętać o prawidłowym podparciu nóg i zachowaniu równowagi.** Ułatwia to kontrolowanie elektronarzędzia podczas niespodziewanych sytuacji.

- f. **Nosić odpowiedni ubiór. Nie zakładać luźnych ubrań ani biżuterii.** Trzymać włosy, ubranie i rękawice z dala od ruchomych części. Luźne ubrania, biżuteria lub długie włosy mogą zostać pochwycone przez ruchome części.
- g. **Jeśli urządzenia są dostosowane do połączenia z osprzętem do usuwania i zbierania pyłu, należy sprawdzić, czy są one podłączone i prawidłowo używane.** Zastosowanie systemu zbierania pyłu może zmniejszyć ilość niebezpiecznego pyłu.
- h. **Nie wolno dopuścić, aby rutyna wynikająca z częstego używania narzędzi była przyczyną ignorowania zasad bezpieczeństwa.** Niedbałe wykonywanie czynności może być przyczyną poważnych obrażeń ciała w ułamku sekundy.

4) OBSŁUGA I DBAŁOŚĆ O ELEKTRONARZĘDZIA

- a. **Nie przykładaj nadmiernej siły do elektronarzędzia.** Używać narzędzi właściwych dla zadania. Odpowiednie elektronarzędzie umożliwi dokładniejsze i bezpieczniejsze wykonanie zadania w przewidzianym tempie.
- b. **Nie używać narzędzia, jeśli wyłącznik nie działa poprawnie.** Elektronarzędzia, które nie mogą być sterowane wyłącznikiem, stanowią zagrożenie i muszą zostać naprawione.
- c. **Przed przystąpieniem do regulacji, wymiany akcesoriów lub magazynowania elektronarzędzia należy odłączyć wtyczkę od źródła zasilania lub akumulatora.** Takie prewencyjne środki bezpieczeństwa zmniejszają ryzyko przypadkowego uruchomienia narzędzia.
- d. **Nieużywane narzędzia należy przechowywać poza zasięgiem dzieci i nie należy dopuścić, aby osoby niezaznajomione z ich obsługą lub tymi instrukcjami używały elektronarzędzi.** Elektronarzędzia są niebezpieczne w rękach nieprzeszkolonych użytkowników.
- e. **Należy dbać o regularną konserwację narzędzi i akcesoriów. Sprawdzić pod kątem prawidłowego ustawienia i umocowania części ruchomych, pęknięć elementów oraz innych czynników, które mogą mieć wpływ na korzystanie z urządzenia.** W przypadku uszkodzeń należy przed użyciem naprawić elektronarzędzie. Wiele wypadków wynika z nieprawidłowej konserwacji elektronarzędzi.
- f. **Narzędzia tnące muszą być naostrzone i czyste. Prawidłowo konserwowane narzędzia tnące z ostrymi krawędziami mają mniejsze prawdopodobieństwo zakleszczenia się i ich kontrola jest łatwiejsza.**

- g. **Elektronarzędzi, akcesoriów, bitów itp. należy używać zgodnie z niniejszą instrukcją, mając na uwadze warunki pracy oraz wykonywane zadanie.** Używanie elektronarzędzi do innych prac niż te, do których zostały przewidziane, może doprowadzić do niebezpiecznych sytuacji.
- h. **Rękojeści i powierzchnie chwytne muszą być suche, czyste i wolne od olejów i smarów.** Śliskie rękojeści i powierzchnie chwytne utrudniają bezpieczną obsługę i kontrolę narzędzia w przypadku wystąpienia nieprzewidzianych sytuacji.

5) USŁUGA

- a. **Zlecić serwisowanie elektronarzędzia wykwalifikowanemu pracownikowi serwisu, używając tylko identycznych części zamiennych.** Zapewni to utrzymanie bezpieczeństwa narzędzia elektrycznego.



OSTRZEŻENIA DOTYCZĄCE BEZPIECZEŃSTWA PODCZAS PRACY Z SZLIFIERKĄ KĄTOWĄ

6) OSTRZEŻENIA DOTYCZĄCE BEZPIECZEŃSTWA WSPÓLNE DLA OPERACJI TAKICH JAK SZLIFOWANIE ŚCIERNICĄ, PAPIEREM ŚCIERNYM LUB RZEZBIENIE W DREWNI

- a. **Elektronarzędzie jest przeznaczone do użytku jako szlifierka lub narzędzie do rzeźbienia w drewnie.** Przeczytać wszystkie ostrzeżenia dotyczące bezpieczeństwa, instrukcje, ilustracje i specyfikacje dostarczane z tym elektronarzędziem. Niezastosowanie się do wszystkich instrukcji wymienionych poniżej może spowodować porażenie prądem, pożar i/lub poważne obrażenia ciała.
- b. **Nie zaleca się używania tego narzędzia do wykonywania takich prac, jak szlifowanie/ czyszczenie powierzchni lub odcinanie.** Prace, dla których elektronarzędzie nie zostało przewidziane, mogą stanowić zagrożenie i być przyczyną obrażeń ciała.
- c. **Nie używać akcesoriów, które nie są specjalnie przeznaczone i zalecane przez producenta.** To, że jakieś akcesoria mogą być podłączone do elektronarzędzia, nie gwarantuje bezpiecznej obsługi.
- d. **Prędkość znamionowa akcesoriów musi być co najmniej taka sama jak prędkość maksymalna zaznaczona na narzędziu.** Akcesoria pracujące szybciej niż ich prędkość znamionowa mogą się zламać i rozpaść.

- e. **Średnica zewnętrzna i grubość akcesoriów musi mieścić się w zakresie wydajności elektronarzędzia.** Nieprawidłowy rozmiar akcesoriów nie pozwala na ich właściwą osłonę kontrolę.
- f. **Obsada akcesoriów gwintowanych musi zgadzać się z gwintem wrzeczona szlifierki.** W przypadku akcesoriów montowanych przy użyciu kołnierzy otwór wewnętrzny akcesorium musi pasować do średnicy bazującej kołnierza. Akcesoria, które nie pasują do osprzętu montażowego elektronarzędzia, tracą wyważenie, nadmiernie drgają i mogą być przyczyną utraty kontroli.
- g. **Nie używać uszkodzonych akcesoriów.** Przed każdym użyciem należy sprawdzić akcesoria takie jak: tarcze ścierne pod kątem wyszczerbień i pęknięć, krawężki szlifierskie pod kątem pęknięć, rozdarć lub nadmiernego zużycia. Jeśli elektronarzędzie lub akcesorium zostanie upuszczone, należy sprawdzić je pod kątem uszkodzeń lub zamontować nieuszkodzone akcesorium. Po kontroli i montażu szczotki druczianej należy sprawdzić ją pod kątem poluzowanych lub pękniętych drutów. Jeśli elektronarzędzie lub akcesorium zostanie upuszczone, należy sprawdzić je pod kątem uszkodzeń lub zamontować nieuszkodzone akcesorium. Po sprawdzeniu i zamontowaniu akcesorium należy stanąć (oraz polecić to samo osobom w pobliżu) z dala od obracającego się akcesorium i włączyć elektronarzędzie na jedną minutę z maksymalną prędkością bez obciążenia. Podczas trwania tego testu uszkodzone akcesoria powinny się rozpaść.
- h. **Używać sprzętu ochrony osobistej.** W zależności od zastosowania należy używać osłon twarzy, okularów ochronnych lub gogli. Jeśli to konieczne, należy założyć maskę przeciwpyłową, osłonę uszu, rękawice i fartuch roboczy, który będzie chronił przed małymi drobinami materiału ściernego lub fragmentami obrabianego przedmiotu. Ochrona uszu musi mieć możliwość zatrzymywania znajdujących się w powietrzu odpadów generowanych podczas prac. Maskę przeciwpyłową lub aparat oddechowy musi mieć możliwość filtracji cząstek generowanych podczas prac. Długotrwałe narażenie na duży hałas może być przyczyną utraty słuchu.
- i. **Osoby postronne muszą znajdować się w bezpiecznej odległości od miejsca pracy.** Każdy, kto wchodzi do obszaru pracy, musi założyć sprzęt ochrony osobistej. Fragmenty obrabianego przedmiotu lub pękniętych akcesoriów mogą się znaleźć w powietrzu i być przyczyną obrażeń ciała osób znajdujących się poza bezpośrednim obszarem prac.
- j. **Podczas wykonywania prac, przy których narzędzie tnące mogłoby natrafić na ukryte przewody elektryczne lub własny przewód zasilający, należy je trzymać wyłącznie za izolowaną powierzchnię uchwytu.** Akcesoria tnące dotykające przewodu pod napięciem mogą spowodować przepływ napięcia przez metalowe części elektronarzędzia i porażenie operatora.
- k. **Przewód zasilający należy trzymać w bezpiecznej odległości od obracającego się akcesorium.** W przypadku utraty kontroli nad narzędziem przewód może zostać przecięty lub zahaczony, a ręka pociągnięta w stronę obracającego się akcesorium.
- l. **Nigdy nie odkładać elektronarzędzia, dopóki akcesorium zupełnie się nie zatrzyma.** Obracając się akcesorium może „pochwylić” powierzchnię, a w konsekwencji spowodować utratę kontroli nad narzędziem.
- m. **Nie uruchamiać elektronarzędzia, niosąc je przy sobie.** Przypadkowy kontakt z obracającym się akcesorium może być przyczyną zahaczenia o ubranie i przyciągnięcie narzędzia do ciała.
- n. **Należy regularnie czyścić otwory wentylacyjne narzędzia.** Wentylator silnika zaciąga pył do wnętrza obudowy, a nadmierna akumulacja sproszkowanego metalu może być przyczyną zagrożenia elektrycznego.
- o. **Nie używać elektronarzędzia w pobliżu materiałów łatwopalnych.** Iskry mogą spowodować zapalenie tych materiałów.
- p. **Nie używać akcesoriów wymagających chłodziw płynnych.** Woda lub inne chłodziwa płynne mogą być przyczyną porażenia prądem elektrycznym.

7) SZYBKIE RUCH POWROTNY (ODRZUT) I OSTRZEŻENIA Z NIM ZWIĄZANE

Szybki ruch powrotny (odrzut) to nagła reakcja na zablokowanie lub zahaczenie obracającej się tarczy, tarczy ścierniej, szczotki lub innych akcesoriów. Zablokowanie lub zahaczenie powoduje gwałtowne zatrzymanie obracającego się akcesorium, które pociąga w niekontrolowany sposób narzędzie w kierunku przeciwnym do obrotów akcesorium w momencie zacięcia. Na przykład, jeśli tarcza ścierna zostanie zahaczona lub zablokowana przez obrabiany przedmiot, krawędź tarczy, która znajduje się w punkcie zablokowania, może zagłębić się w powierzchnię materiału i spowodować podbicie lub odrzucenie. Tarcza może podskoczyć w stronę operatora lub od operatora, w zależności od kierunku ruchu tarczy w momencie zablokowania. W takiej sytuacji tarcze ścierne mogą również pęknąć. Odrzut jest wynikiem nieprawidłowego używania elektronarzędzia i/lub nieprawidłowej procedury pracy bądź niewłaściwych warunków i można go uniknąć, stosując się do poniższych środków ostrożności.

- a. **Elektronarzędzie należy trzymać pewnie, a ciała i ramiona muszą być ustawione tak, aby oprzeć się sile odrzutu.** Należy zawsze używać uchwytu pomocniczego (jeśli jest) w celu zmaksymalizowania kontroli nad szybkim ruchem powrotnym lub momentem obrotowym podczas uruchomienia. Operator może kontrolować reakcję

momentu obrotowego lub siłę szybkiego ruchu powrotnego, jeśli stosuje się do właściwych środków ostrożności.

- b. **Elektronarzędzie należy trzymać pewnie, a ciało i ramiona muszą być ustawione tak, aby oprzeć się sile odrzutu. Należy zawsze używać uchwytu pomocniczego (jeśli jest) w celu zmaksymalizowania kontroli nad szybkim ruchem powrotnym lub momentem obrotowym podczas uruchomienia.** Operator może kontrolować reakcje momentu obrotowego lub siłę szybkiego ruchu powrotnego, jeśli stosuje się do właściwych środków ostrożności.
- c. **Nie zbliżać części ciała do obszaru, w którym elektronarzędzie może wykonać ruch w przypadku szybkiego ruchu powrotnego.** Szybki ruch powrotny pociągnie narzędzie w kierunku przeciwnym do obrotów tarczy w momencie zahaczenia.
- d. **Należy szczególnie uważać przy obróbce narożników, ostrych krawędzi itp.** Unikać odbijania i zahaczenia akcesoriów. Narożniki, ostre krawędzie oraz odbicia mogą powodować zahaczenia obracających się akcesoriów i utratę kontroli lub szybkiego ruchu powrotnego.
- e. **Nie mocować ostrza piły łańcuchowej do wycinania w drewnie lub zębatego ostrza pły.** Tego typu ostrza mogą często powodować odrzut i utratę kontroli.

8) OSTRZEŻENIA DOTYCZĄCE BEZPIECZEŃSTWA PODCZAS SZLIFOWANIA:

- a. **Używać tylko takich typów tarcz, które są zalecane do określonego elektronarzędzia, oraz właściwych osłon przeznaczonych do tych tarcz.** Tarcze nieprzeznaczone do elektronarzędzia nie mogą być właściwie osłaniane i są niebezpieczne.
- b. **Powierzchnia szlifująca tarczy z obniżonym środkiem musi znajdować się poniżej płaszczyzny wargi osłony.** Nieprawidłowo zamontowana tarcza, które wystaje poza powierzchnię wargi osłony, nie będzie właściwie osłaniana.
- c. **Osłona musi być dobrze zamontowana do elektronarzędzia i ustawiona tak, aby zapewnić jak największe bezpieczeństwo – tak żeby jak najmniejsza część tarczy wystawała w kierunku operatora.** Osłona pomaga chronić operatora przed odłatkami tarczy, przypadkowym kontaktem z tarczą i iskrami, które mogą zapalić odzież.
- d. **Tarcze mogą być używane tylko do zalecanych zastosowań.** Na przykład: nie szlifować stroną ścierniczą do cięcia. Ściernice do cięcia są przeznaczone do ścierania obrzeżnego; siły boczne przyłożone do tych tarcz mogą spowodować ich zniszczenie.
- e. **Zawsze należy stosować nieuszkodzone**

kołnierze tarcz o odpowiednim rozmiarze i kształcie do wybranych tarcz. Właściwe kołnierze kół podpierają tarczę, redukując możliwość jej uszkodzenia. Kołnierze ściernic do cięcia mogą różnić się od kołnierzy tarcz ściernych.

- f. **Nie stosować zużytych tarcz z większych elektronarzędzi.** Tarcze przeznaczone do większych elektronarzędzi nie są odpowiednie do mniejszych narzędzi o wysokich prędkościach.

9) DODATKOWE OSTRZEŻENIA DOTYCZĄCE BEZPIECZEŃSTWA PODCZAS SZLIFOWANIA

- a. **Nie używać tarcz z papierem ściernym o zbyt dużych rozmiarach.** Podczas wyboru papieru ściernego postępować zgodnie z zaleceniami producenta. Papier ścierny o większych rozmiarach wystający poza koło szlifierskie może zostać poszarpany i spowodować zahaczenie, rozdarcie tarczy lub odrzut.
- b. **Dostosować prędkość urządzenia zgodnie z zaleceniami dotyczącymi szlifowania papierem ściernym.** Szlifowanie papierem ściernym z dużą prędkością stwarza niebezpieczeństwo urazów ciętych i oparzeń.

DODATKOWE OSTRZEŻENIA DOTYCZĄCE BEZPIECZEŃSTWA



Nosić ochronniki słuchu; nosić środki ochrony oczu; nosić maskę przeciwpyłową; nosić rękawice ochronne.

- a. **Użyć odpowiednich detektorów do określenia, czy w obszarze roboczym znajdują się ukryte instalacje, lub skontaktować się z lokalnym dostawcą mediów.** Kontakt z przewodami elektrycznymi może doprowadzić do pożaru i porażenia prądem elektrycznym. Uszkodzenie instalacji gazowej może doprowadzić do wybuchu. Naruszenie instalacji wodnej powoduje uszkodzenia mienia lub może spowodować porażenie prądem elektrycznym.
- b. **Gdy zasilanie elektryczne zostanie przerwane, np. w razie awarii zasilania lub wyciągnięcia wtyku, zwolnić wyłącznik i ustawić go w pozycji wyłączonej.**
- c. **Nie dotykać tarczy do szlifowania i cięcia, dopóki nie ostygną.** Tarcze mogą się bardzo nagrzewać podczas pracy.
- d. **Zamocować przedmiot obrabiany. Przedmiot obrabiany zamocowany za pomocą urządzenia zaciskowego lub w imadle jest utrzymywany bardziej bezpiecznie niż w ręce.**

OPIS NARZĘDZIA I DANE TECHNICZNE



Przeczytać wszystkie instrukcje i wszystkie ostrzeżenia dotyczące bezpieczeństwa. Niezastosowanie się do ostrzeżeń i instrukcji może spowodować porażenie prądem elektrycznym, pożar i/lub poważne obrażenia ciała

ZAMIERZONE ZASTOSOWANIE

Maszyna przeznaczona jest do prac związanych ze szlifowaniem oraz piaskowaniem. Maszyna została zaprojektowana i skonstruowana do użytku z osprzętem dostarczonym przez producenta. Maszyna może być używana tylko do suchych zastosowań bez użycia wody.

10) CEDEKLARACJA ZGODNOŚCI CE:

Arbortech oświadcza, że produkt PWC.FG.900.60 opisany w tym podręczniku w „Danych technicznych” jest wykonany zgodnie z normą EN 60745, Dyrektywy EMC 2014/30/UE i RoHS 2011/65/UE.

Dokumentacja techniczna jest zgodna z dyrektywą maszynową 2006/42/WE i dostępna pod adresem: Arbortech PTY LTD | 67 Westchester Road, Malaga, WA 6090

Sven Blicks
General Manager

Moc	230-240	V
Moc znamionowa	1000	W
Częstotliwość	50	Hz
Stopień ochrony	II	II
Prędkość znamionowa	2 000 – 12 000	rpm
Średnica narzędzia	115	mm
Rozmiar otworu mon-tażowego	22.2	mm
Rozmiar śruby montażowej	M14	-
Masa	2.35	kg
Emisja drgań (k=1,5)	9.58	m/s ²
Poziom ciśnienia dźwięku	$L_{pA} = 90$ $K_{pA} = 3$	dB(A)
Poziom mocy dźwięku	$L_{WA} = 101$ $K_{WA} = 3$	dB(A)

OSTRZEŻENIE: Deklarowany poziom emisji drgań odnosi się do głównych zastosowań narzędzia. Jeżeli narzędzie jest używane do innych zastosowań, z innymi akcesoriami lub narzędziami montażowymi bądź niedostatecznie konserwowane, poziom emisji drgań może się różnić. Może to znacznie zwiększyć poziom ekspozycji w całym okresie pracy.

Szacunkowa ocena poziomu narażenia na drgania powinna również uwzględniać sytuację, gdy narzędzie jest wyłączone lub gdy jest ono uruchomione, ale obróbka nie jest wykonywana. Może to znacznie zmniejszyć poziom ekspozycji w całym okresie pracy. Podając dodatkowe środki bezpieczeństwa służące do ochrony operatora przed skutkami drgań.

MONTAŻ



OSTRZEŻENIE: Aby zmniejszyć ryzyko poważnych obrażeń, wyłącz urządzenie i odłącz je od źródła zasilania, przed dokonaniem jakichkolwiek regulacji lub usunięciem / instalacją narzędzi lub akcesoriów.

UCHWYT POMOCNICZY

Wkręć uchwyt (2) w jeden z bocznych otworów na głowicy szlifierki, jak pokazano naFig. A. Upewnij się, że uchwyt jest zabezpieczony przed użyciem.

METALOWA OSŁONA

Podczas używania tarczy szlifierskiej, najpierw zamontuj metalową osłonę (5) nad kołnierzem (10) i obróć osłonę narzędzia, tak aby zamknięta strona osłony zawsze wskazywała na operatora, jak pokazano na Rys. C. Dokręć śrubę (12), po to, by osłona nie mogła wyjść z pozycji.

KOŁNIERZE I KOŁA

Zamontuj kołnierz oporowy (7) na wrzecionie (9) z otworem zorientowanym tak, aby zajął się z wrzecionem. Zamontuj płytę, upewniając się, że jest prawidłowo osadzona na kołnierzu, a następnie przykręć nakrętkę blokującą (8). Naciśnij blokadę wrzeciona (6) i dokręć nakrętkę blokującą za pomocą klucza trzpieniowego (13).

W celu instalacji i obsługi innych akcesoriów Arbortech, należy zapoznać się z ich dedykowanymi instrukcjami.

ŁAPACZ NA WIÓR I PODKŁADKA DO SZLIFOWANIA

Używając podkładki szlifierskiej, najpierw zainstaluj łapacz wiórów (17) na kołnierzu (10), a następnie dokręć uchwyt pomocniczy (2) i śrubę boczną (18). Dokręć podkładkę szlifierską (16) na wrzecionie bez kołnierza oporowego.

CZYNNOŚĆ



OSTRZEŻENIE: Zawsze czytaj instrukcje bezpieczeństwa i obowiązujące przepisy. Aby zmniejszyć ryzyko obrażeń, wyłącz urządzenie i odłącz je od źródła zasilania przed dokonaniem jakichkolwiek regulacji lub demontażem / instalacją akcesoriów.

- Silnik elektryczny został zaprojektowany dla napięcia podanego na etykiecie.** Zawsze sprawdzaj, czy zasilanie odpowiada napięciu oznaczonemu na silniku.
- Zawsze nos odpowiednią odzież ochronną, w tym ochronę uszu, oczu i płuc.**

- c) **Przestrzegaj lokalnych przepisów bezpieczeństwa podczas pracy z materiałami poddanymi działaniu substancji toksycznych lub zawierających je.**
- d) **Nie używaj tego narzędzia w mokrych warunkach lub w obecności łatwopalnych cieczy i gazów.**
- e) **Sprawdź narzędzie przed użyciem. Płyta szlifierska musi być prawidłowo zamontowana i móc swobodnie się poruszać.** Przed użyciem wykonaj próbne uruchomienie elektronarzędzia bez obciążenia. Nie używaj narzędzi uszkodzonych, wyśrodkowanych lub wibrujących.
- f) **Nie wywieraj nacisku ani nie przeciążaj maszyny tak mocno, aby się zatrzymała.** Po silnym obciążeniu elektronarzędzia kontynuuj pracę bez obciążenia przez minutę, aby schłodzić akcesoria.
- g) **Nie dotykaj narzędzi tnących przed ich ostygnięciem.** Płyty mogą się bardzo nagrzewać podczas pracy.

! **OSTRZEŻENIE:** Używaj zawsze dwóch rąk do obsługi tego narzędzia zasilającego, umieszczając lewą rękę na dodatkowym uchwycie, a prawą na korpusie narzędzia, aby można było włączać i wyłączać silnik w dowolnym momencie. Podczas obsługi tego narzędzia, zawsze używaj rękawic ochronnych.

Upewnij się, że wybrano z poniższej tabeli odpowiednie ustawienie prędkości dla aplikacji. Podtrzymuj i zabezpiecz obrabiany przedmiot, aby zapobiec przemieszczaniu się i utracie kontroli.

Upewnij się, że maszyna pracuje, zanim skontaktujesz się z obrabianym przedmiotem. Podchodź ostrożnie do obrabianego przedmiotu, aby uniknąć nagłego chwycenia i delikatnie popchnij go. Trzymaj młotek pod kątem 15 ° -30 ° dla szlifowania i 5 ° -30 ° dla piaskowania, jak pokazano na Rys. D. Przesuń narzędzie w żądanym kierunku, utrzymując kontakt między przedmiotem obrabianym a płytą.

Wyposażenie	Ustawienie prędkości	Zastosowanie
Płyta szlifu-jąca	5 - 6	Szlifowanie
Poduszka piaskowa	1-3.	Szlifowanie drewna, meta-lu i innych materiałów. Używaj mniejszej prędkości z papierem ściernym o wyższej ziarnistości

WŁĄCZANIE I WYŁĄCZANIE

Aby uruchomić elektronarzędzie, naciśnij przełącznik Wł. / Wyt. (3) do przodu. Aby zablokować przełącznik, naciśnij go z przodu, aż się zatrzaśnie. Aby wyłączyć narzędzie, zwolnij włącznik / wyłącznik lub, jeśli jest zablokowany, naciśnij na krótko przełącznik i go zwolnij.

! **WARNING:** Narzędzie zawiera funkcję zapobiegania ponownemu uruchomieniu, która zapobiega niekontrolowanemu ponownemu uruchomieniu po przerwie w zasilaniu. Aby wznowić pracę, przełącz narzędzie do pozycji wyłączonej i ponownie uruchom maszynę.

KONSERWACJA

! **OSTRZEŻENIE:** Przed jakąkolwiek regulacją, czyszczeniem lub konserwacją samej maszyny, odłącz jej zasilanie.

Sprawdź akcesoria pod kątem uszkodzeń i konserwuj je zgodnie z instrukcją obsługi. Jeśli osłona jest uszkodzona lub części osłony gubią się i mogą zostać odłączone, wymień uszkodzone części. Nie używaj narzędzia bez odpowiedniej osłony, określonej dla zamierzonego zastosowania.

Dla własnego bezpieczeństwa i niezawodności tego produktu wszelkie naprawy elektryczne i konserwacja części wewnętrznych, innych niż konserwacja akcesoriów i osprzętu, powinny być przeprowadzane przez autoryzowane centra serwisowe Arbortech.

CZYSZCZENIE OTWORÓW WENTYLACYJNYCH I PRZEŁĄCZNIKA

Regularnie sprawdzaj, czy kurz lub ciała obce nie dostały się do otworów wentylacyjnych, umieszczonych z przodu i z tyłu silnika (14 i 15) lub pod włącznikiem / wyłącznikiem. Jeśli tak, użyj miękkiej szczotki, aby usunąć nagromadzony kurz, by oczyścić otwory wentylacyjne i przełącznik. Wyczyść akcesoria przed kurzem, aby zapobiec gromadzeniu się osadów i unikaj nieprawidłowego montażu, konfiguracji i regulacji.

AKCESORIA DODATKOWE

Aby uniknąć ryzyka obrażeń lub uszkodzenia narzędzia, używaj wyłącznie zalecanych akcesoriów i dodatków Arbortech. Skonsultuj się ze sprzedawcą w sprawie dostępności akcesoriów opcjonalnych

Fig. B

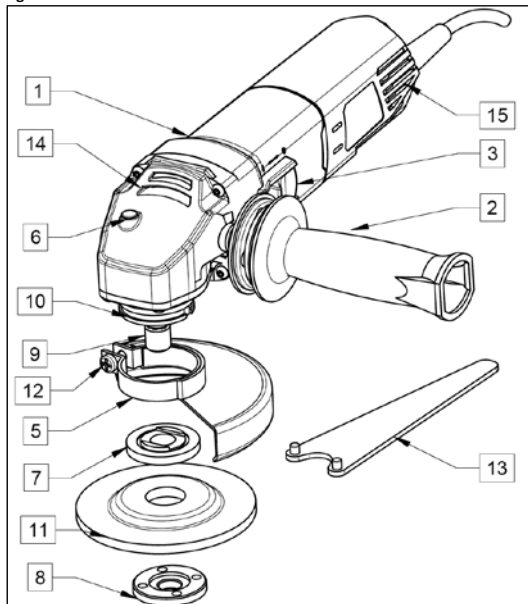


Fig. E

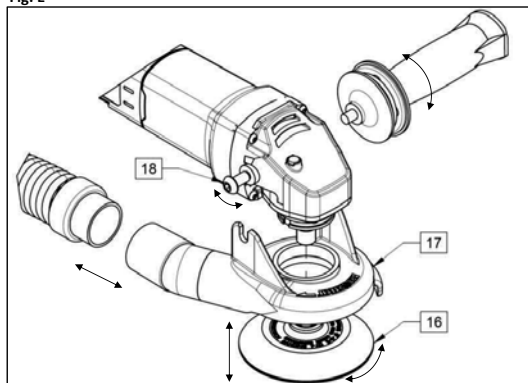


Fig. A

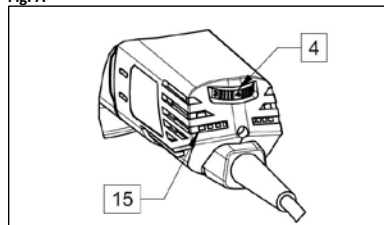


Fig. C

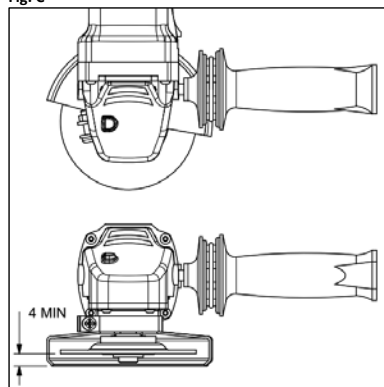
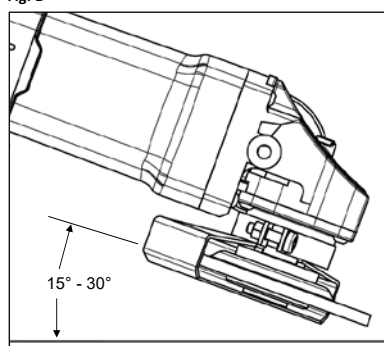


Fig. D



1	Telo kotnega brusilnika	7	Podporna prirobnica	13	Pin ključ
2	Pomožni ročaj	8	Zaporna matica	14	Sprednji ventili
3	Stikalo za vklop/izklop	9	Vreteno	15	Zadnja ventili
4	Nastavitev hitrosti	10	Orodje za mletje	16	Brusna plošča
5	Kovinska zaščita	11	Brusni disk	17	Chip Catcher
6	Gumb za zaklepanje vretena	12	Vijak za vpenjanje straže	18	Stranski vijak

SPLOŠNA VARNOSTNA OPOZORILA ZA ELEKTRIČNO ORODJE



**OPOZORILO – PREBERITE
VSA VARNOSTNA
OPOZORIILA, NAVODILA,
ILUSTRACIJE IN
SPECIFIKACIJE, KI SO
PRILOŽENE ELEKTRIČNEMU
ORODJU.**

Neupoštevanje vseh spodaj navedenih navodil lahko povzroči električni udar, požar in/ali telesne poškodbe.

VSA OPOZORIILA IN NAVODILA SHRANITE ZA NADALJNJO UPORABO

Izraz »električno orodje« v opozorilih se nanaša na vaše električno orodje (povezano z električnim kablom), ki je napajano iz električnega omrežja, ali na električno orodje z baterijo (brez kabla).

1) VARNOST V DELOVNEM PROSTORU

- Delovni prostor naj bo dobro prezračen, čist in dobro osvetljen.** Nepospravljani ali slabo osvetljeni delovni prostori povečujejo verjetnost nesreče.
- Električnih orodij ne uporabljajte v eksplozivnih atmosferah, npr. v prisotnosti vnetljivih teko in, plinov ali prahu.** Električna orodja lahko povzročijo iskre, zaradi katerih se lahko vnamejo prah ali hlapi.
- Med uporabo električne naprave naj se otroci in druge osebe ne približujejo.** Zaradi motenj ob delu lahko izgubite nadzor nad orodjem.

2) ELEKTRIČNA VARNOST

- Vtiči električnega orodja morajo ustrezati vtičnici. Vtiča nikoli na noben na in ne spreminjajte.** Vtičev prilagojevalnika ne uporabljajte z ozemljenimi električnimi orodji. Nespremenjeni vtiči in ustrezne vtičnice zmanjšajo nevarnost električnega udara.
- Izogibajte se stiku z ozemljenimi površinami kot so cevi, grelniki, štedilniki in hladilniki.** Obstaja povečano tveganje električnega udara, če je vaše telo ozemljeno.
- Orodja ne izpostavljajte dežju in vlažnim pogojem. Vdor vode v električno orodje bo povečal tveganje električnega udara.**

- Kabla ne zlorablajte.** Kabla nikoli ne uporabljajte za prenašanje ali vlečenje oz. za izklop električnega orodja. Kabla ne izpostavljajte vročini, olju, ostrim robovom ali prepletenim se delom. Poškodovani ali prepleteni kabli povečajo možnost električnega udara.
- Ko upravljate z električnim orodjem na prostem, uporabite podaljševalni kabel, ki je primeren za uporabo na prostem.** Uporaba kabla, primerne za uporabo na prostem, zmanjšuje možnost električnega udara.
- Če se ne morete izogniti uporabi orodja v vlažnih prostorih, uporabljajte zaščitno napravo na diferenčni tok (RCD). Uporaba RCD-ja**

3) OSEBNA VARNOST

- Med uporabo električnega orodja bodite pazljivi, pozorni in delajte z glavo.** Električnega orodja ne uporabljajte, če ste utrujeni ali ste pod vplivom drog, alkohola ali zdravil. Trenutek nepozornosti med uporabo električnega orodja lahko povzroči hude telesne poškodbe.
- Uporabljajte osebno zaščitno opremo. Vedno nosite zaščitna očala.** Zaščitna oprema, kot so zaščitna maska za prah, zaščitni čevlji z nedrsečim podplatom, zaščitna čelada ali zaščitna sluha, ki jo uporabljate skladno z razmerami, zmanjša tveganje telesnih poškodb.
- Izogibajte se nenamernemu vklopu orodja. Prepričajte se, da je stikalo izklopljeno, preden orodje priključite na električni vir in/ali baterijo, jo poberete ali prestavite.** Do nesreče lahko pride, če imate med prenašanjem orodja prste na stikalu ali če priključite napajanje orodij z vključenim stikalom.
- Pred vklopom električnega orodja odstranite vse nastavitvene gumbce ali izvija.** Izvijač ali klujuč, ki ga pustite pritrjenega na vrtljiv del električnega orodja, lahko povzroči telesne poškodbe.
- Ne precenjujte se. Vedno skrbite, da stojite stabilno in imate dobro ravnotežje.** To omogoča boljši nadzor električnega orodja v nepričakovanih situacijah.
- Bodite primerno oblečeni. Široka oblačila in nakit niso primerni.** Las, obleke in rokavic ne približujete gibljivim delom. Široka oblačila, nakit ali dolgi lasje se lahko ujamejo v gibljive dele.
- Če lahko namestite sesalnike in zbiralnike za prah, se prepričajte, da so ti priključeni in pravilno uporabljeni.** Uporaba zbiralnikov za prah lahko zmanjša tveganja zaradi kopičenja prahu.
- Ne dovolite, da bi seznanjenost zaradi pogoste uporabe povzročila, da postanete samozadovoljni in prezrete varnostna načela orodja.** Nепrevidno dejanje lahko povzroči hude telesne poškodbe v delčku sekunde.

4) UPORABA IN RAVNANJE Z ELEKTRIČNIM ORODJEM

- a. **Ne preobremenjujte električnega orodja. Uporabljajte orodje, ki je primerno za vaše delo.** Z ustreznim električnim orodjem boste delo opravili bolje in varneje na način, za katerega je bilo ustvarjeno.
- b. **Če s stikalom ne morete vklopiti in izklopiti orodja, ga ne uporabljajte.** Katero koli električno orodje, ki se ga ne da nadzorovati s stikalom, je nevarno in se mora popraviti.
- c. **Izvlечite vtič iz vtičnice in/ali komplet baterij iz električnega orodja preden karkoli prilagodite, zamenjate pripomočke ali električno orodje shranite.** S tovrstnimi varnostnimi ukrepi boste zmanjšali tveganje zaradi nenamernega vklopa električnega orodja.
- d. **Električno orodje, ki ga ne uporabljate, hranite izven dosega otrok in ne dovolite, da bi orodje uporabljale osebe, ki električnega orodja ne poznajo ali ki niso prebrale teh navodil.** Električna orodja so nevarna v rokah neusposobljenih uporabnikov.
- e. **Vzdrževanje električnega orodja in pribora. Preverite, ali so premikajoči deli neravni ali povezani, ali so deli zlomljeni in vse drugo, kar bi lahko vplivalo na delovanje električnih orodij.** Če je električno orodje poškodovano, ga pred uporabo obvezno popravite. Veliko nesreč nastane zaradi slabo vzdrževanega električnega orodja.
- f. **Rezalna orodja naj bodo ostra in čista.** Pravilno vzdrževana rezalna orodja z ostrimi rezili se manjkrat ukleščijo in jih je lažje upravljati.
- g. **Električno orodje, dodatno opremo, nastavke itd. uporabljajte skladno s temi navodili, pri tem pa upoštevajte delovne pogoje in delo, ki ga morate opraviti.** Uporaba električnega orodja v namene, drugačne od tistih, za katere je orodje predvideno, lahko povzroči nevarne situacije.
- h. **Ročaje in prijemne površine vzdržujte suhe, čiste in razmaščene.** Spolzki ročaji in prijemne površine ne omogočajo varnega ravnanja in nadzora orodja v nepričakovanih situacijah.

5) SERVISIRANJE

- a. **Vaše električno orodje naj servisira kvalificiran serviser in pri tem uporablja samo enake originalne nadomestne dele.** Tako bo vaše električno orodje ostalo varno za uporabo.



SPLOŠNA VARNOSTNA OPOZORILA ZA KOTNI BRUSILNIK

6) VARNOSTNA OPOZORILA, SKUPNA ZA BRUŠENJE, PESKANJE ALI REZANJE LESA

- a. **To električno orodje naj bi delovalo kot orodje za brušenje, peskanje in rezanje lesa. Preberite vsa varnostna opozorila, navodila, ilustracije in specifikacije, ki so priložene električnemu orodju.** Neupoštevanje vseh spodaj navedenih navodil lahko povzroči električni udar, požar in/ali hude telesne poškodbe.
- b. **tem električnim orodjem ne priporočamo izvajanje postopkov kot so brušenje s polirno ščetko ali rezanje.** Postopki, za katere električno orodje ni bilo zasnovano, lahko povzročijo nevarnost in telesne poškodbe.
- c. **Nikoli ne uporabljajte pripomočke, ki jih proizvajalec ni posebno razvil in priporočil.** Ker je nastavek možno pritrčiti na vaše električno orodje, še ne zagotavlja varnega delovanja.
- d. **Nazivna hitrost dodatka mora biti najmanj enaka najvišji hitrosti, označeni na električnem orodju.** Dodatna oprema, ki se uporablja pri hitrosti, ki je višja od nazivne hitrosti, se lahko zlomi in razleti.
- e. **Zunanji premer in debelina vaše dodatne opreme morata biti skladna z zmogljivostjo vašega električnega orodja.** Dodatna oprema nepravilne velikosti ni ustrezno zavarovana ali nadzirana.
- f. **Navojni nosilec dodatkov mora biti v skladu z navojem vretena brusilnika.** Za dodatno opremo nameščeno s prirobnicami, se mora sidrna odprtina ujemati s premerom namestitve prirobnice. Dodatna oprema, ki se ne ujema z montažno strojno opremo električnega orodja, ne bo uravnotežena, pojavili se bodo prekomerni tresljaji in pride lahko do izgube nadzora.
- g. **Ne uporabljajte poškodovane opreme. Pred vsako uporabo preverite dodatno opremo, kot so brusni koluti za odkruške in razpoke, podlogo za razpoke, raztrganost ali prekomerno obrabo, žične ščetke za ohlapne ali razpokane žice. V primeru padca električnega orodja ali dodatne opreme, ga pregledajte za poškodbe ali namestite nepoškodovano dodatno opremo. Po pregledu in namestitvi žične krtače za ohlapne ali razpokane žice. V primeru padca električnega orodja ali dodatne opreme, ga pregledajte za poškodbe ali namestite nepoškodovano dodatno opremo. Po pregledu in namestitvi dodatne opreme se vi in druge osebe postavite izven ravnine vrtljive dodatne opreme ter zaženite električno orodje pri največji hitrosti brez obremenitve za eno minuto.** Poškodovana dodatna oprema se med tem preskusnim časom običajno razpade.
- h. **Nosite osebno zaščitno opremo. Glede na uporabo uporabite ščit za obraz ali zaščitna**

očala. Po potrebi nosite masko za zaščito pred prahom, zaščito sluha, zaščitne rokavice in predpasnik za delavnice, ki lahko ustavi majhne abrazivne delce ali delce obdelovanca. Zaščita oči mora biti zasnovana tako, da zaustavi leteče delce, ki nastanejo pri različnih postopkih. Masko za zaščito pred prahom ali respirator mora biti zmožen filtrirati delce, ki nastanejo pri delu. Dolgotrajna izpostavljenost hrupu z visoko intenzivnostjo lahko povzroči izgubo sluha.

- i. **Druge osebe morajo biti varno oddaljene od delovnega območja. Vsakdo, ki vstopa v delovno področje, mora nositi osebno zaščitno opremo.** Delci obdelovanca ali zlomljena dodatna oprema lahko odleti in povzročijo poškodbo izven neposrednega območja uporabe.
- j. **Držite električno orodje samo za izolirane prijemne površine pri izvajanju postopkov, pri katerih lahko pripomoček za rezanje pride v stik s skrito napeljavo ali lastnim kablom.** Dodatna oprema za rezanje, ki se dotakne žice »pod napetostjo«, lahko povzroči, da so izpostavljeni kovinski deli »pod napetostjo« in lahko povzročijo električni udar.
- k. **Napeljite kabel izven dosega vrtljive dodatne opreme.** Če izgubite nadzor, se lahko kabel prereže ali zaskoči in dlani ali roko vam lahko potegne v vrtljivo dodatno opremo.
- l. **Električnega orodja nikoli ne odložite, dokler se dodatna oprema popolnoma ne ustavi.** Vrtljiva dodatna oprema lahko zagrabijo površino in izvleče električno orodje iz vašega nadzora.
- m. **Ne uporabljajte električnega orodja, medtem ko ga nosite na strani.** Nenamerno stik z vrtljivo dodatno opremo bi lahko zagrabil oblačila in potegnil dodatno opremo proti vašemu telesu.
- n. **Redno očistite prežračevalne odprtine električnega orodja.** Ventilator motorja bo vlekel prah v ohišje in čezmerno kopičenje kovin v prahu lahko povzroči električno nevarnost.
- o. **Ne uporabljajte električnega orodja v bližini vnetljivih snovi.** Iskre lahko povzročijo vžig teh materialov.
- p. **Ne uporabljajte dodatkov, ki zahtevajo tekoče hladilne tekočine.** Uporaba vode ali drugih tekočih hladilnih sredstev lahko povzroči električni udar ali šok.

7) POVRATNI UDAREC IN POVEZANE OPOZORILA

Povratni udarec je nenadna reakcija na stisnjen ali zaskočen vrtljiv kolut, podlogo, krtačo ali katero koli drugo dodatno opremo. Stiskanje ali zataknitev povzroči hitro zaustavitev vrtljive dodatne opreme, kar posledično povzroči, da se električno orodje nenadzorovano začne vrteti v nasprotno smer vrtenja dodatne opreme na točki spoja. Na primer, če se

brusilni kolut zatakne ali zablokira v obdelovancu, se lahko rob koluta, ki zarezuje v točko priščipnjenja zakoplje v površino materiala, kar povzroči, da se kolut izmakne ali pride do povratnega udarca. Kolut lahko odbije proti ali vstran od upravljavca, odvisno od smeri gibanja koluta v trenutku zataknitve. Brusilna kolesa se lahko pod temi pogoji tudi zlomijo. Povratni udarec je posledica napačne uporabe električnega orodja in/ali nepravilnih delovnih postopkov ali pogojev, in se jim je mogoče izogniti z ustreznimi previdnostnimi ukrepi, kot so navedeni spodaj.

- a. **Ohranite trden prijem na električnem orodju in postavite telo in roke tako, da se boste lahko uprli sili povratnega udarca.** Pri zagonu vedno uporabite pomožni ročaj, če je nameščen, za največji nadzor nad povratnimi udarci ali navorom med zagonom. Upravljavec lahko nadzoruje reakcije zaradi navora ali sile povratnega udarca, če izvede ustrezne previdnostne ukrepe.
- b. **Nikoli ne postavljajte rok blizu vrtljive dodatne opreme.** Pride lahko do povratnega udarca preko vaše roke.
- c. **Ne postavljajte telesa v območje, kamor bi se električno orodje premaknilo med povratnim udarcem.** Povratni udarec bo orodje usmeril v smeri nasproti gibanju koluta na mestu zataknitve.
- d. **Bodite posebej previdni, ko delate na vogalih, ostrih robovih ipd. Izogibajte se odbijanju in pregibanju dodatne opreme.** Na vogalih, ostrih robovih ali pri odbijanju se pogosto pojavi zataknitev v vrtljive dodatne opreme, kar povzroči izgubo nadzora ali povratni udarec.
- e. **Ne pritrdite veržnega rezila za rezkanje ali ozobljenega žaginiga lista.** Takšna rezila pogosto povzročijo povratni udarec in izgubo nadzora.
- f. **Ne pritrdite amirane abrazivne rezalne plošče.** Takšna orodja se lahko odlojijo in povzročijo poškodbe.

8) VARNOSTNA OPOZORILA, SPECIFIČNA ZA BRUŠENJE

- a. **Uporabljajte le tipe kolutov, ki so priporočljivi za vaše električno orodje in posebno varovalo, namenjeno za izbran kolut.** Kolutov, za katera električno orodje ni bilo načrtovano, ni mogoče ustrezno zaščititi in niso varni.
- b. **Brusna površina kolutov, ki so nameščeni na sredini, morajo biti nameščena pod ploskvijo zaščitne ustnice.** Neustrezno nameščene koluta, ki moli skozi ravnino zaščitne ustnice, ni mogoče ustrezno zavarovati.
- c. **Varovalo mora biti varno pritrjeno na električno orodje in nameščeno za največjo varnost, tako da je najmanjši del koluta izpostavljen proti upravljavcu.** Varovalo pomaga zaščititi upravljavca pred zlomljenimi deli kolutov, naključnim stikom s kolutom in iskrami, ki lahko vžgejo oblačila.

- d. **Kolute lahko uporabljate samo za priporočene uporabe.** Na primer: ne brusite s stranjo rezalnega koluta. Abrazivni rezalni koluti so namenjeni za periferno brušenje, stranske sile, ki delujejo na te kolute, lahko povzročijo zdrobljenje.
- e. **Vedno uporabljajte nepoškodovane prirobnice kolutov, ki so pravilne velikosti in oblike za izbran kolut.** Pravilne prirobnice kolutov podpirajo kolut, kar zmanjšuje možnost njegovega zloma. Prirobnice za rezalne kolute se lahko razlikujejo od prirobnic brusnih kolutov.
- f. **Ne uporabljajte obrabljenih kolutov za večja električna orodja.** Koluti za večje električno orodje ni primerno za večjo hitrost manjšega orodja in lahko počijo.

9) DODATNA VARNOSTNA OPOZORILA, SPECIFIČNA ZA PESKANJE

- a. **Ne uporabljajte prevelikega koluta z brusnim papirjem.** Pri izbiri brusnega papirja upoštevajte priporočila proizvajalca. Večji brusni papir, ki sega preko brusilne plošče, predstavlja tveganje za trganje in lahko povzroči zaskočitev, trganje s koluta ali povratni udarec.
- b. **Prilagodite hitrost orodja, kot je priporočeno za aplikacije za peskanje.** Peskanje pri visoki hitrosti predstavlja nevarnost za raztrganine in opekline.

DODATNA VARNOSTNA OPOZORILA



Nosite zaščito za sluh; Nosite zaščito za oči; Nosite protiprašno masko; Nosite zaščitne rokavice.

- a. **Uporabite primerne detektorje, da ugotovite, ali so komunalne napeljave skrite v delovnem območju ali se za pomoč obrnite na lokalno komunalno podjetje.** Stik z električnimi vodniki lahko povzroči požar in električni udar. Poškodovanje plinskega voda lahko povzroči eksplozijo. Preluknjanje vodovodnih vodov povzroči poškodbe lastnine ali lahko povzroči električni udar.
- b. **Sprostite stikalo On/Off (Vkllop/Izklop) in ga pomaknite v položaj Off (Izklop), ko je napajanje prekinjeno,** npr. v primeru izpada električne energije ali pri izvleku omrežnega vtiča.
- c. **Ne dotikajte se plošč za brušenje in rezanje, dokler se ne ohladijo.** Med delom lahko plošče postanejo zelo vroče.
- d. **Pritrdite obdelovanca.** Obdelovanec, ki je pritrjen z vpenjalnimi napravami ali v primežu, je bolj trdno, kot če bi ga držali z roko.



OPIS IN SPECIFIKACIJE I ZDELKA

Preberite vsa opozorila in navodila. Neupoštevanje opozoril in navodil lahko povzroči električni udar, požar in/ali hude telesne poškodbe.

NAMEN UPORABE

Stroj je namenjen za brušenje in peskanje. Stroj je zasnovan in izdelan za uporabo z dodatki, ki jih dobavi proizvajalec. Stroj se lahko uporablja samo za suho uporabo brez uporabe vode.


10) CE - IZJAVA O SKLADNOSTI

Družba Arbortech izjavlja, da je izdelek PWC. FG.900.60 opisan v tem priročniku v poglavju »Tehnične specifikacije«, izdelan v skladu s standardiziranimi dokumenti EN 60745, Direktivi EMC 2014/30/EU in RoHS 2011/65/EU.

Tehnična datoteka v skladu z Direktivo o strojih 2006/42/ES na: Arbortech PTY LTD | 67 Westchester Road, Malaga, WA 6090

Sven Blicks
General Manager

Moč	230-240	V
Ocena moči	1000	W
Pogostost	50	Hz
Zaščitni razred	II	II
Nazivna hitrost	2 000 – 12 000	rpm
Premjer orodja	115	mm
Velikosti montažne izvrtine	22.2	mm
Velikost montažnega vi-jaka	M14	-
Teža	2.35	kg
Emisija vibracij (k = 1,5)	9.58	m/s ²
Raven zvočnega tlaka	$L_{wa} = 90$ $K_{va} = 3$	dB(A)
Raven zvočne moči	$L_{wa} = 101$ $K_{wa} = 3$	dB(A)

 **OPOZORILO:** Navedena raven emisij tresljajev predstavlja glavne uporabe orodja. Če se orodje uporablja za različne aplikacije, z različnimi dodatki ali orodji za vstavljanje ali pa je slabo vzdrževano, se lahko emisije tresljajev razlikujejo. Na ta način se lahko raven izpostavljenosti v celotnem delovnem obdobju bistveno poveča.

Pri oceni stopnje izpostavljenosti tresljajem je treba upoštevati tudi čas, ko je orodje izklopljeno ali ko deluje, vendar dejansko ne opravlja dela. Na ta način se lahko raven izpostavljenosti v celotnem delovnem obdobju bistveno zmanjša. Identificirajte dodatne varnostne ukrepe, da upravljavca zaščitite pred učinki tresljajev.

SESTAVLJANJE

! **OPOZORILO:** Da bi zmanjšali tveganje hudih telesnih poškodb, pred odstranjevanjem / nameščanjem orodja ali dodatkov izklopite orodje in ga odklopite iz vira napajanja.

POMOŽNI ROČAJ

Ročico (2) privijte v eno od stranskih lukenj na glavi mlinca, kot je prikazano na sliki Fig. A. Pred uporabo poskrbite, da je ročaj dobro pritrjen.

KOVINSKA ZAŠČITA

Pri uporabi brusnega kolesa najprej namestite kovinski zaščitni pokrov (5) na objemko (10) in zavrtite zaščito na orodju, tako da je zaprta stran zaščite vedno usmerjena proti upravljalvcu, kot je prikazano na sliki C. Zategnite vijak (12) tako, da se zaščita ne more premakniti iz položaja.

PRIROBNICE IN KOLESA

Pritrdilno prirobnico (7) namestite na vreteno (9) tako, da je reža usmerjena tako, da se zaskoči z vretenom. Namestite ploščo in jo pravilno namestite na prirobnico, nato privijte protimatico (8). Pritisnite ključavnico vretena (6) in zategnite protimatico s ključem (13).

Za montažo in delovanje drugih Arbortechovih dodatkov prosimo glejte njihova posebna navodila.

LOVILEC ODTRDKOV IN BRUSNA BLOGA

Ko uporabljate brusilno blazinico, najprej namestite lovilec odrezkov (17) na obroč (10), nato pa privijte pomožni ročaj (2) in stranski vijak (18). Zategnite brusilno blazinico (16) preko vretena brez podporne prirobnice.

DELOVANJE

! **OPOZORILO:** Vedno preberite varnostna navodila in veljavne predpise. Da bi zmanjšali tveganje poškodb, orodje pred odstranjevanjem / nameščanjem dodatkov izklopite in odklopite iz vira napajanja

- Elektromotor je zasnovan za napetost, navedeno na etiketi.** Vedno preverite, ali napajalnik ustreza napetosti, označeni na motorju.
- Vedno nosite ustrezno zaščitno obleko, vključno z zaščito za ušesa, oči in pljuča.**
- Pri delu z materiali, ki so obdelani s strupenimi snovmi ali pa jih vsebujejo, upoštevajte varnostne predpise lokalne vlade.**

- Tega orodja ne uporabljajte v vlažnih pogojih ali v prisotnosti vnetljivih tekočin in plinov.**
- Pred uporabo preverite orodje.** Brusna plošča mora biti pravilno nameščena tako da se lahko prosto premika. Pred uporabo preizkusite električno orodje brez obremenitve. Ne uporabljajte poškodovanih, nenacentriranih ali vibracijskih orodij.
- Ne pritiskajte in ne naprezajte stroja tako močno, da se ustavi.** Po močnem naprezanju električnega orodja nadaljujte z delovanjem brez obremenitve eno minuto, da se pribor ohladi.
- Ne dotikajte se rezalnih orodij, preden se ohladijo.** Med delom lahko diski postanejo zelo vroči.

! **OPOZORILO:** Za upravljanje tega orodja vedno uporabite obe roki, tako da levo roko položite na pomožni ročaj in desno na telo orodja, tako da lahko kadarkoli vklopite in izklopite motor. Pri uporabi tega orodja vedno uporabljajte zaščitne rokavice.

Zagotovite, da je za aplikacijo izbrana ustrezna nastavitev hitrosti iz spodnje tabele. Podprite in zavarujte obdelovano stvar, da preprečite premikanje in izgubo nadzora.

Prepričajte se, da stroj deluje, preden pričnete z obdelovanjem. Previdno se približajte obdelovanju, da se izognete nenadnemu prirežu in nežno potisnite proti njej. Brusilnik držite pod kotom 15 ° -30 ° za brušenje in 5 ° -30 ° za peskanje, kot je prikazano na sliki D. Orodje premaknite v zeleno smer, držite stik med obdelovano stvarjo in ploščo.

Dodatna oprema	Nasta-vitev hit-rosti	Uporaba
Brusni disk	5 – 6	Brušenje
Brusna plošča	1 – 3	Peskanje lesa, kovine in drugih materialov. Uporabite nižjo hitrost z višjim peskanim papirjem

VKLOP IN IZKLOP

Za zagon električnega orodja pritisnite stikalo za vklop / izklop (3) naprej. Če želite stikalo zakleniti, ga spredaj potisnite navzdol, da se zaskoči. Če želite izklopiti orodje, sprostite stikalo za vklop / izklop ali, če je zaklenjeno, na kratko pritisnite zadnjo stran stikala in ga spustite.

! **OPOZORILO:** Orodje vključuje funkcijo preprečevanja ponovnega zagona, ki preprečuje nenadzorovan ponovni zagon po prekinitvi napajanja. Za nadaljevanje delovanja, orodje preklopite v položaj za izklop in ga ponovno zaženite.

VZDRŽEVANJE



OPOZORILO: Pred kakršnimi koli nastavitvami, čiščenjem ali vzdrževalnimi deli stroj izklopite iz napajanja.

Pripomočke preverite glede poškodb in jih vzdržujte v skladu z navodili za uporabo. Če je zaščitni pokrovček poškodovan ali se deli zaščite izgubijo in se lahko ločijo, zamenjajte poškodovane dele. Orodja ne uporabljajte brez ustrezne zaščite za predvideno uporabo.

Zaradi vaše varnosti in zanesljivosti tega izdelka morajo vsa električna popravila in vzdrževanje notranjih delov, razen vzdrževanja dodatkov in priključkov, izvesti pooblašteni servisni centri podjetja Arbortech.

ČIŠČENJE ZRAČNIH VENTILOV IN STIKALA

Redno preverjajte, ali je v prezračevalne odprtine, ki so nameščena na sprednji in zadnji strani motorja (14 in 15) ali pod stikalo za vklop / izklop, prodrli prah ali tujki. Če je tako, uporabite mehko krtačo, da odstranite nabrani prah za čiščenje prezračevalnih odprtin in stikalo. Pripomočke očistite pred prahom, da preprečite njegovo kopičenje in preprečite nepravilno montažo, nastavev in prilagoditev.

OPCIJSKI DODATKI

Da bi se izognili nevarnosti poškodb ali poškodb vašega orodja, uporabite samo Arbortechovo dodatno opremo in dodatke. Glede razpoložljivosti dodatne opreme se posvetujte s svojim prodajalcem

Fig. B

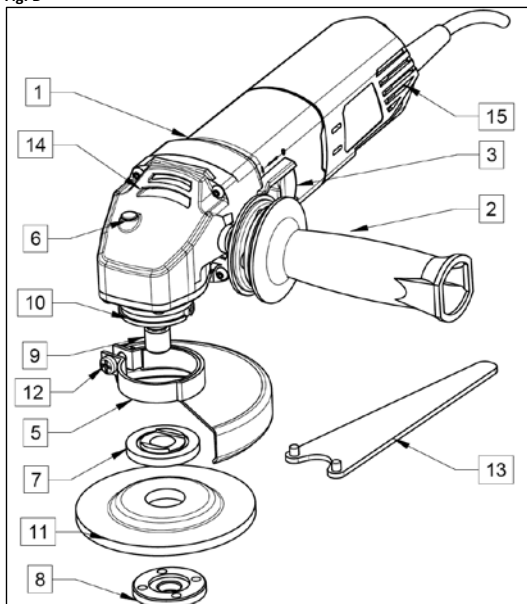


Fig. A

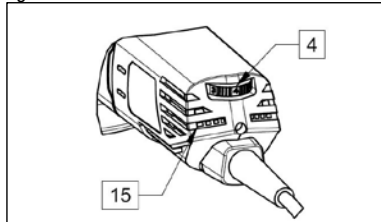


Fig. C

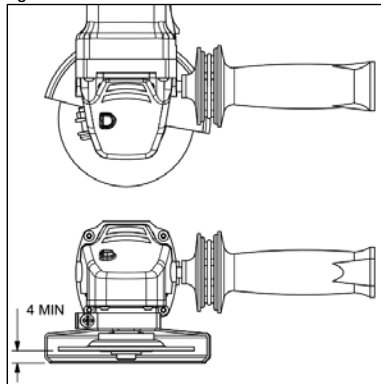


Fig. E

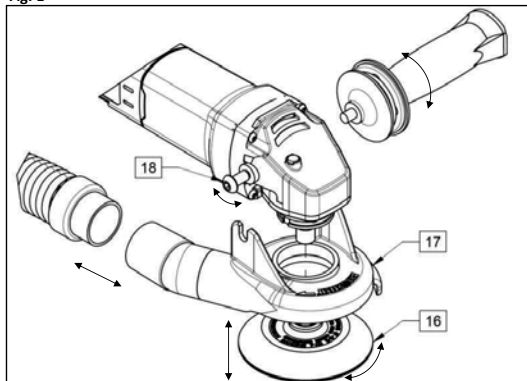
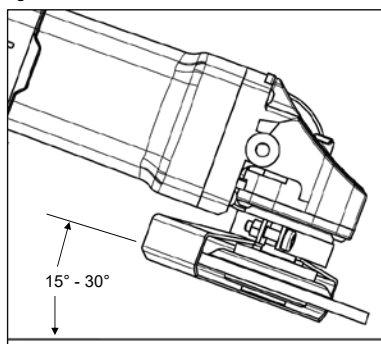


Fig. D



1	Cuerpo de la amoladora angular	7	Flanje de apoyo	13	Llave de perno
2	Manija auxiliar	8	Tuerca de seguridad	14	Ventilaciones delanteras
3	Interruptor On/Off de encendido y apagado	9	Huso	15	Ventilaciones traseras
4	Configuración de la Velocidad	10	Collar de molinillo	16	Almohadilla para lijar
5	Protector de metal	11	Disco de amolado	17	Chip Catcher
6	Botón de bloqueo del eje	12	Tornillo protector de sujeción	18	Tornillo lateral



ADVERTENCIAS DE SEGURIDAD GENERALES PARA HERRAMIENTAS ELÉCTRICAS



ADVERTENCIA - LEA TODAS LAS ADVERTENCIAS DE SEGURIDAD, INSTRUCCIONES, ILUSTRACIONES Y ESPECIFICACIONES PROPORCIONADAS CON ESTA HERRAMIENTA ELÉCTRICA.

El incumplimiento de las advertencias e instrucciones podría provocar una descarga eléctrica, un incendio y/o lesiones graves.

CONSERVE TODAS LAS ADVERTENCIAS E INSTRUCCIONES PARA FUTURAS CONSULTAS

El término "herramienta eléctrica" que aparece en las advertencias se refiere a la herramienta eléctrica que funciona a través de la red eléctrica (con cable) o a la herramienta eléctrica que funciona con batería (sin cable).

1) SEGURIDAD EN EL ÁREA DE TRABAJO

- Mantenga el área de trabajo limpia y bien iluminada.** Las áreas en desorden u oscuras pueden provocar accidentes.
- No utilice herramientas eléctricas en atmósferas explosivas, como ambientes donde haya polvo, gases o líquidos inflamables.** Las herramientas eléctricas originan chispas que pueden inflamar el polvo o los gases.
- Mantenga alejados a los niños y a las personas que estén cerca mientras utiliza una herramienta eléctrica.** Las distracciones pueden ocasionar que pierda el control

2) SEGURIDAD ELÉCTRICA

- Los enchufes de las herramientas eléctricas deben corresponderse con la toma de corriente.** No modifique nunca el enchufe de ninguna forma. No utilice ningún enchufe adaptador con herramientas eléctricas conectadas a tierra. Los enchufes no modificados y las tomas de corriente correspondientes reducirán el riesgo de descarga eléctrica.

- Evite el contacto del cuerpo con superficies conectadas a tierra como tuberías, radiadores, cocinas económicas y frigoríficos.** Existe un mayor riesgo de descarga eléctrica si tiene el cuerpo conectado a tierra.
- No exponga las herramientas eléctricas a la lluvia ni a condiciones húmedas.** Si entra agua a una herramienta eléctrica aumentará el riesgo de descarga eléctrica.
- No someta el cable de alimentación a presión innecesaria. No use nunca el cable para transportar, tirar de la herramienta eléctrica o desenchufarla.** Mantenga el cable alejado del calor, aceite, bordes afilados y piezas en movimiento. Los cables dañados o enredados aumentan el riesgo de descarga eléctrica.
- Cuando esté utilizando una herramienta eléctrica al aire libre, use un cable alargador adecuado para uso en exteriores.** La utilización de un cable adecuado para el uso en exteriores reduce el riesgo de descarga eléctrica.
- Si no puede evitar utilizar una herramienta eléctrica en un lugar húmedo, use un suministro protegido con un dispositivo de corriente residual.** El uso de un dispositivo de corriente residual reduce el riesgo de descarga eléctrica.

3) SEGURIDAD PERSONAL

- Manténgase alerta, esté atento a lo que hace y use el sentido común cuando utilice una herramienta eléctrica. No maneje una herramienta eléctrica cuando esté cansado o bajo los efectos de drogas, medicamentos o alcohol.** Un momento de falta de atención cuando se manejan las herramientas eléctricas puede ocasionar lesiones personales graves.
- Use un equipo protector personal. Utilice siempre protección ocular.** El uso del equipo protector como mascarillas antipolvo, calzado antideslizante, casco o protección auditiva para condiciones apropiadas reducirá las lesiones personales.
- Evite la puesta en funcionamiento involuntaria. Asegúrese de que el interruptor esté en posición de apagado antes de conectar con la fuente de alimentación y/o la batería, de levantar o transportar la herramienta.** El transportar herramientas eléctricas con el dedo puesto en el interruptor o herramientas eléctricas activadoras que tengan el interruptor encendido puede provocar accidentes.
- Saque toda llave de ajuste o llave inglesa antes de encender la herramienta eléctrica.** Una llave inglesa u otra llave que se deje puesta en una pieza en movimiento de la herramienta eléctrica pueden ocasionar lesiones personales.

- e. **No intente extender las manos demasiado. Mantenga un apoyo firme sobre el suelo y conserve el equilibrio en todo momento.** Esto permite un mejor control de la herramienta eléctrica en situaciones inesperadas.
- f. **Vístase debidamente. No se ponga ropa suelta o joyas. Mantenga el pelo, la ropa y los guantes alejados de las piezas móviles.** La ropa suelta, las joyas y el pelo largo pueden quedar atrapados en las piezas en movimiento.
- g. **Si se suministran dispositivos para la conexión del equipo de extracción y recogida de polvo, asegúrese de que estén conectados y de que se usen adecuadamente.** El uso de equipo de recogida de polvo puede reducir los riesgos relacionados con el polvo.
- h. **Evite que el conocimiento adquirido por el uso frecuente de herramientas le induzca a volverse complaciente e ignorar la seguridad de herramientas.** Una acción descuidada puede causar lesiones graves en fracciones de segundo.

4) USO Y CUIDADO DE LAS HERRAMIENTAS ELÉCTRICAS

- a. **No fuerce la herramienta eléctrica. Use la herramienta eléctrica correcta para su trabajo.** La herramienta eléctrica correcta funcionará mejor y con mayor seguridad si se utiliza de acuerdo con sus características técnicas.
- b. **No utilice la herramienta eléctrica si no puede encenderse y apagarse con el interruptor.** Toda herramienta eléctrica que no pueda controlarse con el interruptor es peligrosa y debe ser reparada.
- c. **Desconecte el enchufe de la fuente de alimentación y/o la batería de la herramienta eléctrica antes de realizar ajustes, cambiar accesorios o guardar las herramientas eléctricas.** Dichas medidas de seguridad preventivas reducen el riesgo de poner en marcha la herramienta eléctrica accidentalmente.
- d. **Guarde las herramientas eléctricas que no esté utilizando fuera del alcance de los niños y no permita que utilicen la herramienta eléctrica las personas que no estén familiarizadas con ella o con estas instrucciones.** Las herramientas eléctricas son peligrosas en manos de personas no capacitadas.
- e. **Ocúpese del mantenimiento de las herramientas eléctricas. Compruebe si hay desalineación o bloqueo de las piezas en movimiento, rotura de piezas y otras condiciones que puedan afectar el funcionamiento de la herramienta eléctrica. Si la herramienta eléctrica está dañada, llévela para que sea reparada antes de utilizarla.** Se ocasionan muchos accidentes por el mal mantenimiento de las herramientas eléctricas.

- f. **Mantenga las herramientas para cortar afiladas y limpias.** Hay menos probabilidad de que las herramientas para cortar con bordes afilados se bloqueen y son más fáciles de controlar
- g. **Use la herramienta eléctrica, los accesorios y las brocas de la herramienta etc., conforme a estas instrucciones teniendo en cuenta las condiciones de trabajo y el trabajo que vaya a realizarse.** El uso de la herramienta eléctrica para operaciones que no sean las previstas puede ocasionar una situación peligrosa
- h. **Mantenga las asas y las superficies de agarre secas, limpias y exentas de aceite y grasa.** Las asas y superficies de agarre resbaladizas impiden un manejo y control seguros de la herramienta en situaciones inesperadas.

5) SERVICIO

- a. **Lleve su herramienta eléctrica para que sea reparada por una persona cualificada para realizar las reparaciones que use sólo piezas de recambio idénticas.** Así se asegurará que se mantenga la seguridad de la herramienta eléctrica.



MOLINO ANGULAR ADVERTENCIAS DE SEGURIDAD

6) ADVERTENCIAS DE SEGURIDAD COMUNES PARA OPERACIONES DE RECTIFICADO, LIJADO O TALLADO DE MADERA

- a. **Esta herramienta eléctrica está diseñada para trabajar como una amoladora y lijadora. Lea todas las advertencias de seguridad, instrucciones, ilustraciones y especificaciones proporcionadas con esta herramienta eléctrica.** La inobservancia de todas las instrucciones enumeradas abajo puede provocar descargas eléctricas, incendios y/o lesiones graves.
- b. **No se recomienda el uso de esta herramienta eléctrica para operaciones de pulido.** Su uso para operaciones para las que la herramienta no ha sido diseñada puede ocasionar peligro y lesiones personales.
- c. **No utilizar accesorios que no estén diseñados y recomendados específicamente por el fabricante de la herramienta.** El hecho de que el accesorio pueda acoplarse a la herramienta eléctrica no garantiza un funcionamiento sin riesgos.
- d. **La velocidad prevista del accesorio debe ser como mínimo igual a la velocidad máxima marcada en la herramienta eléctrica.** Los accesorios que funcionen más rápido que su velocidad prevista pueden romperse y salir volando.

- e. **El diámetro externo y el grosor del accesorio deben estar dentro de la capacidad de su herramienta eléctrica.** Los accesorios de tamaño incorrecto no pueden protegerse o controlarse adecuadamente.
- f. **El montaje a rosca de accesorios debe coincidir con la rosca del eje de la amoladora. Para los accesorios instalados por bridas, el orificio del eje del accesorio debe adaptarse al diámetro de la brida.** Los accesorios que no se corresponden con las piezas de montaje de la herramienta eléctrica se desequilibrarán, vibrarán excesivamente y pueden causar pérdida de control.
- g. **No utilice un accesorio dañado. Antes de cada uso inspeccione el accesorio, como por ejemplo la muela abrasiva, para verificar si tiene muescas o grietas, el plato portadiscos para verificar si tiene grietas o roturas o si está muy desgastado, la escobilla de alambre para comprobar si tiene alambres sueltos o agrietados. Si se cae la herramienta eléctrica o un accesorio, inspecciónelos para comprobar si están dañados o instale un accesorio no dañado. Después de inspeccionar e instalar un accesorio, colóquese usted y las personas presentes alejados del plano del accesorio en movimiento y ponga la herramienta eléctrica en funcionamiento a la velocidad sin carga máxima durante un minuto.** Los accesorios dañados normalmente se romperán durante este periodo de prueba.
- h. **Póngase un equipo de protección personal. Dependiendo de la aplicación, use un protector facial y gafas protectoras. Si corresponde, póngase una mascarilla antipolvo, protectores para el oído, guantes y un delantal de trabajo que pueda detener pequeños fragmentos abrasivos o de la pieza de trabajo.** La protección ocular debe poder detener las partículas volantes que se producen con varias operaciones. La mascarilla antipolvo o el respirador deben poder filtrar las partículas generadas por la operación que esté realizando. La exposición prolongada al ruido de intensidad elevada puede causar pérdida auditiva.
- i. **Mantenga a las personas que estén cerca a una distancia de seguridad del área de trabajo. Todos los que entren al área de trabajo deben llevar puesto un equipo de protección personal.** Los fragmentos de una pieza de trabajo o de un accesorio roto pueden salir volando y ocasionar una lesión mas allá del área inmediata de operación.
- j. **Aferre la herramienta eléctrica solo por las superficies de agarre aisladas cuando realice una operación en la cual el accesorio de corte pudiera entrar en contacto con cables ocultos o con su propio cable.** El contacto del accesorio de corte con un cable cargado, puede cargar las partes metálicas expuestas de la herramienta eléctrica y producir una descarga eléctrica al operador.
- k. **Coloque el cable lejos del accesorio giratorio.** Si pierde el control, el cable puede cortarse o engancharse y puede arrastrar a la mano o el brazo hacia el accesorio giratorio.
- l. **No deje nunca a un lado la herramienta eléctrica hasta que el accesorio se haya parado por completo.** El accesorio giratorio puede agarrarse a la superficie y hacer que usted pierda el control de la herramienta.
- m. **No ponga en funcionamiento la herramienta eléctrica mientras la transporte a su lado.** El contacto accidental con el accesorio giratorio podría hacer que se enganche la ropa y que el accesorio toque su cuerpo.
- n. **Limpie periódicamente los orificios de ventilación de la herramienta eléctrica.** El ventilador del motor traerá el polvo dentro de la caja protectora y la acumulación excesiva del metal en polvo puede ocasionar riesgos eléctricos.
- o. **No utilice la herramienta eléctrica cerca de materiales inflamables.** Las chispas podrían prender fuego a estos materiales.
- p. **No utilice accesorios que requieran líquidos refrigerantes.** El utilizar agua u otros refrigerantes líquidos puede ocasionar electrocución o descarga.

7) CAUSAS Y PREVENCIÓN DE REBOTE POR PARTE DEL OPERADOR

El rebote es una reacción repentina al quedar enganchados o atrapados una muela, plato portadiscos, cepillo u otro accesorio en movimiento. Al engancharse o quedar presionado un accesorio en movimiento, este se detiene rápidamente y a su vez causa que la herramienta eléctrica no controlada quede forzada en dirección opuesta a la rotación del accesorio en el punto del trabado. Por ejemplo, si una muela abrasiva se engancha o queda presionada por la pieza de trabajo, el borde de la muela que entra en el punto de presión puede incrustarse en la superficie del material ocasionando que la muela se salga o se trabe. La muela puede saltar hacia el operador o lejos de él, dependiendo de la dirección del movimiento de la muela en el punto de presión. Las muelas abrasivas pueden también romperse en estas condiciones. El rebote es el resultado del mal uso de la herramienta, o de procedimientos o condiciones de operación incorrectos y puede ser evitado si se toman las precauciones debidas, enumeradas a continuación:

- a. **Sujete firmemente la herramienta eléctrica y sitúe el cuerpo y el brazo de manera que pueda resistir la fuerza del rebote. Para un máximo control del rebote o reacción del par motor durante la puesta en funcionamiento utilice siempre la empuñadura auxiliar, si la hubiera.** El operador puede controlar la reacción del par motor o la fuerza del rebote, si se toman las precauciones adecuadas.

- b. **No ponga nunca la mano cerca del accesorio en movimiento.** El accesorio puede rebotarle en la mano.
- c. **No se sitúe en el área hacia donde vaya a moverse la herramienta eléctrica si ocurre un rebote.** El rebote impulsará a la herramienta en la dirección opuesta al movimiento de la muela en el momento del enganche.
- d. **Tenga especial cuidado cuando trabaje esquinas, bordes afilados, etc. Evite hacer rebotar o enganchar el accesorio.** Las esquinas, los bordes afilados o los rebotes tienen tendencia a enganchar el accesorio en movimiento y ocasionar pérdida de control o tensión de retroceso.
- e. **No acople una hoja de tallado de madera de sierra de cadena o una hoja de sierra dentada.** Dichas hojas ocasionan frecuentes rebotes y pérdida de control.
- f. **No coloque muelas de corte abrasivas reforzadas.** Tales herramientas pueden romperse y causar lesiones.

8) ADVERTENCIAS DE SEGURIDAD ESPECÍFICAS PARA OPERACIONES DE AMOLADO Y CORTE ABRASIVO

- a. **Utilice sólo tipos de muela que estén recomendados para su herramienta eléctrica y el protector específico diseñado para la muela seleccionada.** Las muelas para las que la herramienta eléctrica no ha sido diseñada no pueden protegerse adecuadamente y no son seguras.
- b. **La superficie de amolado de las muelas centrales bajadas debe montarse debajo del plano del borde del protector.** Una muela montada incorrectamente que se proyecta fuera del plano del borde del protector no puede estar correctamente protegida.
- c. **El protector debe estar bien sujeto a la herramienta eléctrica y posicionado para una seguridad máxima, de manera que la muela quede lo menos expuesta posible hacia el operador.** El protector ayuda a proteger al operador de fragmentos de muela rotos y del contacto accidental con la muela y las chispas que podrían incendiar la ropa.
- d. **Las muelas deben utilizarse únicamente para las aplicaciones recomendadas. Por ejemplo: no amole con el lado de una muela de corte.** Las muelas de corte abrasivo están previstas para el amolado periférico, y si se aplican fuerzas laterales a estas muelas pueden provocar que se rompan.
- e. **Use siempre bridas de muela no dañadas que sean del tamaño y forma correctos para la muela seleccionada.** Las bridas de muela apropiadas sirven de soporte para la muela,

reduciendo así la posibilidad de rotura de la misma. Las bridas de las muelas de corte pueden ser diferentes de las bridas de las muelas para amolado.

- f. **No utilice muelas desgastadas de herramientas eléctricas más grandes.** Una muela diseñada para una herramienta eléctrica más grande no es adecuada para la mayor velocidad de una herramienta más pequeña y puede explotar.

9) ADVERTENCIAS DE SEGURIDAD ESPECÍFICAS PARA OPERACIONES DE LIJADO

- a. **No utilice papel de disco de lijado de un tamaño excesivamente grande. Siga las recomendaciones del fabricante al seleccionar el papel de lijado.** El papel de lijado grande que sobresalga del disco de lijado presenta un riesgo de laceración y puede ocasionar el enganche o rotura del disco o un rebote.
- b. **Ajuste la velocidad del como se recomienda para aplicaciones de lijado.** El lijado a alta velocidad puede originar riesgo de laceración y quemaduras.

⚠️ ADVERTENCIAS DE SEGURIDAD ADICIONALES



Use protector de oídos, gafas y guantes de protección y mascarilla antipolvo.

- a. **Use detectores adecuados para determinar si existen conductos de servicio ocultos en el área de trabajo o llame a la empresa de servicios local para obtener ayuda.** El contacto con conductores eléctricos puede provocar incendios y descargas eléctricas. Los daños causados en conductos de gas pueden provocar explosiones. La perforación de un conducto de agua puede causar daños materiales o descargas eléctricas.
- b. **Suelte el interruptor de conexión/desconexión y póngalo en la posición de desconexión si la alimentación eléctrica está interrumpida,** p. ej. en caso de fallo eléctrico o si se ha extraído el enchufe de alimentación.
- c. **No toque las muelas de desbaste y corte antes de que se hayan enfriado.** Las muelas pueden calentarse mucho durante el trabajo.
- d. **Proteja la pieza.** Una pieza sujeta con dispositivos de sujeción o en un tornillo de banco se mantiene más segura que con la mano.

DESCRIPCIÓN Y ESPECIFICACIONES DEL PRODUCTO



Read all safety warnings and all instructions. Failure to follow the warnings and instructions may result in electric shock, fire and/or serious injury.

USO PREVISTO

La máquina está diseñada para aplicaciones de rectificado y lijado. La máquina está diseñada y construida para su uso con accesorios suministrados por el fabricante. La máquina solo se puede utilizar para aplicar en superficies secas sin el uso del agua.

10) DECLARACIÓN DE CONFORMIDAD CE:

Arbortech declara que el producto PWC.FG.900.60 descrito en este manual bajo "Especificaciones técnicas" está fabricado de acuerdo con documentos estandarizados EN 60745, Directivas EMC 2014/30 / EU y RoHS 2011/65 / EU.

Documentación técnica de acuerdo con la directiva de máquinas 2006/42/CE en: Arbortech PTY LTD | 67 Westchester Road, Malaga, WA 6090

Sven Blicks
Gerente Generale

Voltage	230-240	V
Power Rating	1000	W
Frequency	50	Hz
Protection Class	II	II
Rated Speed	2 000 – 12 000	rpm
Tool Max. Diameter	115	mm
Mounting Bore Size	22.2	mm
Mounting Thread Size	M14	-
Weight	2.35	kg
Vibration Emission (k=1.5)	9.58	m/s ²
Sound Pressure Level	$L_{WA} = 90$ $K_{WA} = 3$	dB(A)
Sound Power Level	$L_{WA} = 101$ $K_{WA} = 3$	dB(A)

ADVERTENCIA: El nivel de emisión de vibraciones declarado se asocia con las aplicaciones principales de la herramienta. Sin embargo, si la herramienta se utiliza para aplicaciones distintas, con diferentes accesorios o herramientas de inserción o se somete a un mantenimiento deficiente, la emisión de vibraciones puede variar. Ello puede aumentar considerablemente el nivel de exposición durante todo el periodo de trabajo.

Una estimación del nivel de exposición a vibraciones también debería tener en cuenta los periodos en que la herramienta está desconectada o cuando está funcionando pero no realiza realmente el trabajo. Ello puede reducir significativamente el nivel de exposición durante todo el periodo de trabajo. Identifique medidas de seguridad adicionales para proteger al operario contra los efectos de vibraciones.

MONTAJE

ADVERTENCIA: Para reducir el riesgo de lesiones personales graves, apague la herramienta y desconéctela de la fuente de alimentación antes de realizar ajustes o quitar / instalar herramientas o accesorios.

MANIJA AUXILIAR

Enrosque la manija (2) en uno de los orificios laterales de la cabeza de la amoladora como se muestra en Fig. A. Asegúrese de que la manija esté segura antes de usar.

PROTECTOR DE METAL

Cuando use una muela abrasiva, primero instale el protector metálico (5) sobre el collar (10) y gire el seguro en la herramienta de manera que el lado cerrado del seguro siempre apunte hacia el operador como se muestra en la Fig. C. Apriete el tornillo (12) por lo que el seguro no puede moverse fuera de posición.

BRIDAS Y RUEDAS

Monte la brida de apoyo (7) en el eje (9) con la ranura orientada de manera que se trabaje con el eje. Coloque el disco, asegurándose de que se asiente correctamente en la brida, luego atornille la contratuerca (8). Presione el bloqueo del eje (6) y apriete la tuerca de bloqueo con la llave de perno (13).

Para la instalación y el funcionamiento de otros accesorios de Arbortech, por favor consulte sus instrucciones específicas.

COLECTOR DE POLVO DE MADERA Y ALMOHADILLA DE LIJADO

Cuando use una almohadilla de lijado, primero instale el recolector de polvo de madera (17) en el collar (10), luego apriete la manija auxiliar (2) y el tornillo lateral (18). Apriete la almohadilla de lijado (16) en el eje sin la brida de respaldo.

FUNCIONAMIENTO

! **ADVERTENCIA:** siempre lea las instrucciones de seguridad y las regulaciones aplicables. Para reducir el riesgo de lesiones, apague la herramienta y desconéctela de la fuente de alimentación antes de realizar cualquier ajuste o quitar / instalar accesorios

- a) El motor eléctrico ha sido diseñado para el voltaje indicado en la etiqueta.** Compruebe siempre que la fuente de alimentación corresponde al voltaje marcado en el motor.
- b) Siempre use la ropa de seguridad correcta, incluida la protección de oídos, ojos y pulmones.**
- c) Siga las normas de seguridad del gobierno local cuando trabaje con materiales tratados o que contengan sustancias tóxicas.**
- d) No utilice esta herramienta en condiciones húmedas o en presencia de líquidos y gases inflamables.**
- e) Revise la herramienta antes de usar.** El disco de molienda debe montarse correctamente y poder moverse libremente. Pruebe a ejecutar la herramienta eléctrica sin carga antes de usarla. No utilice herramientas dañadas, descentradas o vibrantes.
- f) No ejerza presión ni fuerce la máquina tan fuerte que se detenga.** Después de forzar fuertemente la herramienta eléctrica, continúe ejecutándola sin carga durante un minuto para enfriar el accesorio.
- g) No toque las herramientas de corte antes de que se hayan enfriado.** Los discos pueden calentarse mucho mientras se trabaja.

! **ADVERTENCIA:** utilice siempre las dos manos para operar esta herramienta eléctrica, colocando la mano izquierda en el mango auxiliar y la derecha en el cuerpo de la herramienta para que pueda encender y apagar el motor en cualquier momento. Siempre use guantes protectores mientras opera esta herramienta.

Asegúrese de seleccionar la configuración de velocidad adecuada para la aplicación en la tabla a continuación. Sujete y asegure la pieza de trabajo para evitar el movimiento y la pérdida de control.

Asegúrese de que la máquina esté funcionando antes de entrar en contacto con la pieza de trabajo. Acérquese a la pieza de trabajo con precaución para evitar un agarre repentino y empuje suavemente contra ella. Sostenga la amoladora en un ángulo de 15 ° -30 ° para pulir y 5 ° -30 ° para lijar, como se muestra en la Fig. D. Mueva la herramienta en la dirección deseada, manteniendo el contacto entre la pieza de trabajo y el disco.

Accesorio	Configuración de la Velocidad	Aplicación
Disco de amolado	5-6.	Esmerilado
almohadilla para lijar	1 - 3	Lijado de madera, metal y otros materiales. Utilice una velocidad más baja con un papel de lija de mayor numeración

ENCENDIDO Y APAGADO

Para arrancar la herramienta eléctrica, empuje el interruptor de encendido / apagado (3) hacia adelante. Para bloquear el interruptor, presiónelo hacia abajo en la parte frontal hasta que encaje. Para apagar la herramienta, suelte el interruptor de encendido / apagado o, si está bloqueado, presione por poco tiempo la parte posterior del interruptor y suéltelo.

! **ADVERTENCIA:** La herramienta incluye una función de prevención de reinicio, que evita el reinicio incontrolado después de una interrupción de la fuente de alimentación. Para reanudar la operación, coloque la herramienta en la posición de apagado y vuelva a encender la máquina.

MANTENIMIENTO

! **ADVERTENCIA:** Antes de realizar cualquier ajuste, limpieza o mantenimiento en la máquina, desconéctela de la fuente de alimentación.

Inspeccione los accesorios en busca de daños y manténgalos como se especifica en su manual del usuario. Si se rompe la protección o si se pierden partes de la protección y se pueden desmontar, reemplace las piezas dañadas. No utilice la herramienta sin la protección adecuada especificada para la aplicación prevista.

Para su seguridad y la confiabilidad de este producto, los centros de servicio autorizados de Arbortech deben realizar todas las reparaciones eléctricas y el mantenimiento de las piezas internas, excepto el mantenimiento de accesorios.

LIMPIEZA DE LAS SALIDAS DE AIRE Y EL INTERRUPTOR

Verifique regularmente si ha entrado polvo o material extraño en las rejillas de ventilación, ubicadas en la parte delantera y trasera del motor (14 y 15), o debajo del interruptor de encendido / apagado. Si es así, use un cepillo suave para eliminar el polvo acumulado para limpiar las salidas de aire y el interruptor. Limpie los accesorios del polvo para evitar acumulaciones y evitar el montaje, la configuración y los ajustes incorrectos.

ACCESORIOS OPCIONALES

Para evitar el riesgo de lesiones o daños a su herramienta, use solo los accesorios recomendados por Arbortech. Consulte a su distribuidor la disponibilidad de accesorios opcionales.



www.arbortechtools.com

ARBORTECH PTY LTD

Address:

67 WESTCHESTER ROAD MALAGA 6090
PERTH WESTERN AUSTRALIA

Tel: 08 9249 1944 Fax: 08 9249 2936

U.S.A. -Tollfree: 866-517-7869

U.S.A Office: 978-466-7945 U.S.A Fax: 866-515-8104

EUROPE: Tel: +49 2724-288301 Fax: +49 2724-205515

Facebook: @arbortechtools

Email: arbortech@arbortech.com.au